

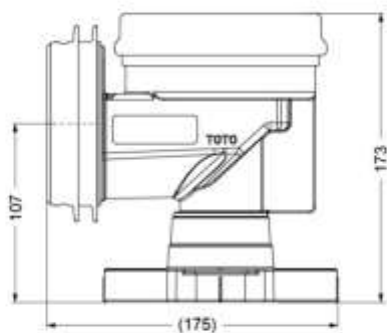
HP201TP#00



FEATURES

- Suitable for G5A, G5, G5Lite series.
- Convenient construction, safe and reliable.

HP201TP TOILET DRAIN



() 建议安装尺寸

SPECIFICS

Drainage mode :
Rear Drainage
Rough-in : 120±10mm