



FEATURES

- 180mm and 230mm toilet installation hole center distance, suitable for different toilets .
- 200mm adjustable length, suitable for different installation requirements .
- Convenient construction operation .

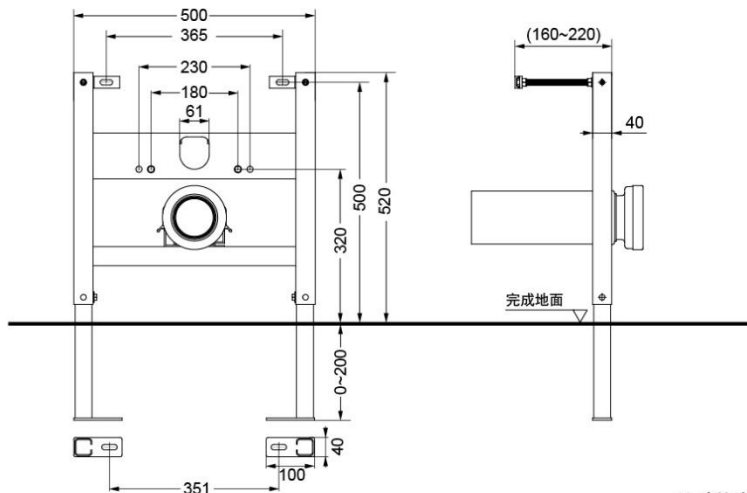
SPECIFICS

Size : 520x500x165mm



Please choose the downward drainage elbow in the case of downward drainage---**HP511T**

WH005B Wall-embedded holder



*下排水场合请选购下排式排水弯管HP511T

() 建议安装尺寸

OTHERS

Recommend fittings :
CW822series, CW553series,
CW562series.