

### FEATURES

- Fully automatic infrared sensing, Automatic human body induction, Automatic toilet flushing, Contactless, Use more peace of mind.
- Integral borderless panel, Brushed surface, Generous and concise appearance.
- Triple filter screen device, More durable to use.

### SPECIFICS

Size: 248x112x225mm

Power Source: AC220V(50HZ)

Water Inlet Requirement:  
0.07MPa(Dynamic Pressure)  
~0.75MPa(Static Pressure)

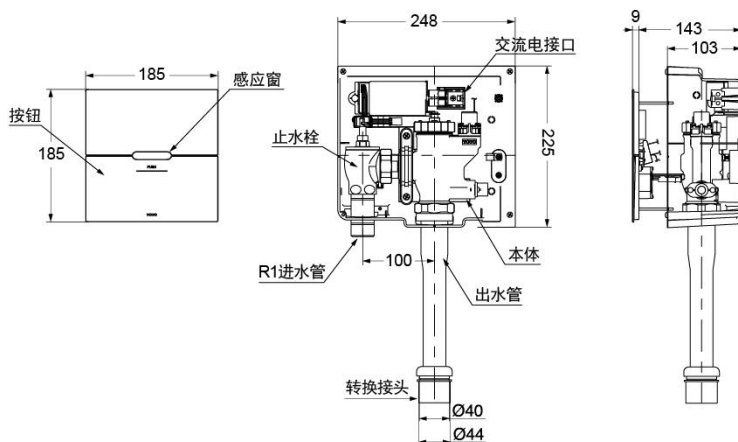
Flush Volume: 8L

Water efficiency grade:  
grade 3

Induction distance: 800mm  
sensitive time:  $\geq 6S$

Inlet water temperature:  
1-40°C

### TREF85U2CA In-wall Sensor Flush Valve (AC)



### OTHERS

Recommend fittings :  
CW8RB; CW7FVB