

FEATURES

- Fully automatic infrared sensing , Automatic human body induction , Automatic toilet flushing , Contactless , Use more peace of mind.
- Integral borderless panel , Brushed surface , Generous and concise appearance.
- Triple filter screen device , More durable to use.
- Stable flushing flow , Not affected by water pressure.

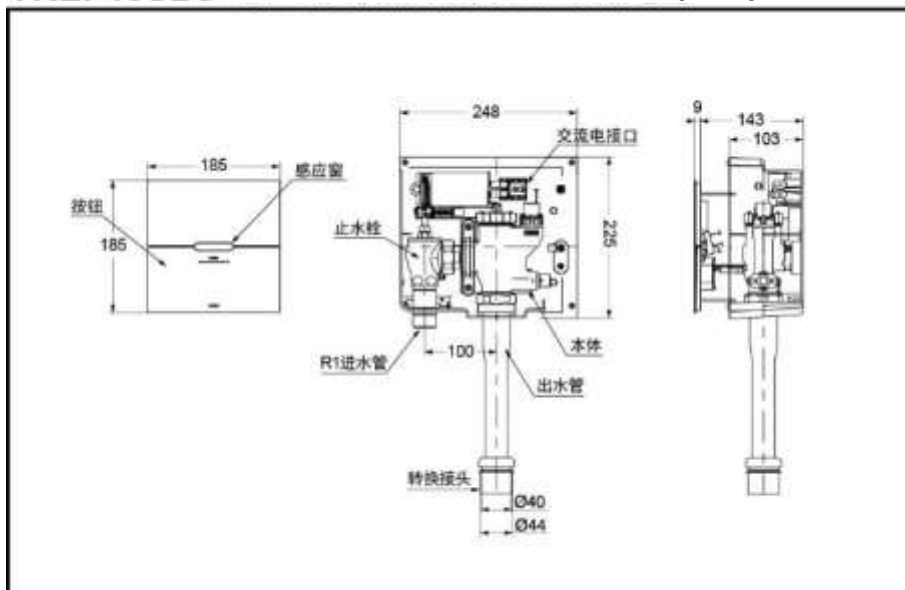
SPECIFICS

- Size : 248x112x225mm
- Power Source : AC220V(50HZ)
- Water Inlet Requirement : 0.1MPa(Dynamic Pressure) ~0.75MPa(Static Pressure)
- Flush Volume : 4.8L
- Water efficiency grade : grade 2
- Induction distance : 800mm
- sensitive time : $\geq 6S$
- Inlet water temperature : 1-40°C



WATER
SAVING

TREF45U2C In-wall Sensor Flush Valve (AC)



OTHERS

- Recommend fittings :
- CW822EB-45U2;
 - CW553B/EB-45U2;
 - CW562EB-45U2