

FEATURES

- Fully automatic infrared sensing , Automatic human body induction , Automatic toilet flushing , Contactless , Use more peace of mind.
- Integral borderless panel , Brushed surface , Generous and concise appearance.
- Triple filter screen device , More durable to use.
- Stable flushing flow , Not affected by water pressure.

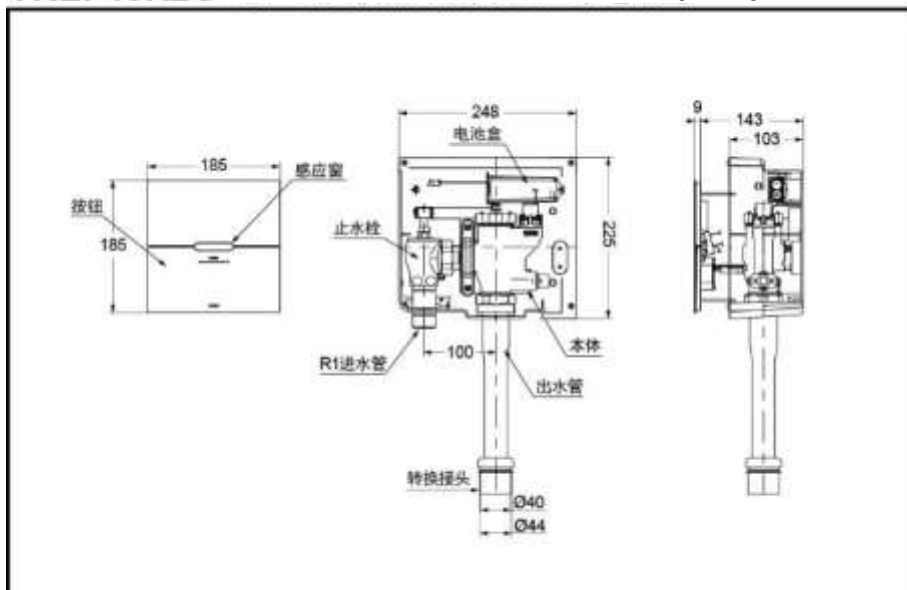
SPECIFICS

- Size : 248x112x225mm
 Power Source : DC2.1-3V(AA×2)
 Water Inlet Requirement : 0.1MPa(Dynamic Pressure) ~0.75MPa(Static Pressure)
 Flush Volume : 4.8L
 Water efficiency grade : grade 2
 Induction distance : 800mm
 sensitive time : ≥6S
 Inlet water temperature : 1-40°C



WATER SAVING

TREF45K2C In-wall Sensor Flush Valve (DC)



OTHERS

Recommend fittings : CW562EB-45K2