

PRODUCT SPECIFICATIONS

Tornado flushing technology, two levels of flushing water volume (5/3.5L), water-saving and environmental protection. Cefiontect applied. automatic flushing function, convenient and hygienic.

FEATURES

- Premist technique applied, prevents dirt attached.
- Tornado flushing system makes the best use of water in a strong, clean and quiet way .
- 5.0/3.5L flushing system, low consumption.
- Cefiontect applied. Debris, mold and bacteria being prevented from sticking to ceramic surfaces leads to fewer chemicals and water in cleaning
- Fully automatic infrared sensing, Automatic human body induction, Automatic toilet flushing, Contactless, Use more peace of mind.
- Integral borderless panel, Brushed surface, Generous and concise appearance.
- Triple filter screen device, More durable to use.
- Stable flushing flow, Not affected by water pressure.

RECOMMENDED PAIRING

- Toilet cover: TC400CVK-1; TC401CVK-1
- Washlet: S2series; S5series; S7series

COMPONENTS

- TREF75U2C **In-wall Sensor Flush Valve (AC)**
- CW582EB-75U2#XW **Flush Valve Toilets**

- TREF75K2C **In-wall Sensor Flush Valve (DC)**
- CW582EB-75K2#XW **Flush Valve Toilets**

COLORS






- silver (In-wall Sensor Flush Valve)
- white (Flush Valve Toilets)

CODES/STANDARDS

- Please refer to the label for product standards.

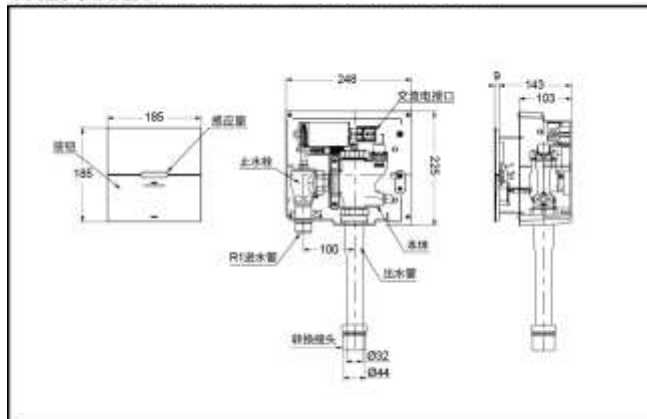


TECHNOLOGY & INNOVATION HIGHLIGHTS

-  CEFIONTECT
-  RIMLESS
-  TORNADO FLUSH
-  WATER SAVING
-  AUTO FLUSH

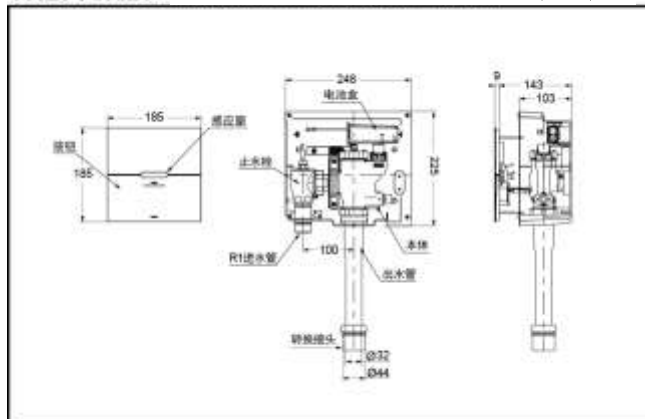
DIMENSIONAL DRAWINGS

TREF75U2C In-wall Sensor Flush Valve (AC)



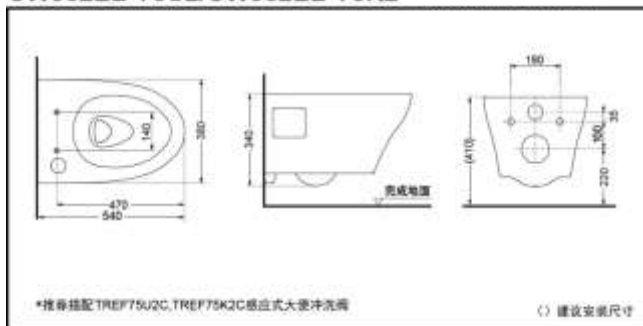
TOTO(CHINA) CO.,LTD. All rights reserved.

TREF75K2C In-wall Sensor Flush Valve (DC)



TOTO(CHINA) CO.,LTD. All rights reserved.

CW582EB-75U2/CW582EB-75K2 Flush Valve Toilets



TOTO(CHINA) CO.,LTD. All rights reserved.

SPECIFICATIONS

类型	冲洗阀部		坐便器部	
	TREF75U2C	TREF75K2C	CW582EB-75U2	CW582EB-75K2
产品尺寸	185×185×9mm (露出部)		540×380×335mm	
产品重量	约4.8Kg		约22.1Kg	
标准冲洗水量 (大/小)			5/3.5L	
名义冲洗水量			4L	
水效等级			1	
最低必要水压 (流动)	0.1MPa		—	
最高水压 (静止)	0.75MPa			
电源电压	AC:220V 50-60Hz	DC: 2.1V-3V		
人体感应距离	800mm			
人体感应时间	连续6秒时感应			
使用水温范围	1~40°C			
使用水	自来水			
进水管径	R1 (内径25mm)			