

# TOTO

## Washlet

### TCF6704KC#WC



Ewater+  
For  
Wand



Premist



Warm Air  
Drying



Deodorizer



Heated  
Seat

### FEATURES

- Brand new slim design with small-sized control panel. The seat cover is integral and seamless.
- Premist technique applied, prevents dirt attached.
- Ewater+ technology keeps nozzle always clean.

### SPECIFICS

Size: 530x472x147mm

Water Efficiency: Grade3

Water Inlet Requirement:  
0.05MPa(Dynamic  
Pressure)~0.75MPa(Static  
Pressure)

Power Source: 220V(50Hz)

Power: 310W

Max Power: 389W

Water Heating Mode:

Water Tank

Control: Control Panel

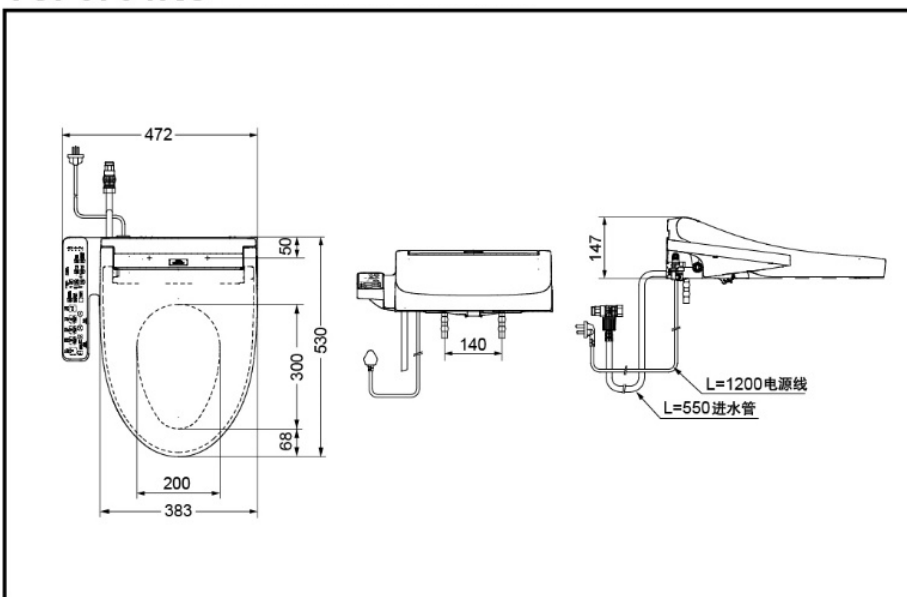
### OTHERS

Recommend fittings :

CW982BT305/SW982BT305;

CW982BT400/SW982BT400

### TCF6704KC Washlet



© TOTO(CHINA) CO.,LTD. All rights reserved.

TOTO(CHINA) CO.,LTD. www.toto.com.cn