

# TOTO

## Concealed Flush Tank (Auto Flush)

### WH173BAT



Auto  
Flush



Water  
Saving

### FEATURES

- 3.0L/4.5L dual flush design, auto flush.
- Thinner tank for only 85mm thickness, space saving and better adaptability.
- Fast loading design for tank fittings and panel, more easy for installation and maintenance.
- Water inlet manifold for washlet realizes power and water pipes invisible.

### SPECIFICS

Size: W580xD85xH1180mm  
Flush Volume: 3.0L/4.5L  
Water Inlet Requirement:  
0.05MPa(Dynamic Pressure)  
~0.75MPa(Static Pressure)  
Water Efficiency Grade:  
Grade 1

### Others

#### Recommend fittings :

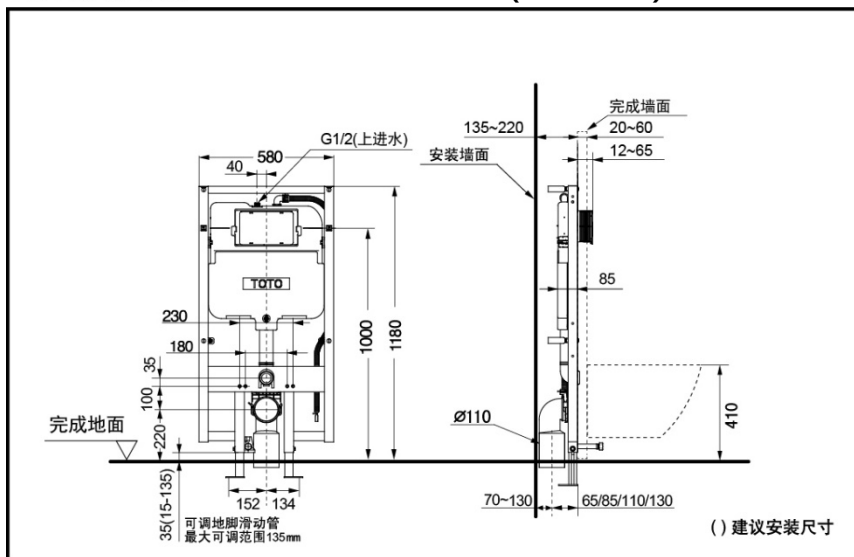
Tank Panel:

MB170 Series/MB174 Series/  
MB176G/MB171M/MB175M

Toilet:

CW522EB/CW542EB/  
CW572EB/CW822EB

### WH173BAT Concealed Flush Tank (Auto Flush)



\*TOTO(CHINA) CO.,LTD. All rights reserved.

TOTO(CHINA) CO.,LTD. www.toto.com.cn