



Water Saving

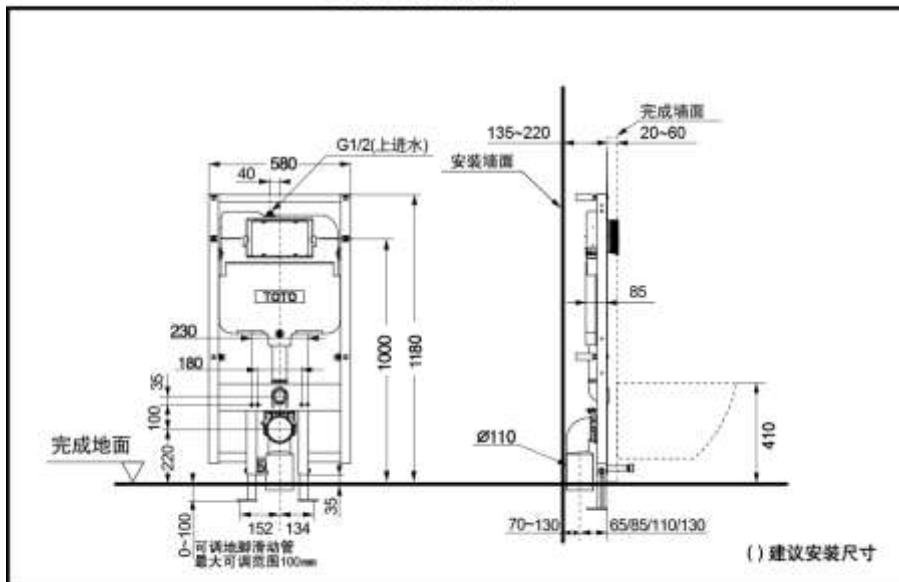
FEATURES

- 3.0L/4.5L dual flush design.
- Thinner tank for only 85mm thickness, space saving and better adaptability.
- Fast loading design for tank fittings and panel, more easy for installation and maintenance.
- Water inlet manifold for washlet realizes power and water pipes invisible.

SPECIFICS

Size : W580xD85xH1180mm
 Flush Volume : 3.0L/4.5L
 Water Inlet Requirement :
 0.05MPa(Dynamic Pressure)
 ~0.75MPa(Static Pressure)
 Water Efficiency Grade :
 Grade 1

WH173BT-822EB Concealed Flush Tank



Others

Recommend fittings :

Tank Panel:

MB170 Series/MB174 Series/
 MB176G/MB171M/MB175M

Toilet:

CW822EB

Washlet : S5 Series; S7 Series