

WH173B-522B
WH173B-542B



Water Saving

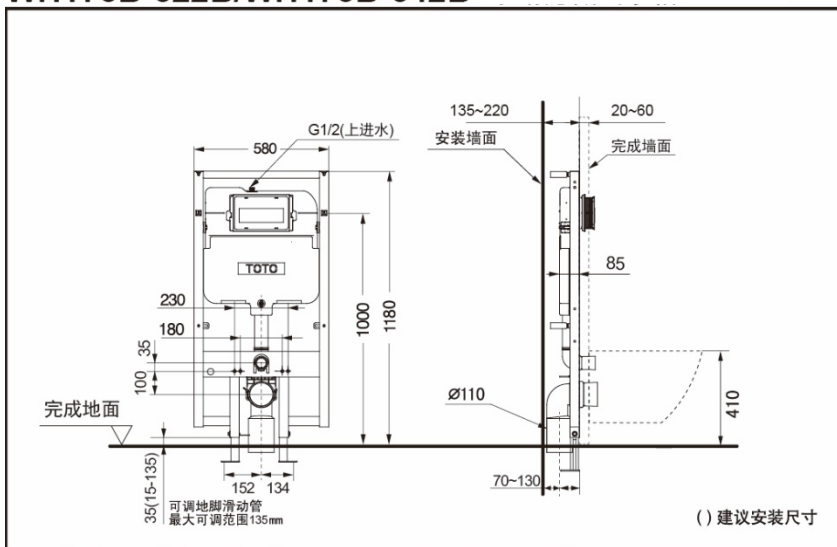
FEATURES

- 3.0L/4.5L dual flush design.
- Thinner tank for only 85mm thickness, space saving and better adaptability.
- Fast loading design for tank fittings and panel, more easy for installation and maintenance.

SPECIFICS

Flush Volume : 3.0L/4.5L
Water Inlet Requirement :
0.05MPa(Dynamic Pressure)
~0.75MPa(Static Pressure)
Water Efficiency Grade :
Grade 1

WH173B-522B/WH173B-542B Concealed Flush Tank



*TOTO(CHINA) CO.,LTD. All rights reserved.

Others

Recommend fittings :

Tank Panel

MB170 Series/MB174 Series/
MB176G/MB171M/MB175M

Toilet

WH173B-522B fits CW522B

WH173B-542B fits CW542B