

TBV02105B
(3-way Push Button with Off)

TBV02402B

①TBV02105B
②TBV02402B

Univalve Box
TBN01001B

Univalve Box
TBN01001B

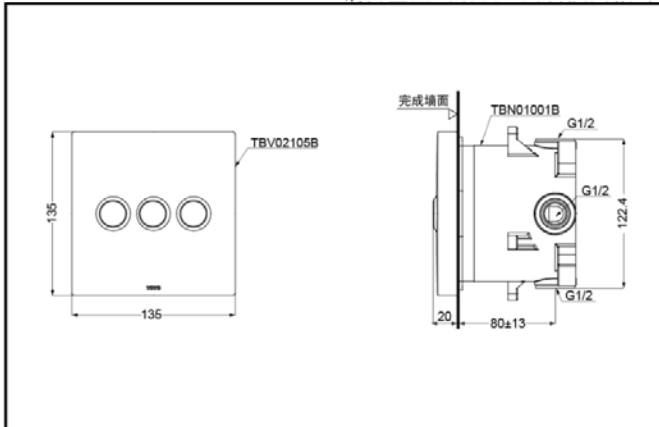


Mini Unit



Safety
Thermo

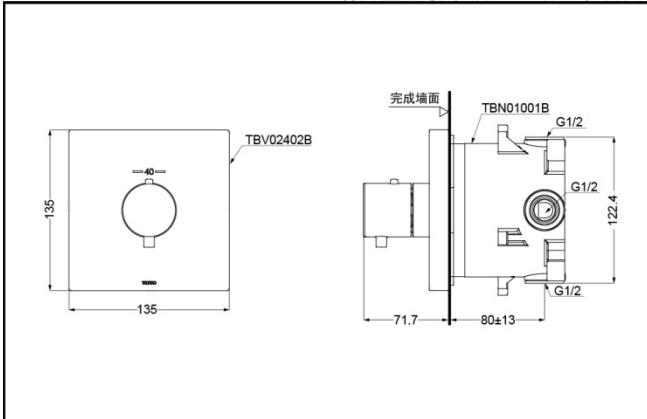
TBV02105B+TBN01001B 钉Wall-Mount Diverter



*TOTO(CHINA) CO.,LTD. All rights reserved.

Wall-Mount Thermostatic Mixer/Valve

TBV02402B+TBN01001B Cartridge



*TOTO(CHINA) CO.,LTD. All rights reserved.
TOTO(CHINA) CO.,LTD. www.toto.com.cn

FEATURES

- Elegant appearance.
- Beautiful curves reveal elegant taste.
- Easy installation and usage.

SPECIFICS

Water Inlet Requirement :
0.05MPa(Dynamic
Pressure)~1.0MPa(Static
Pressure)

Others

Series : G

Recommend fittings :

G series Shower