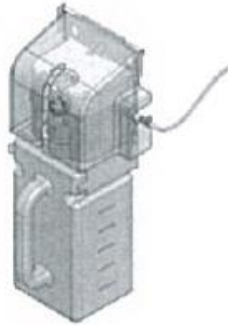


DSE102E
DSE103E



DSE102E DSE103E
<Spout>



<Functional Part>

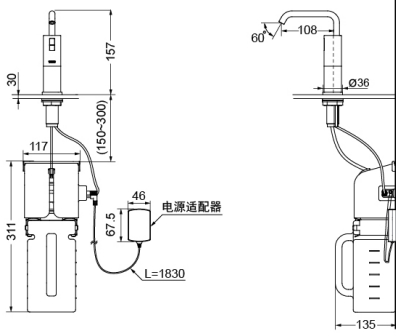


**Auto
Functions**

FEATURES

- New designed high grade appearance.
- Automatic dispensing (belly sensing).
- Two dispensing height available.
- AC adapter.

DSE102E Automatic Soap Dispenser



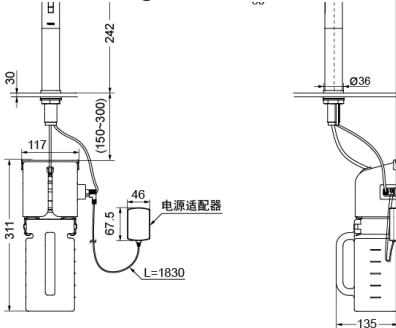
* TOTO(CHINA) CO.,LTD. All rights reserved.

SPECIFICS

- Power Supply : AC 100~240V
- Sensor Detection Range : 150±15mm
- Ambient Temperature : 1~40°C
- Soap Volume : 0.8~1.2ml
- Tank Capacity : 1500ml

DSE103E Automatic Soap Dispenser

Floor-Standing Flush Valve Toilet



* TOTO(CHINA) CO.,LTD. All rights reserved.