

DLE124BE(single supply)(AC)  
DLE124BSK(single supply)(DC)



Auto  
FUNCTIONS

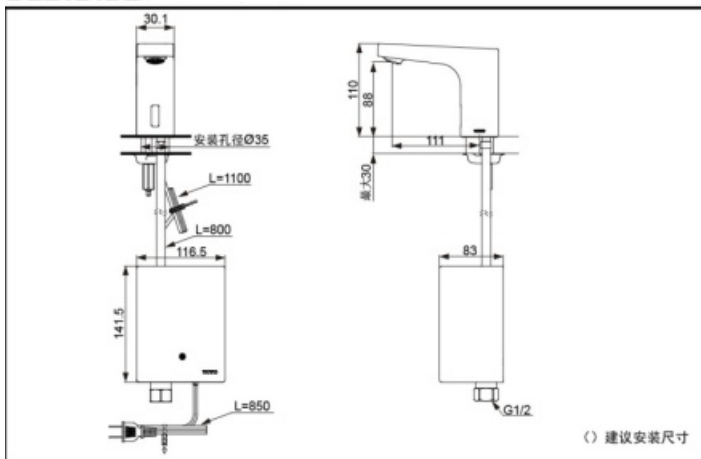


Reduce  
The Water

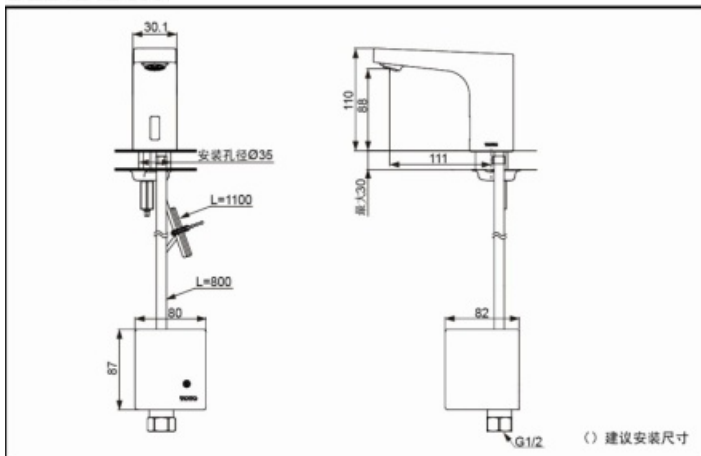
### FEATURES

- Simple and elegant advance appearance.
- Drove by 3V voltage with less consumption.
- New water-save effective aerator.
- A flow of 2 liter per minute.

#### DLE124BE Auto Faucet



#### DLE124BSK Auto Faucet



### SPECIFICS

#### Water Supply:

0.05MPa(dynamic pressure)  
~ 1.0MPa(static pressure)

Sensing distance: 180mm

Supply temperature:

Maximum 55

Drainage fittings:

need another order.