

DCE602U(DC)  
DCE602UE(AC)



Reduce  
The Water



Ecopower

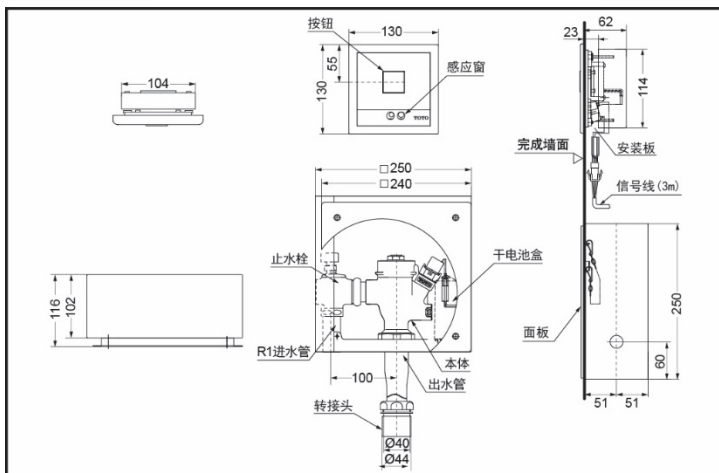


Auto  
Functions

### FEATURES

- 4.8L flushing system, low consumption
- Stainless steel shell and panel
- Clean, elegant design.
- Touchless sensing operation.
- No cross infection, applicable to public use.
- In-wall installation, space save.
- Battery product, no electrician jobs.
- Ecopower product, energy saving.

### DCE602U In-wall Sensor Flush Valve( DC)



\* TOTO公司保留对其产品规格和尺寸更改的权利。届时，恕不另行通知。

\*TOTO(CHINA) CO.,LTD. All rights reserved.

### SPECIFICS

Size: 130\*62\*130mm

Detection Range:  
within 700mm in front of the  
sensor

Detecting Time:  $\geq 6s$

Input Pipe Diameter :  
1inch (inner diameter 25mm)

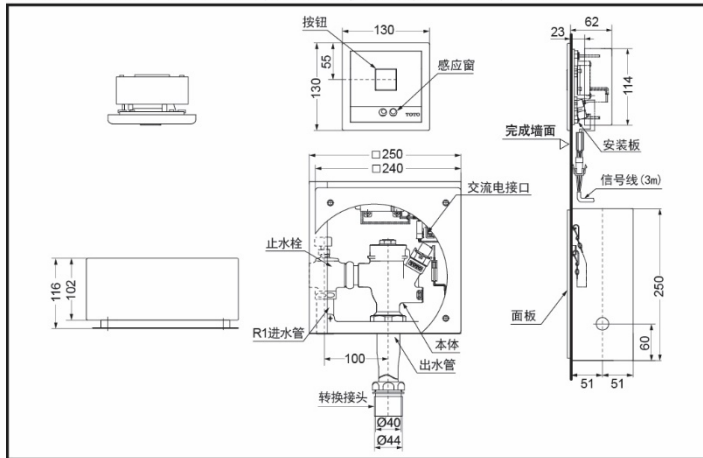
Environmental Temperature :  
0~40°C

Applicable water pressure :  
0.05MPa(Dynamic Pressure)~  
0.75MPa(Static Pressure)

### OTHERS

Recommend Fittings :  
Toilet CW762FVB

### DCE602UE In-wall Sensor Flush Valve( AC )



\*TOTO公司保留对其产品规格和尺寸更改的权利。届时，恕不另行通知。