

TOTO


WH005B 安装支架 WH005B Hanging Toilet Bracket Manual

为了充分发挥产品的性能,请依照安装说明书内容正确安装,安装后,请向顾客详细说明使用方法并且转交说明书。


Perform the installation work properly according to this Installation Guide so that the product can function well.



安全注意事项 (为了安全起见,请务必遵守)

安装前,请仔细阅读「安全注意事项」,并根据其内容正确安装;
为了您能正确地安装该产品,防止您或者他人的人身及财产造成损失,此说明书采用了各种标志,标志的含义说明如下。

标志	含义
 注意	若忽视本标示栏的内容而操作错误可能导致人员受伤,或财产损失。


各标示及其含义如下所示。

	务必执行的「强制」内容,代表「务必执行」。
--	-----------------------



 注意	
	安装过程中,请务必使用附属部件及指定部件,否则可能无法正常安装。
务必实行	必须按照说明书进行安装,否则可能会造成故障或漏水。



Cautions and warnings (Always observe these warnings.)

Before installation, read these "Cautions and warnings" carefully and attach the equipment correctly.
This manual uses various indications to guide safe installation of the product and to prevent injury to customers or other people and damage to property.
This product should be installed by a professional.
The indications and their meanings are as follows.

Symbol example	Meaning of symbol
 CAUTION	This indicates that misoperation could result in injury or physical damage.

The following symbols are used to classify and explain instructions that must be followed.

	The  symbol indicates something that must be done.
--	--


 CAUTION	
	Be sure to use the included or specified parts for installation work. Otherwise, the product may not be installed properly.
REQUIRED	Carry out the installation work according to this installation manual. Otherwise, damage caused by water leaks may occur.

安裝說明 Installation instruction for manual concealed cistern

重要提示:

- 安装前请仔细阅读说明书,本公司不承担因安装人员未按说明书要求施工所造成的损失.产品中包含润滑剂,安装坐便器时选用。
- 在支架安装前,应先确认安装位置,并根据室内装修的总体策划确定装修完成后的地坪面FFL,在安装墙上划出FFL线,并始终以此作为高度0的基准线。
- 在安装支架前,请确认所安装墙壁是承重墙,墙壁厚度在80mm以上,且当300kgf以上的力施加于完工后的坐便器前端时,墙壁应能承受这股拉力。


注: 1.请在贴瓷砖前安装本产品;所有的尺寸单位为毫米。
2.图示零件若与实物不符,请以实物为准。

 FFL $\overset{0}{\nabla}$ = 完成地面。

Important reminder:

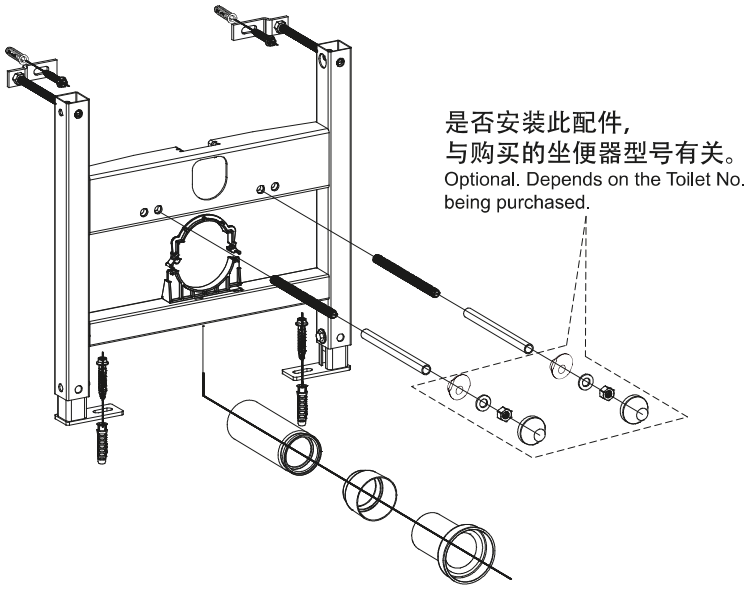
- Please read through this instructions carefully prior to installation, and our company shall not be responsible for any loss caused by not installing in accordance with these instructions. There are lubricants in production for toilet bowl instruction.
- Please confirm the FFL according to the overall indoor fitment method.
Line out the FFL on the wall and always regard FFL as datum line of 0 height.
- Please confirm the wall is the main wall, the thickness exceed 80mm and it can bear more than 300kgf strength when the strength act on the front of toilet bowl.

Note: 1. Please install the frame before paving the tiles.
The dimensional unit is millimeter.
2. Please subject to the object as right if it is not in conformity with the components in picture.

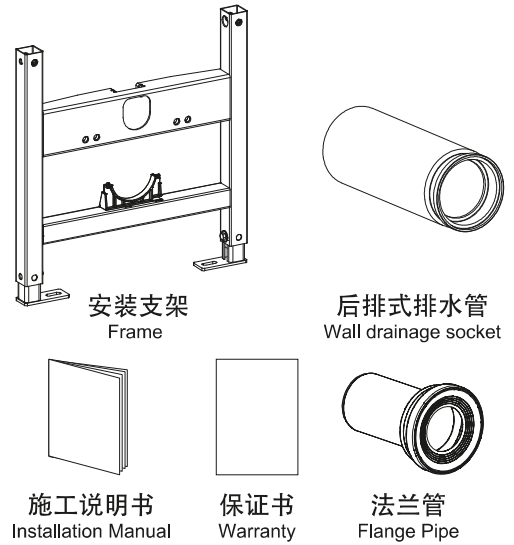
 FFL $\overset{0}{\nabla}$ = FFL of finish face, all dimension is millimeter

配件一览表: Accessories List:

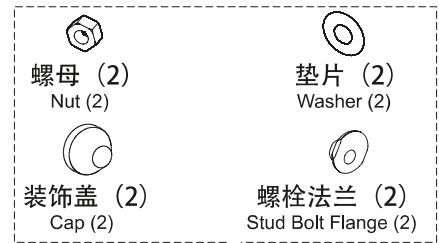
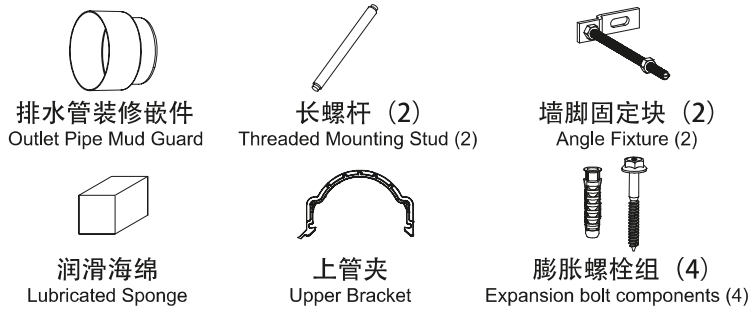
包装确认: Included Parts



仔细确认，确保包装中的配件齐全：
Check to make sure you have all these parts from the package:

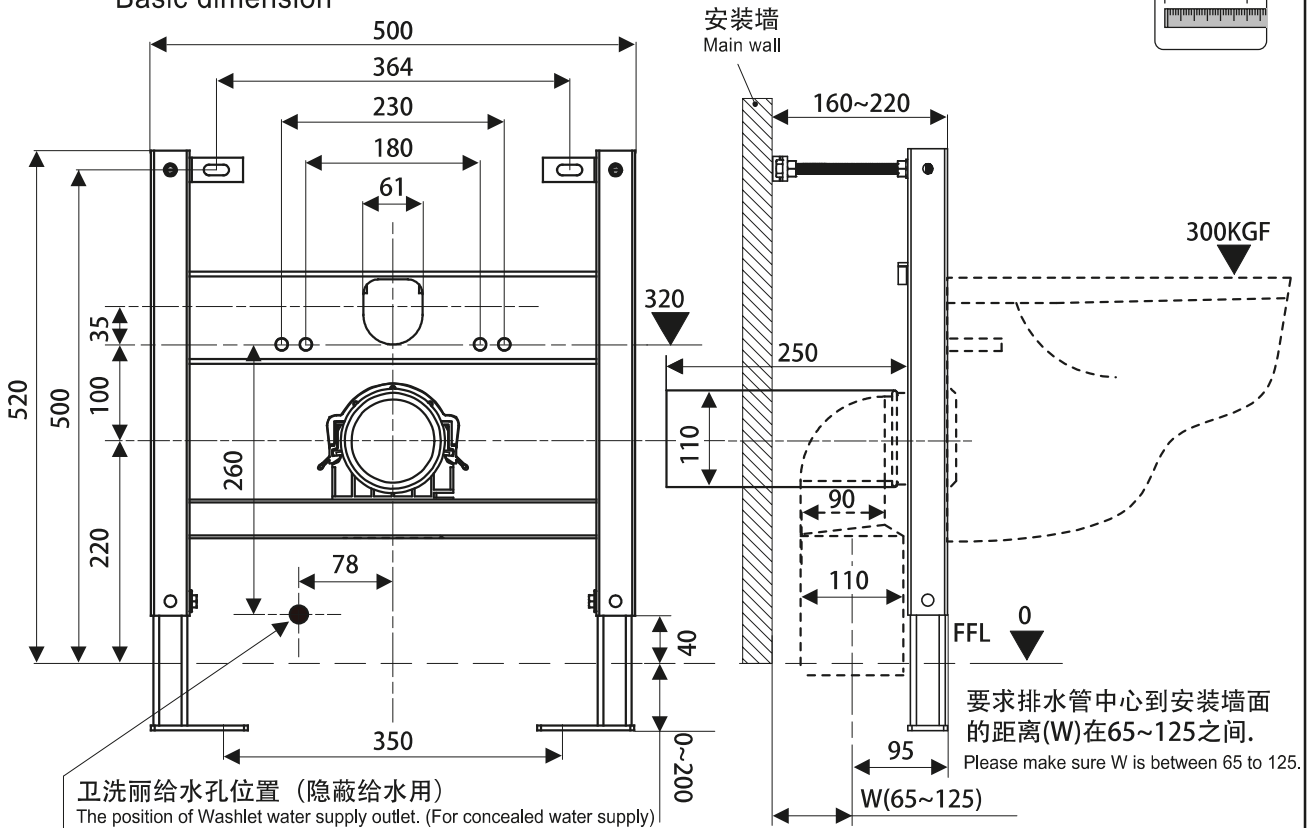


包装中的配件 Parts in package.



是否安装此配件，与购买的坐便器型号有关。
Optional. Depends on the Toilet No. being purchased.

1 基本尺寸
Basic dimension



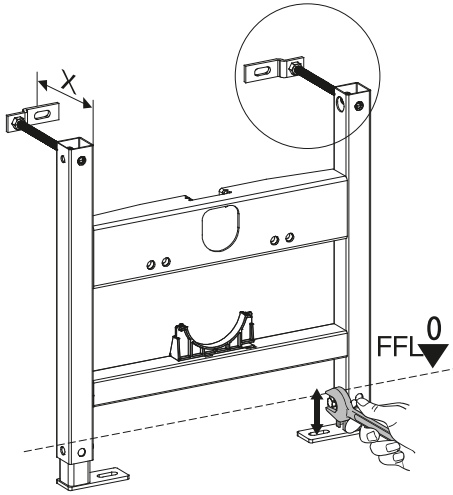
2

墙脚组装、调整地脚：

Install Wall-fixing bracket and adjust floor-fixing bracket:

设定好支架到墙面的距离，适当转松螺栓，调整墙脚滑动管至所需长度，并用水平仪保持支架垂直，最后锁紧螺栓。

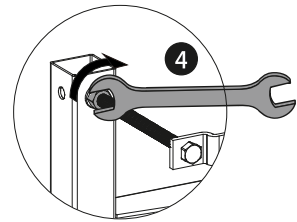
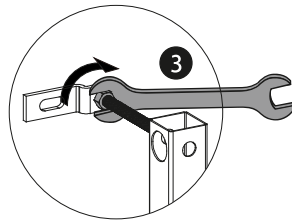
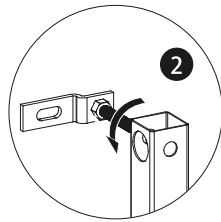
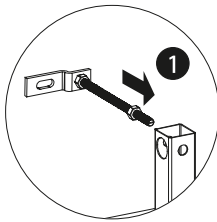
Set the required distance from the wall. Loosen the wall adjustment bolts, set to the required distance, check the frame is vertical and retighten the bolts.



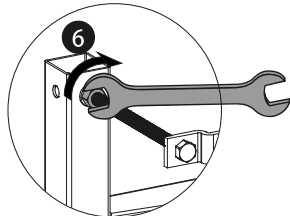
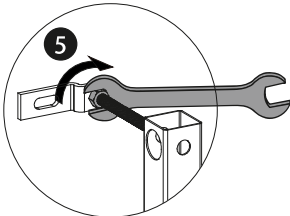
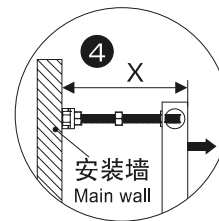
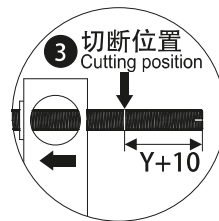
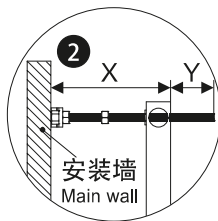
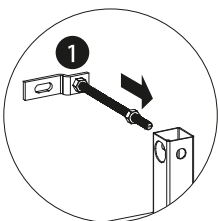
把支架靠墙放置在安装位置上，适当转松螺栓，调整墙脚滑动管至所需长度，并用水平仪保持支架垂直，最后锁紧螺栓。

Place the frame against the wall in the required position. Loosen the height adjustment bolts, set to the required height, check the frame is level and retighten the bolts.

X=205~220



X=160~205



⚠ 注意：若螺栓突出支架表面，可能会造成瓷砖贴附不平整、假墙无法稳固安装等状况。
※请务必将螺栓多余部分进行裁切。

⚠ Caution: If the bolt protrudes from the front of the frame, it may cause the tiles and plaster not to stick to the wall. Please be sure to cut the protruding part.

⚠ 注意：若螺栓超过支架的螺母时，需将多余部分进行裁切。如在安装螺母之前就进行裁切时，可能会造成螺牙部分损伤，导致无法通过螺母。

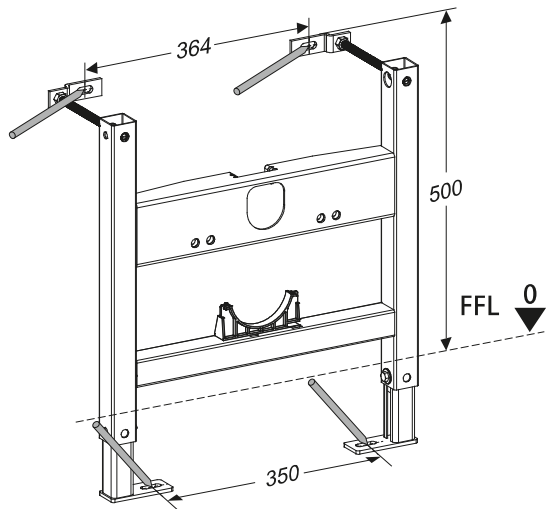
⚠ Caution: Please cut the bolt protruding part after it passes through the nut of the frame. If it was cut before passing through the nut, it may damage the threaded part and cause the bolt unable to be passed through.

⚠ 注意：将螺栓切断时，请勿伤及支架。

⚠ Caution: Please be sure not to damage the frame when cutting the bolt.

3 在安装墙及地面钻孔:(Ø10X深60) Drill on the main wall and floor

在墙面和地面，用笔给调整后的支架固定孔画上記号，然后移走支架，在记号上钻孔（Ø10x深60）。
Mark the fixing positions on the wall and floor. Remove the frame and drill suitable holes (Ø10x60) for the fixings.



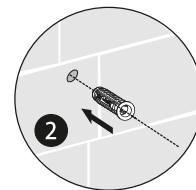
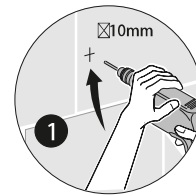
膨胀螺栓的使用方法: Install Expansion Bolt

步骤说明:

- 1、钻孔Ø10x60mm;
- 2、装入膨胀螺栓。

As shown on picture:

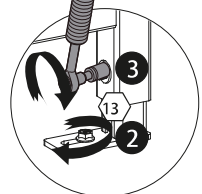
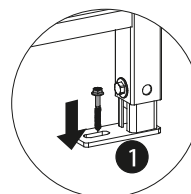
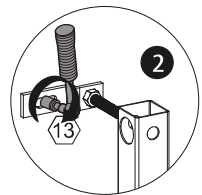
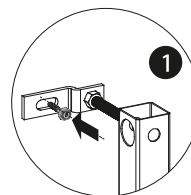
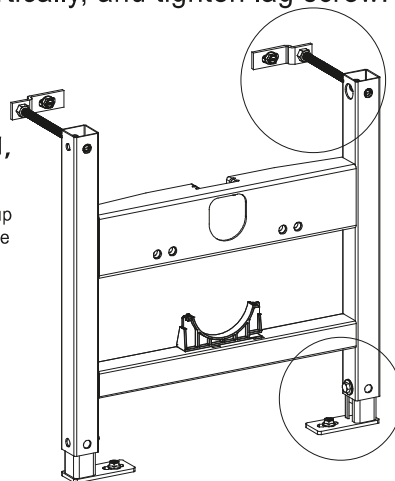
1. Drill Ø10*60;
2. Insert anchor.



4 调节支架的水平 and 竖直，并锁紧螺栓: Adjust horizontally and vertically, and tighten lag screw:

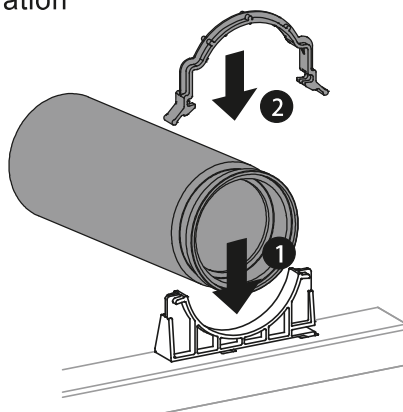
将支架放回安装位置，锁紧墙脚和地脚，并确保其竖直与水平。

Place the frame in the required position again. lock up wall baseboard and floor baseboard tightly. Check the frame is level in all directions.



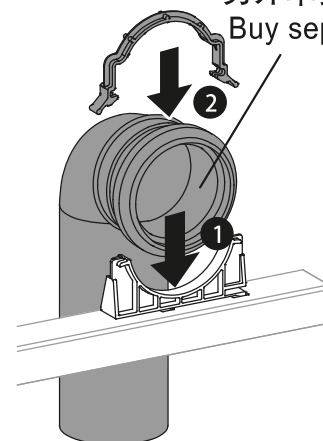
5 排水管安装: Drainage pipe installation

请将管夹扣在此处
Please mount here



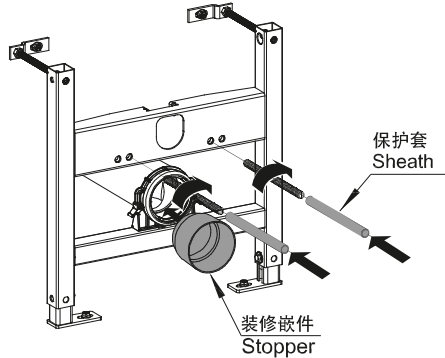
后排式排水管
Wall drainage socket

另外单独购买配件
Buy separately



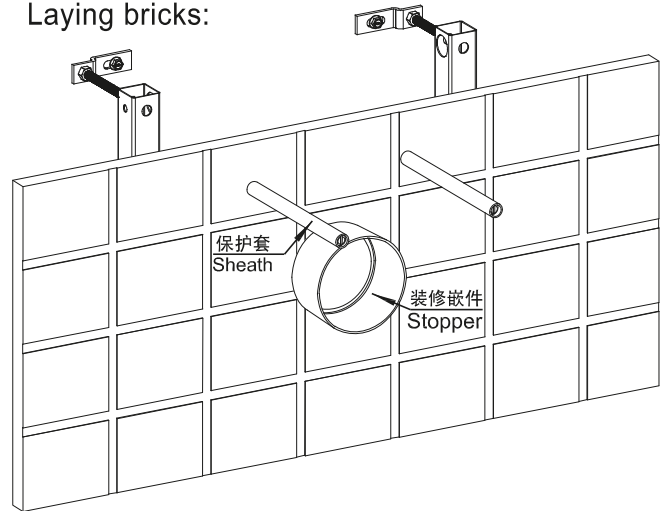
下排式排水管
Floor drainage socket

6 装修嵌件、螺杆安装: Install Plug and long screw



根据实际需要,
选择正确的孔位旋入长螺杆并套上杆套。
As needed, choose right
holes to insert the long screw and then put the sheath.

7 砌装修墙: Laying bricks:



8 法兰管安装 Install the flange pipe

<p>1</p>	<p>2</p> <p>将直管分别插入冲水管和排水管到 位,并画线标识。 Set Straight Pipe into Flush Bend and Drain Bend properly, and marks line.</p>	<p>3</p> <p>在直管橡胶垫上抹上润滑油,再插入 坐便器。 Add lubricant onto the Rubber Gasket of two Straight Pipes and set them into Bowl.</p>
<p>4</p> <p>如图画线标识。 Mark lines as shows.</p>	<p>5</p> <p>排水直管所画线标识之间L。 L is that of two marks on Drainpipe Straight Pipe.</p>	<p>6</p> <p>如图切割直管。 Cut Straight Pipe just as shows.</p>
<p>7</p> <p>将锯短的管口端面打磨倒角 (如图), 并去除毛边。 Chamfer and trim the cutting edges on the shortened Straight pipe(as shows).</p>	<p>8</p> <p>取出带有硅油海绵在直管与弯管 的结合处抹上硅油。 Take out the sponge with silicon oil and smear it on connecting edges of Straight Pipe and Bends.</p>	<p>9</p> <p>排水直管插入排水管。 First install Drain Straight Pipe into Drain Bend.</p>

所有的资料是按出版时的最新产品资料编写的, 本公司保留在任何时候不需通知便可更改产品的特征、包装或供应产品的权利。

All data contained is based upon the last product information available at the time of publication. We reserve the right to implement changes in product characteristics, packaging and availability at any time without further notice.

东陶（中国）有限公司
售后服务全国电话：800-820-9787
手机用户：400-820-9787
TOTO (CHINA) CO., LTD.
After Service Free Tel: 800-820-9787
Mobile telephone:400-820-9787



扫描二维码，
服务预约，方便快捷

制造商：厦门和利多卫浴科技有限公司
地址：厦门海沧区霞飞东路2号
CONSTRUCTOR: VORETO (XIAMEN) PLUMBING
TECHNOLOGY CO.,LTD.
Add: No.2, Xiafei East Road, Haicang District, Xiamen

合格证

产品名称：机架

产品型号：WH005B

检验员：

生产日期：

制造商：厦门和利多卫浴科技有限公司

TOTO