

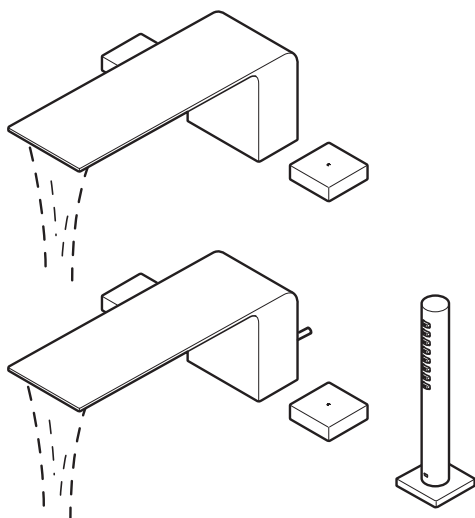
# TOTO

**CN** 使用说明书

## 铜合金台式双柄双控浴缸水嘴 (可转换·带抽取式花洒)

**EN** Operation Manual  
**Bathtub Filler**

TBP02201型/TBP02202型  
**TBP02201 Type / TBP02202 Type**





**CN** ◆首先对您选购本公司的产品表示我们最真诚的谢意。  
请务必仔细阅读本使用说明书后正确地进行使用。  
请务必确认在保修卡中有无填写安装公司名称和安装日期等。  
请妥善保管本使用说明书，以便在必要时可随时取阅。





**EN** ◆Thank you very much for choosing TOTO's Wide Spread Faucet.  
For the best performance, please read this manual carefully.  
Be sure to confirm that the name of dealer, the date of installation, and other necessary information has been entered in the Warranty.  
Keep this manual in a safe handy place for future reference.



# 安全上的注意事项 (为了安全起见, 请务必遵守)

使用前, 请细读本「安全上的注意事项」的内容, 并正确地使用。

- 阅读后, 请务必妥善保管在使用者随时可取阅之处。
  - 为了安全、正确的使用产品, 防止给您或者他人的人身及财产安全造成损失, 此说明书采用了各种标志。
- 各标志与含义如下:

标志	含义
 <b>警告</b>	此标志表示无视此标志的内容, 进行误操作的话, 可能导致人员死亡或重伤。
 <b>注意</b>	此标志表示无视此标志的内容, 进行误操作的话, 可能造成人员伤亡或物质财产损失。

	 表示不可行, 「禁止」之意。 左图表示「禁止拆解」。
	 表示必须「强制」实行的内容。 左图表示「必须实行」。

 <b>警告</b>	
 禁止	使用时, 供热水温度不得超过90℃, 建议供热水温度为60℃. 供热水管请勿使用蒸汽。 否则可能会造成产品使用寿命缩短、易破损、烫伤, 以及由于漏水而造成的家庭财产污损。
	请勿让小孩单独使用。 否则可能会造成烫伤、受伤。

## 警告



禁止拆解

非专业维修人员绝对不能进行说明书记载检修项目外的产品拆解、修理和改造。  
否则，可能因产品性能受损导致烫伤、受伤，或因漏水而引起家具浸湿等财产损失。



禁止碰触

使用高温热水时，切勿直接碰触水嘴本体。  
处于高温状态的水嘴本体可能会造成烫伤。



必须实行

使用热水时，请务必先开启冷水侧手柄，然后再缓慢开启热水侧的手柄并调整到合适的温度。  
否则可能会因流出高温热水而造成烫伤。

使用热水前，请事先用手确认温度是否合适。  
否则可能会因流出高温热水而造成烫伤。

### 带手持花洒时

进行水嘴本体和手持花洒之间，或手持花洒吐水模式转换时，可能会导致水温变高，请加以注意。

关闭热水时，请务必先关闭热水侧。  
否则在下次使用时，可能会因为水嘴内部残留的高温热水而造成烫伤。

使用高温热水后，请放一段时间冷水冷却。  
否则在下次使用时，可能会因为水嘴内部残留的高温热水而造成烫伤。

请缓慢地开启供热水侧的手柄。  
快速开启热水侧的手柄，会使温度急剧上升，可能会导致烫伤。

## ⚠ 警告



必须实行

请定期（一年两次以上）检查给水及连接管有无漏水或松动现象。因老化和磨损会导致零件损坏，进而导致受伤、或因漏水导致浸湿财产等事故的发生。

冷水水压必须高于热水水压或同等于热水水压。否则会因无法正常地调节温度而导致烫伤。如必须给热水侧加压时，热水侧压力也必须低于冷水水压。

## ⚠ 注意



禁止

不要施加强力或冲击。否则可能会造成破损，以及因发生漏水而造成的家具浸湿等财产损失。



必须实行

请慢慢地操作手柄。关闭过快时，水管会发出「咚」的撞击声音，使水管受到冲击，进而可能导致漏水而造成的家具浸湿等财产损失。

长期不使用时，请务必关闭供水管道总阀。以免发生漏水等意外事故。

请勿在室外或可能结冰的地方使用。否则可能因部件破损，导致漏水而使财物浸湿、受损。因冻结而导致的破损，即使在保修期内也需要收费修理。在可能结冰时，请采取措施，以确保水嘴周围的温度不降至冰点以下。

## 注意

请勿无视松动等异常现象。  
否则会造成零件损坏或因零件镀层表面产生裂纹而导致受伤。此时，请立即委托修理。

请勿冲击镀层表面或强行操作。  
镀层表面的裂纹可能导致受伤。如镀层表面出现裂纹，请立即委托修理。

请勿使用中性洗涤剂以外的洗涤剂。  
(请参考第14页之内容。)  
否则可能会造成变色或破损。



禁止

请勿将化妆品等粘着在水嘴上。  
如果将卸妆剂、发胶、洗发液、染发剂等粘着于树脂零件上放置不管，会造成变色或树脂零件破损。万一粘着时，请立即用水洗干净。

### 带手持花洒时

请勿将手持花洒浸没于浴缸或洗面器内的水中。  
否则断水时可能会发生逆流，或因杂质、头发堵塞而导致功能受损。

### 带手持花洒时

使用热水供给设备的热热水时，供热水温度切勿超过42°C。  
否则可能会造成烫伤。



# Safety Precautions





(Be sure to follow all precautions for safety sake.)



Read the section on "Safety Precautions" thoroughly to ensure proper use.

- Read this manual carefully and keep it where it is easily available.
- This manual employs various indications in order to install the product safely and properly and to prevent harm to the customer and other people as well as, damage to their property.

The indications and meanings are as follows.

Symbol	Meaning
 <b>WARNING</b>	This indication means that if the content in the column of this indication is ignored or handled wrongly, death or serious injury may occur.
 <b>CAUTION</b>	This indication means that if the content in the column of this indication is ignored or handled wrongly, injury or property damage may occur.

	 Indicates things that you must not do as "Prohibited". The left figure indicates that "Disassembly is Prohibited".
	 Indicates things that you must do without fail as "Mandatory". The left figure indicates to "Execute it without fail".

 <b>WARNING</b>	
 Prohibited	<b>Do not use the water hotter than 90°C.</b> If the water hotter than 90°C is used, the water may scald you and the life of the faucet may shorten causing it to break and leak water that may wet household articles and cause damage to your property.
	<b>Do not let a child alone use the product.</b> Child may get scolded or injured.

## **WARNING**



Disassembly  
Prohibited

**Do not disassemble or remodel the product with other items than what are described in this manual.**

Otherwise, the water may scald or injure you and the product may break and leak water that may wet household articles and cause damage to your property.



Do Not  
Touch

**When you use the high-temperature hot water, do not directly touch the spout.**

The spout is heated hot and you may get scalded.

**When you want to use hot water, be sure to open the valve first from the cold-water side and, thereafter, slowly open the hot-water valve and adjust the water temperature as desired.**

If you open the hot-water valve first, hot water may come out and scald you.

**Before using hot water, be sure to confirm by hand that the water temperature is appropriate.**

Hot water may come out and scald you.

For products with a shower

Note that the water temperature may be high after changing over between the spout and the shower or changing the shower water discharging conditions.



Mandatory

**When stopping the hot water, be sure to close the handle of the hot-water side.**

When you use the faucet the next time, the hot water that remains in the faucet comes out and may scald you.

**After using hot water, flow cold water for a while.**

When you use the faucet the next time, the hot water that remains in the faucet comes out and may scald you.

**Turn the - hot-water handle - slowly.**

If you turn the hot-water handle rapidly, the temperature may rise suddenly and scald you.

 **WARNING**



Mandatory

**Periodically (More than twice a year) check around the piping for any water leaks and looseness.**

Part(s) may break due to deterioration and wear and you may be scalded or injured, and water may leak, wet household articles and cause damage to your property.

**Set the cold water supply pressure higher than the hot water supply pressure or set them to the same pressure.**

If the hot water supply pressure is set higher than the cold water supply pressure, the temperature cannot be adjusted to appropriate temperature and you may be scalded. When increasing the hot water supply pressure, be sure to set the hot water supply pressure lower than the cold water supply pressure or set them to the same pressure.

 **CAUTION**



Prohibited

**Do not subject the product to strong force or impact.**

Otherwise, the product may break and leak water that may wet household articles and cause damage to your property.

**Operate the handle slowly.**

If you close the water discharge port, a loud “banging” noise is heard as the piping is impacted by water hammering. In some cases, water may leak whereby wetting household articles and causing damage to your property.



Mandatory

**If the product will not be used for a long period of time, close the main valve of the piping.**

Unexpected accidents like water leaks may be caused.

**Do not use the product in any place where freezing can be expected.**

Otherwise, the parts may break and leak water that may wet household articles and cause damage to your property. Repairs to parts broken due to freezing are subject to billing even within the warranty period. If freezing is anticipated, do not lower the temperature around the faucet below zero.



## CAUTION

### **Do not leave the abnormality-like looseness as it is.**

If the abnormality-like looseness is left as it is, the part(s) may break and plated surfaces may crack whereby injuring you.  
If you detect any broken part(s) or cracked plated surfaces, immediately ask for repairs.

### **Do not strike or operate plated part(s) with undue force.**

The plated surface may crack whereby injuring you. If the plated surface cracks, immediately ask for repairs.

### **Do not use cleaning agents other than neutral detergent.**

(Refer to page 16.)

If you use cleaning agents other than neutral detergent, the faucet may discolor or break.



Prohibited

### **Do not let cosmetics, etc. adhere to the faucet.**

If cleansing agents, hairdressing, shampoos, hair dyes, etc. are left adhering to plastic parts, the product may discolor or break.  
If adhered, immediately wash away with water.

For products with a shower

### **Do not submerge the showerhead in the bathtub or washbowl.**

Water may flow back if water supply is interrupted.  
Debris and hair may block the flow and impair performance.

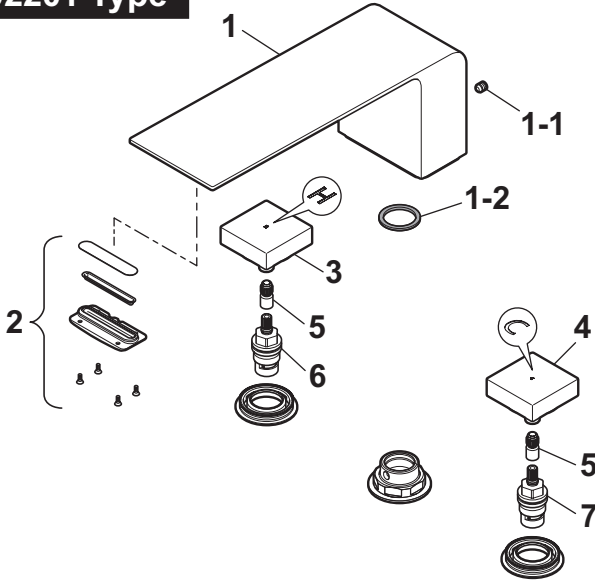
For products with a shower

### **Do not use the hot-water supplier at a temperature higher than 42°C.**

You may get scalded.

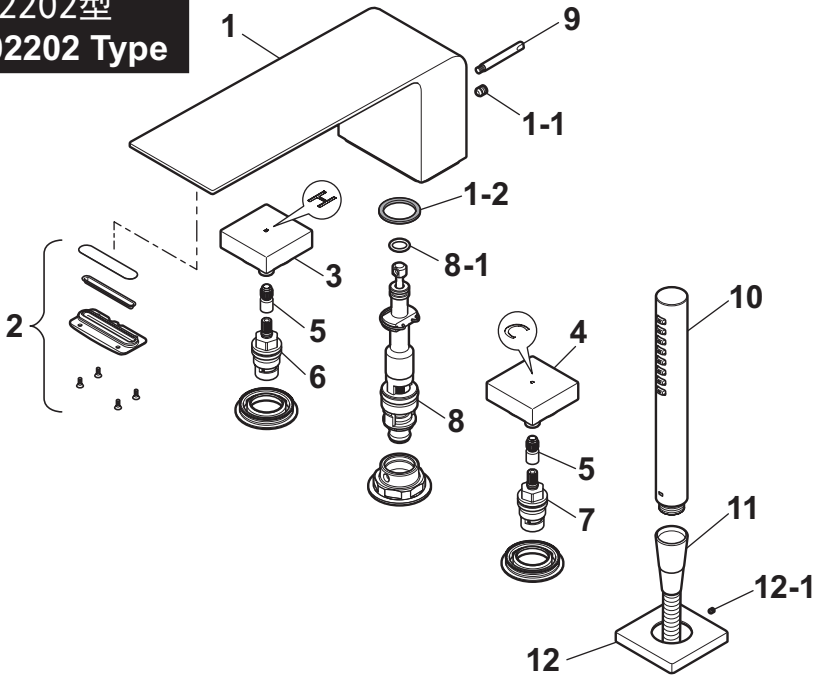
**[CN]** TBP02201型

**[EN]** TBP02201 Type



**[CN]** TBP02202型

**[EN]** TBP02202 Type



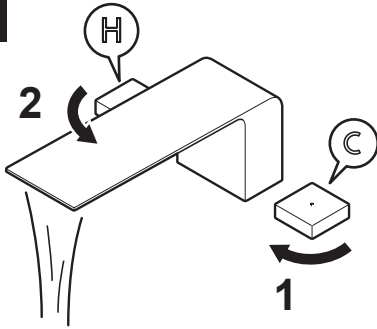
## CN 各部位名称

- |           |            |
|-----------|------------|
| 1. 水嘴     | 8. 转换阀     |
| 1-1. 定位螺丝 | 8-1. O型圈   |
| 1-2. O型圈  | 9. 转换捏手    |
| 2. 吐水口    | 10. 手持花洒   |
| 3. 供热水侧手柄 | 11. 花洒软管   |
| 4. 供冷水侧手柄 | 12. 花洒固定台座 |
| 5. 嵌件     | 12-1. 定位螺丝 |
| 6. 热水侧阀芯  |            |
| 7. 冷水侧阀芯  |            |

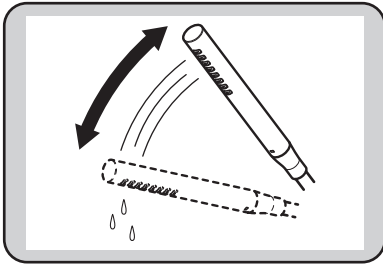
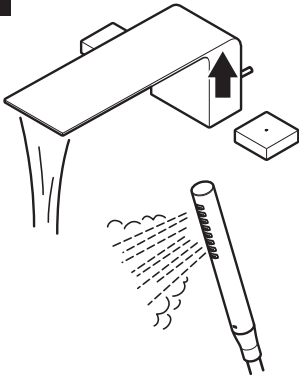
## EN Names of Parts

- |                          |                     |
|--------------------------|---------------------|
| 1. Spout                 | 8. Changeover valve |
| 1-1. Setscrew            | 8-1. O-ring         |
| 1-2. O-ring              | 9. Connecting lever |
| 2. Water discharge port  | 10. Showerhead      |
| 3. Hot-water handle      | 11. Shower hose     |
| 4. Cold-water handle     | 12. Shower seat     |
| 5. Adjusting bush        | 12-1. Setscrew      |
| 6. Hot-water side valve  |                     |
| 7. Cold-water side valve |                     |

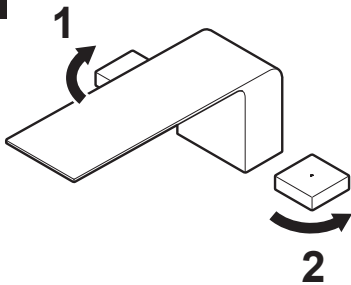
**A-1**



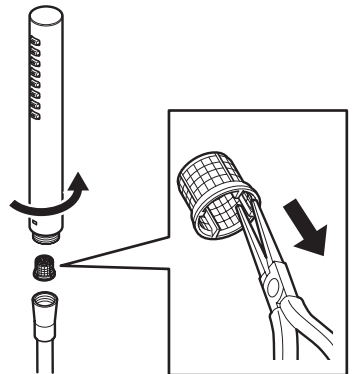
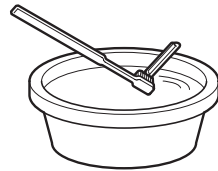
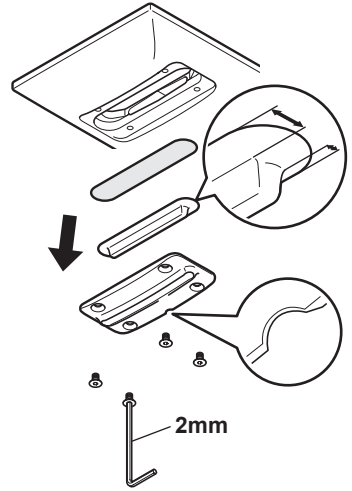
**A-2**



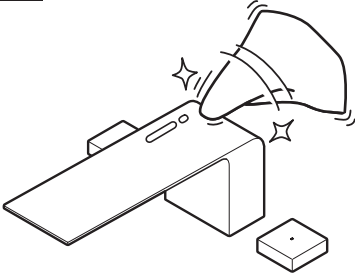
**A-3**



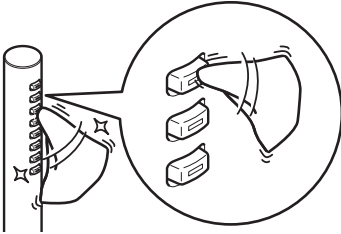
**B-1**



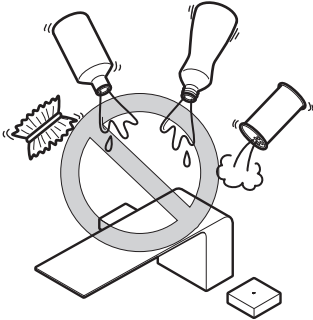
**B-2**



**B-3**



**B-4**



## A 使用方法

### A-1 流量和温度调节方法

转换捏手是否处于低位（带手持花洒时）

将冷水侧手柄向左旋。

将热水侧手柄向右旋，进行流量、温度的调节。

### A-2 从手持花洒侧吐水（带手持花洒时）

向上提拉转换捏手。

但是，流量过小时，无法转换至手持花洒侧吐水模式。

※需要由手持花洒吐水转换至吐水嘴吐水模式时，请按下转换捏手。

### A-3 关闭冷·热水

请务必先将热水侧手柄向左旋到底。

然后再将冷水侧手柄向右旋到底。



- 因手持花洒内置单向阀，所以，请不要用其他手持花洒替代。
- 为避免水嘴滴水，请勿在指定位置以外另设手持花洒支架。
- 手持花洒停止吐水后，由于手持花洒内残留水的原因，滴水现象仍会持续一段时间。如几分钟后滴水仍未停止，请务必确认冷·热水手柄是否处于关闭状态。要强制排出残留水时，摆动手持花洒5至10次。
- 高压、大流量状态下使用，转换操作时的手感可能会加重。此时，请先用手柄调小流量，在进行转换操作。

## **B** 日常保养

### **B-1** 过滤网的保养方法

< 吐水口 >

拆下固定螺丝、吐水口及过滤网。  
用牙刷等清除堵住过滤网的杂质或污垢。  
安装固定螺丝、吐水口及过滤网。

< 手持花洒 >

从花洒软管上卸下手持花洒。  
夹住凸起部分，卸下过滤网。  
用牙刷等清除堵住过滤网的杂质或污垢。  
将过滤网装回手持花洒。  
将手持花洒安装到花洒软管上。

### **B-2** 用软布擦拭保养

- 轻微污垢时  
用冷水或温水将软布打湿后拧干，擦除污垢。
- 污垢严重时  
用适量稀释好的餐具用中性洗涤剂沾湿软布，再用其软布擦除污垢，  
然后用清水擦干净。

### **B-3** 散水板的保养方法

喷嘴堵塞时，流线可能会紊乱。  
用冷水或温水将软布打湿后拧干，轻轻地擦除污垢，以免损伤喷嘴。  
用力擦拭或摩擦时，可能会造成喷嘴破损或变形而导致使流线更加紊乱，  
故请加以注意。

### **B-4** 建议

请勿使用可能损坏产品表面的下列物品。

- 酸性清洗剂、含氯的漂白剂、碱性清洗剂  
否则可能会造成产品表面变色或树脂零件损坏。
- 香蕉水、挥发油等溶剂  
否则可能会造成橡胶或树脂零件损坏。
- 去污粉、研磨粉等含有粗颗粒物质的清洗剂
- 百洁布，刷子等  
否则可能会损伤产品表面。

**A How to Use****A-1 How to adjust the flowrate and temperature**

Make sure that the changeover lever is pulled down. (For products with a shower)

Turn the cold-water handle counterclockwise.

Turn the hot-water handle clockwise to adjust the flowrate and the temperature.

**A-2 Run water from the shower. (For products with a shower)**

Pull up the changeover lever.

However, if little water is discharged, water does not changeover to the shower.

\* If you want to discharge water from the spout after changing over from shower water discharge, press down the changeover lever.

**A-3 To stop cold/hot water**

Be sure to first turn the hot-water handle counterclockwise.

Turn the cold-water handle clockwise.



- Since this is a special showerhead with check valve, it cannot be replaced with other showerheads.

- In order to prevent water dripping from the spout, it is not possible to mount a separate shower hanger.

- Water is drained from the showerhead for a while after the shower is stopped.

This is to drain the water remaining in the showerhead. If it keeps draining for several minutes, check to see if the handle is closed completely.

If you want to drain the remaining water by force, shake the showerhead 5 - 10 times.

- If the faucet is used with a large flowrate in a high-pressure water site etc., the changeover operation may feel heavy. In such case, reduce the flowrate from the handle before operating the faucet.'



## **B** Daily Care

### **B-1** Care for the filter

<water discharge port>

Remove the setscrew, water discharge port and wire screen.

Remove dirt and debris caught by the wire screen using a toothbrush, etc.

Mount the setscrew, water discharge port and wire screen.

<Showerhead>

Remove the showerhead from the shower hose.

Pinch the projection and remove the filter.

Remove dirt and debris caught by the filter using a toothbrush, etc.

Mount the filter in the showerhead.

Mount the showerhead in the showerhose.

### **B-2** Wiping with a cloth

#### ● Slightly dirty

Soak a piece of cloth in cold or lukewarm water, wring well and wipe away dirt completely.

#### ● Stubborn dirty

Wipe off dirt with a piece of cloth impregnated with appropriately diluted neutral bath cleaner, then blot up any residual dirt and water with a dry piece of cloth.

### **B-3** Care for spray plate

If the nozzle clogs up, water may flow erratically.

Soak a cloth in cold water or lukewarm water, wring well and carefully wipe off dirt from the nozzle paying attention not to damage it.

If you wipe off or scrub the nozzle with strong force, it may break or deform and, moreover, cause water to flow erratically.

### **B-4** Notes

Do not use the materials that may break the faucet.

- Acidic detergents, chlorine bleaches and alkali detergents  
The faucet surface may discolor or the plastic part(s) may break.
- Solvents such as thinner, benzine, etc.  
Rubber and plastic part(s) may break.
- Detergents that contain coarse particles such as cleansers, polishing powders, etc.
- Nylon scrubbers, scrubbers, brushes, etc.  
The faucet surface may be damaged.

# TOTO

## 产品保修卡

※本保证书是对本书中已明记的时间，条件下进行免费修理的保证。

因此，此保证书不是作为限制客户在法律上权利的东西。

对保证期过后的修理等问题不明时，请查询东陶（中国）有限公司。

售后服务全国免费电话：8008209787（固定电话）4008209787（手机拨打）

客户	姓名
	地址 邮编
安装公司	邮编
	电话 -
经销商	电话 -
安装 / 购买日期	年 月 日

产品名称	铜合金台式双柄双控浴缸水嘴
型号	TBP02201型/TBP02202型
保修期限	安装日期 / 自购买日起，陶瓷阀芯及本体为5年 其它部件为1年

执行标准：GB18145-2014 (TBP02201型)

GB18145-2014, GB28378-2012 (TBP02202型)

### ★致客户

·当您拿到本保修卡时，请填写并确认安装日期、安装公司（或经销商）名称以及经办者盖章。因保修卡不再另行发行，请妥善保管，切勿遗失。另外，本保修卡只在中国国内有效（不包含港、澳、台地区）。

·即使在保修期限内，下列情况也要有偿修理。

(1)超越本产品正常使用范围而导致的故障及损伤等（如将普通家庭用产品作为业务性产品使用）。

(2)因使用、管理不当而造成的故障及损伤等。

(3)未根据敝公司的安装说明书进行安装或由非专业人员拆卸等造成的故障及损伤等。

(4)因建筑结构的变形而造成的产品故障及损伤等。

(5)随着岁月、使用而造成涂料褪色或磨损等外观上的问题。

(6)因在金属易于腐蚀的环境（海岸附近、温泉地区等）下使用而造成的故障及损伤等。

(7)因老鼠等动物或昆虫啃啮、动物及昆虫的残骸留在产品内等而造成的故障及损伤等。

(8)由火灾、雷击、地震、火山爆发、洪水、海啸等天灾地害或破坏行为而造成的故障及损伤等。

(9)因使用异常电压、非符合的电源（电压、频率）以及受送电线、周围电器等产生的电磁波的影响而造成的故障及损伤等。

(10)因日常的维护保养不当导致的肮脏、镀层生锈等不良。

(11)安装后又拆移等原因造成的损伤。

(12)因水管淤积的沙土、垃圾以及附着的水垢而造成的故障及使用不良等。

(13)因供给不符合供水规定（有关自来水的国家基准）所规定的饮料水质之水而造成的故障及使用不良等。

(14)因冻结而造成的故障及使用不良等。

(15)未出示本保修单的情况。

(16)本保修单上未填写客户姓名、安装日期、经销商（或代理店）名称以及经办者盖章的情况。

·关于零件的更换

免费修理时换下的零件、产品属于东陶（中国）有限公司所有。

※本保修单是对本书中已记载的时间、条件下进行免费修理的保修。

因此，本保修单并不是作为限制客户在法律上权利的东西。

对保修期过后的修理等有不明确问题时，请查询东陶（中国）有限公司。

·修理完毕后交给客户的修理单上有修理内容的记载，故请妥善保管。

本保证书仅适用于中国国内。

经销商：东陶（中国）有限公司

# TOTO

## WARRANTY

TOTO will repair this product free of charge according to the warranty period and conditions described herein. If trouble occurs during the following period from the date of installation, users are requested to contact any of the offices listed in the back cover for repair, showing this WARRANTY.

Customer	Name:
	Address:
Dealer	Address:
Seller	Tel: -
Date of Installation/ Date of purchase	

Name of Product	Bathtub Filler
Model Number	TBP02201 Type / TBP02202 Type
Period of Warranty	The warranty is effective for a period of one (1) year from the date of purchase.

### ★To customers

· When receiving this warranty, please make sure that the date of installation, the name of installer (or seller) and that the seal of the installer are included.

Since TOTO will not reissue this warranty, please keep it in a safe and retrievable place.

· Repairs are subject to billing even within the warranty period in the following cases.

- (1) Trouble caused by use of the product outside of the scope of the application specified above.
- (2) Trouble attributable to incorrect use or improper maintenance.
- (3) Trouble attributable to installation contrary to instructions in the installation manual or disassembly by persons other than technicians.
- (4) Trouble attributable to deformation of the building structure.
- (5) Trouble in appearance arising out of seasonal changes such as discoloration or wear during use.
- (6) Trouble attributable to corrosive environments for metal (coastal areas, hot springs, etc.).
- (7) Trouble attributable to insects or animals, as well as carcasses thereof animals inside the product.
- (8) Trouble caused by catastrophic phenomena of nature such as fire, lightning, earthquakes, volcanic eruptions, flooding or tsunamis, as well as destructive behavior.
- (9) Trouble attributable to abnormal voltage in electric products, use of unspecified power supplies (voltage/frequency) or electromagnetic waves generated from external sources such as power transmission lines and nearby electrical equipment.
- (10) Trouble caused by worn-out parts (batteries, etc.).
- (11) Trouble caused by wear or deterioration of parts (filter, etc.) under daily care, or O-rings and packing of drain plugs.
- (12) Trouble attributable to the intrusion of sand or dust into piping, or adherence of water scale.
- (13) Trouble attributable to supplied water that does not conform to the quality standards of drinking water specified by national standards relating to water service (Water Service Act).
- (14) Trouble attributable to freezing.
- (15) If this warranty is not presented when asking for repairs.
- (16) If this warranty does not contain the name of the customer, the date of installation, the name of the dealer (or seller) or the seal of the installer.

\*This warranty assures repair free of charge within the period and under the conditions specified herein.

Accordingly, this warranty does not restrict the legal rights of the customer.

If anything about repairs after the expiration of the warranty period is unclear, please contact any of the offices listed in the back cover.

· Retain the repair slip that will be handed to the customer after the completion of repairs, as it describes the repairs in details.

This product warranty card is applicable to countries except China.

需要询问修理和使用时，请首先与购买的安装公司或经销商联系

安装公司·经销商

邮编

电话号码

—

经销商：东陶（中国）有限公司

全国售后服务电话：800-820-9787 (固定电话)

400-820-9787 (手机用户)

地 址：北京市朝阳区光华路1号 北京嘉里中心北楼1915室

网 址：www.toto.com.cn

For advice on repairs and handling, first contact your dealer.

Dealer:

Address:

Tel:

-

**TOTO Asia Oceania Pte. Ltd.**

Telephone : 65-6744-6955

FAX : 65-6841-0819

Address : 10 Eunos Road 8 #12-07 Singapore Post Centre Singapore 408600

Website : asia.toto.com

**TOTO KOREA LTD.**

전화번호 : (02)-3141-8236

FAX 번호 : (02)-3141-8240

주소 : 서울시 마포구 상수동 351-16번지 로이코빌딩 3층

홈페이지 : <http://www.totokr.co.kr>

**TOTO LTD.**

TOTO web site <http://www.toto.com/index.htm>