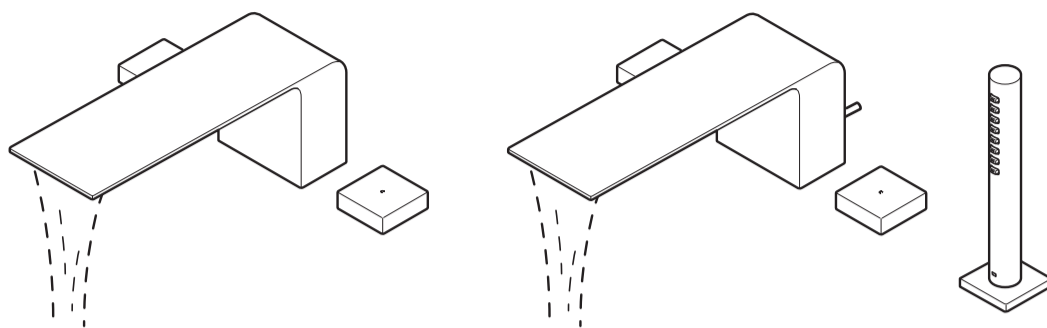


# TOTO

**CN** 安装说明书  
**EN** Installation Manual

**CN** 铜合金台式双柄控浴缸水嘴  
(可转换·带抽取式花洒)

**EN** Bathtub Filler



TBP02201型/TBP02202型  
**TBP02201 Type / TBP02202 Type**

**CN** ◆为了能够发挥产品功能，请细读本安装说明书的内容，并正确地安装。  
安装后，请务必向客户仔细地说明使用方法。

**EN** ◆For best results, install the product correctly according to the instructions in this Installation Manual.  
After installation, thoroughly explain how to use the product to the customer.

**CN**

## 安全上的注意事项 (为了安全起见，请务必遵守)

安装前，务请细读本「安全上的注意事项」的内容，并正确地安装。

●为了安全、正确地使用产品，防止给您或者他人的人身及财产安全造成损失，此说明书采用了各种标志。  
各种标志与含义如下：

	<b>警告</b> 此标志表示无视此标志的内容进行操作的话，可能导致人员死亡或重伤。		表示不可行，「禁止」之意。 左图表示「禁止拆卸」。
	<b>注意</b> 此标志表示无视此标志的内容进行操作的话，可能导致人员伤害或物质财产损失。		表示必须「强制」实行的内容。 左图表示「必须实行」。

<b>注 意</b>	
	<b>禁止</b> 不要施加强力或冲击 否则可能会造成破损，以及因发生漏水而造成的家具浸湿等财产损失。
	<b>必须实行</b> 请勿在室外或可能结冰的地方使用。 否则可能会造成破损，以及因发生漏水而造成的家具浸湿等财产损失。

<b>警 告</b>	
	冷热水管勿装反。 否则可能因使用冷水侧时吐热水而造成烫伤。
	<b>禁止</b> 使用时，供热水温度不得超过90°C。建议供热水温度为60°C。供热水管请勿使用蒸汽。 否则可能会造成产品使用寿命缩短、易破损、烫伤，以及由于漏水而造成的家庭财产污损。
	<b>禁止拆卸</b> 非专业维修人员绝对不能进行说明书记载检修项目外的产品拆解、修理和改造。 否则，可能因产品性能受损导致烫伤、受伤，或因漏水而引起家具浸湿等财产损失。
	<b>禁止碰触</b> 使用高温热水时，切勿直接碰触水嘴本体 处于高温状态的水嘴本体可能会造成烫伤





接下页




Continued on the back cover





# Safety Precautions (Be sure to follow all precautions for safety sake.)

Please read these Safety Precautions before installation work in order to install the product properly.

● This manual employs various indications in order to install the product properly and to prevent harm to the customer and other people, as well as damage to their properties. The indications and meanings are as follows:

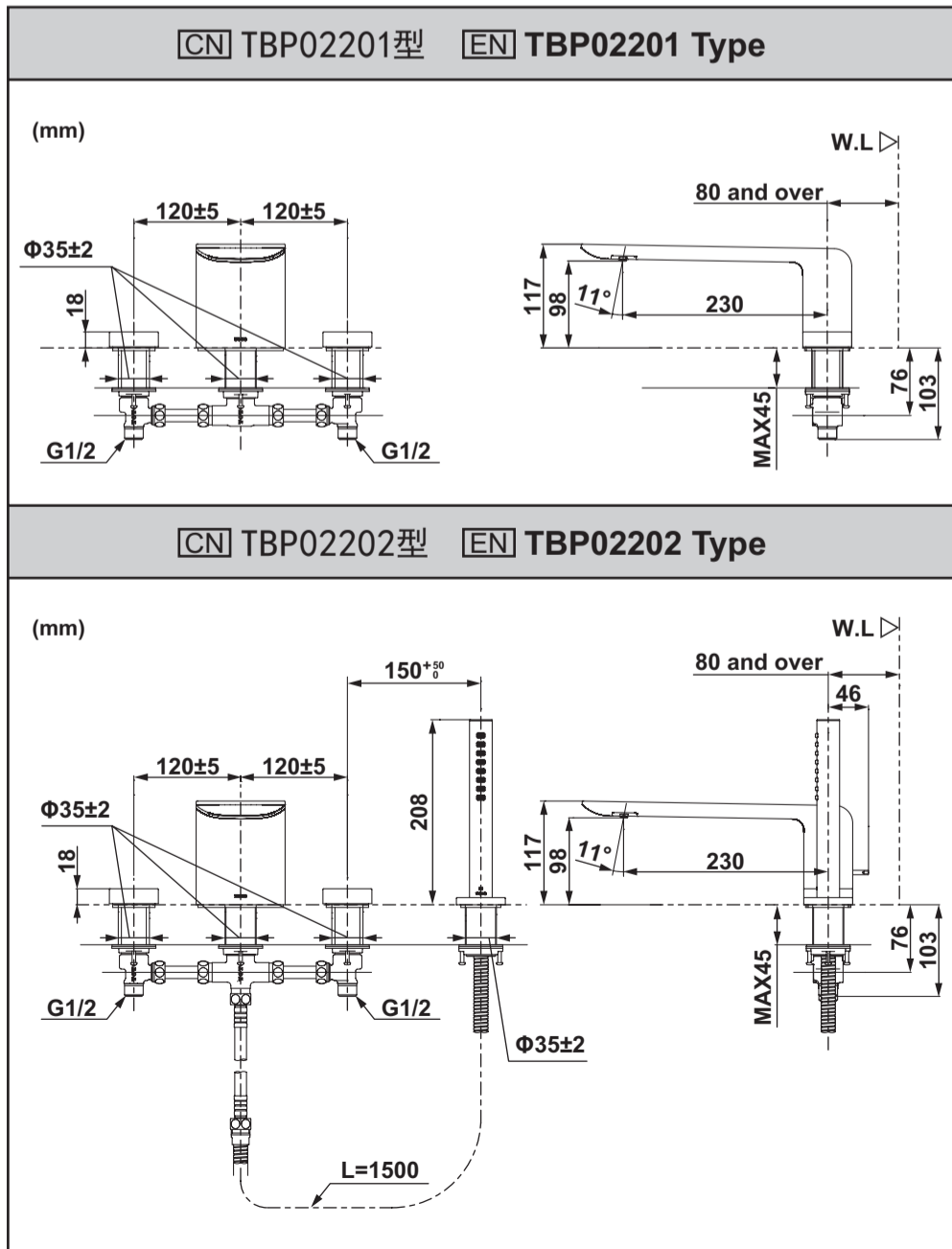
 <b>WARNING</b>	This indication means that if the content in the column of this indication is ignored or handled wrongly, death or serious injury may occur.	 Indicates things that you must not do as "Prohibited". The left figure indicates that "Disassembly is Prohibited".
 <b>CAUTION</b>	This indication means that if the content in the column of this indication is ignored or handled wrongly, injury or property damage may occur.	 Indicates things that you must do without fail as "Mandatory". The left figure indicates to "Execute it without fail".

 <b>CAUTION</b>	
 Prohibited	<b>Do not subject the product to strong force or impact.</b> Otherwise, the product may break and leak water that may wet household articles and cause damage to your property.
 Mandatory	<b>Do not use the product in any place where freezing can be expected.</b> Otherwise, parts may break and leak water that may wet household articles and cause damage to your property.

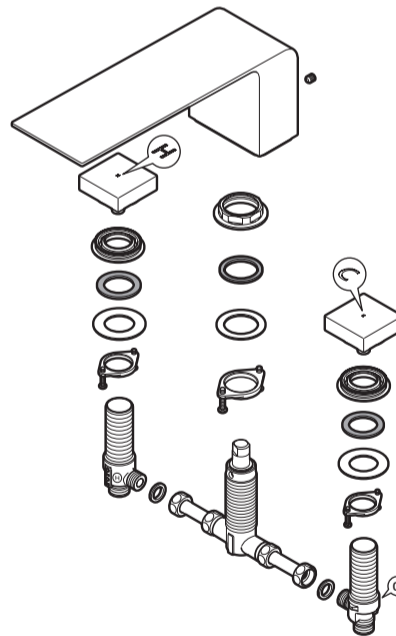
 <b>WARNING</b>	
 Prohibited	<b>Do not connect the cold water pipe and the hot water pipe reversely.</b> Even if you try to turn on the cold water, the hot water comes out and may scald you.
	<b>Do not use supply water at a temperature higher than 90°C.</b> If you use the water at a temperature higher than 90°C, the water may scald you and the life of the faucet may shorten causing it to break and leak water that may wet household articles and cause damage to your property.
	<b>Do not disassemble or remodel the product with other items than what are described in this manual.</b> Otherwise, the water may scald or injure you and the product may break and leak water that may wet household articles and cause damage to your property.
	<b>When you use the high-temperature hot water, do not directly touch the spout.</b> The spout is heated hot and you may get scalded.
 Disassembly Prohibited	
 Do Not Touch	

**CN** ※因产品型号不同，图片与实物可能稍有差异。

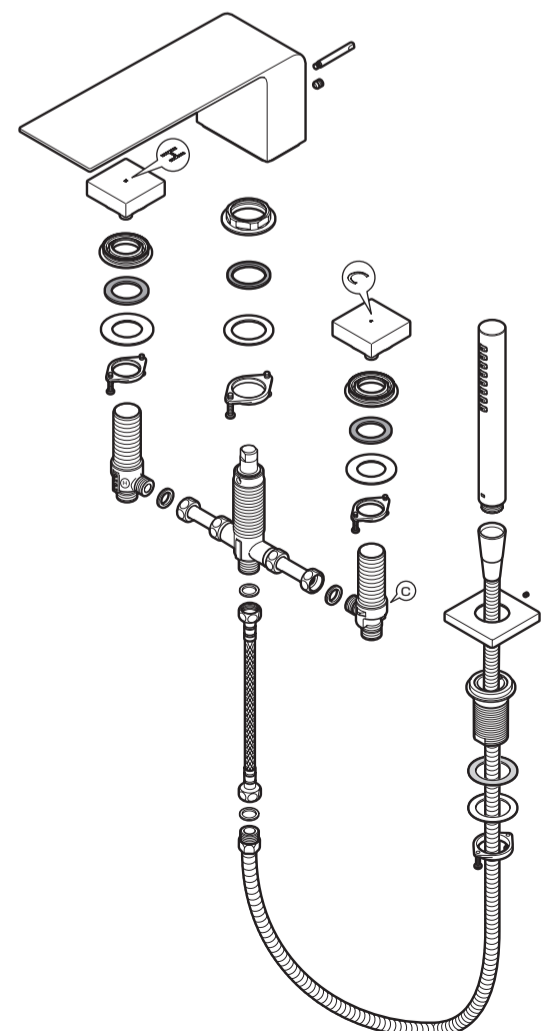
**EN** \*The shape of the actual product may differ somewhat from drawings depending on the model number.

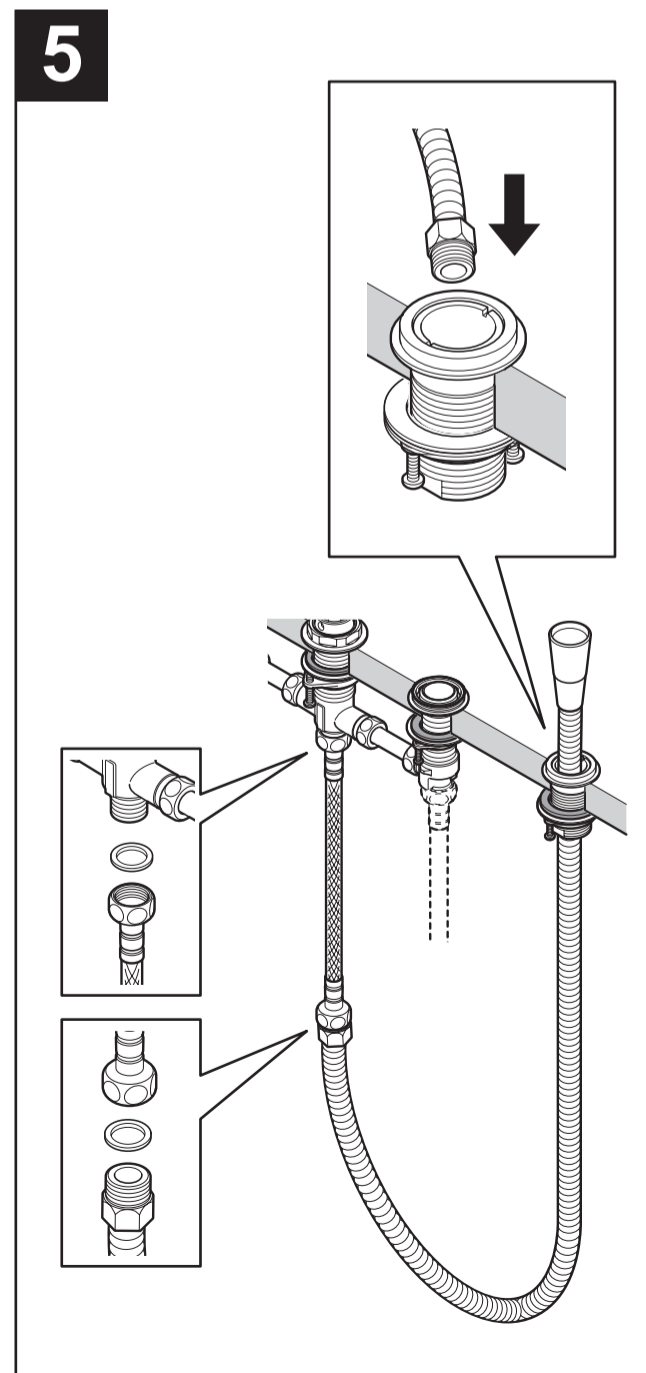
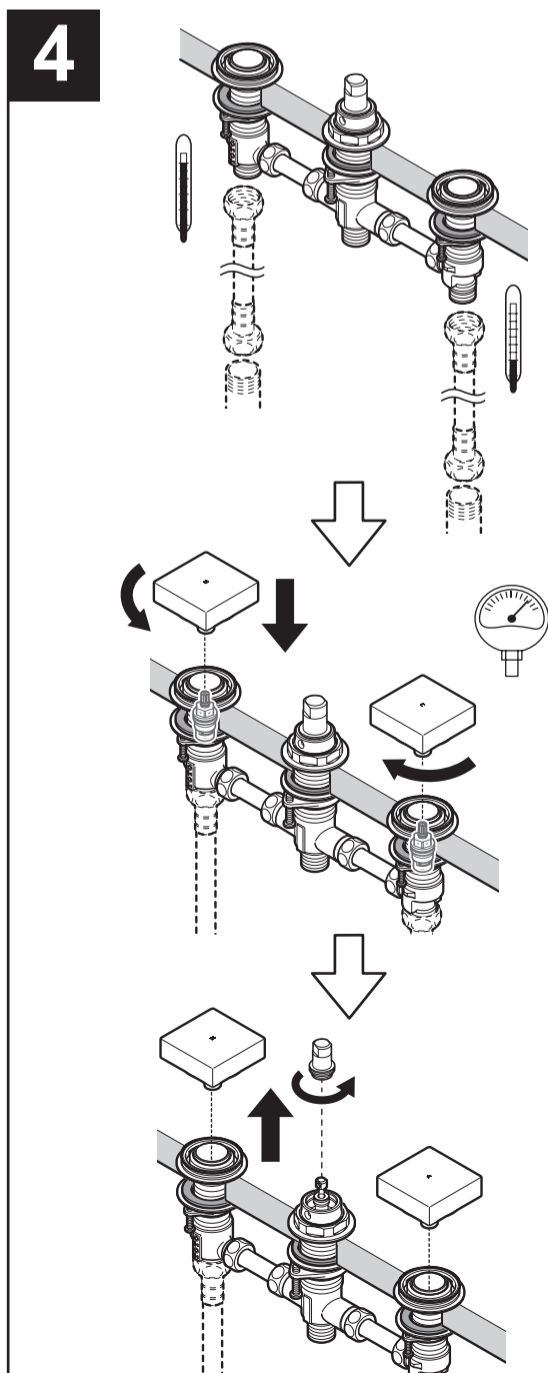
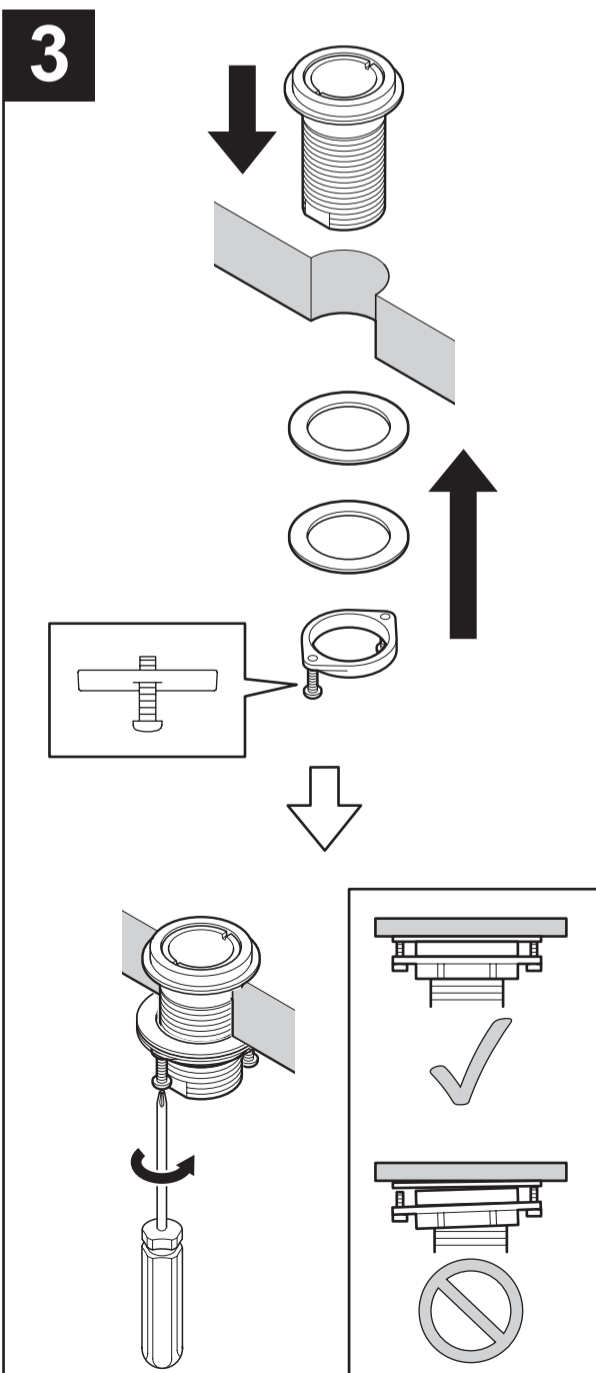
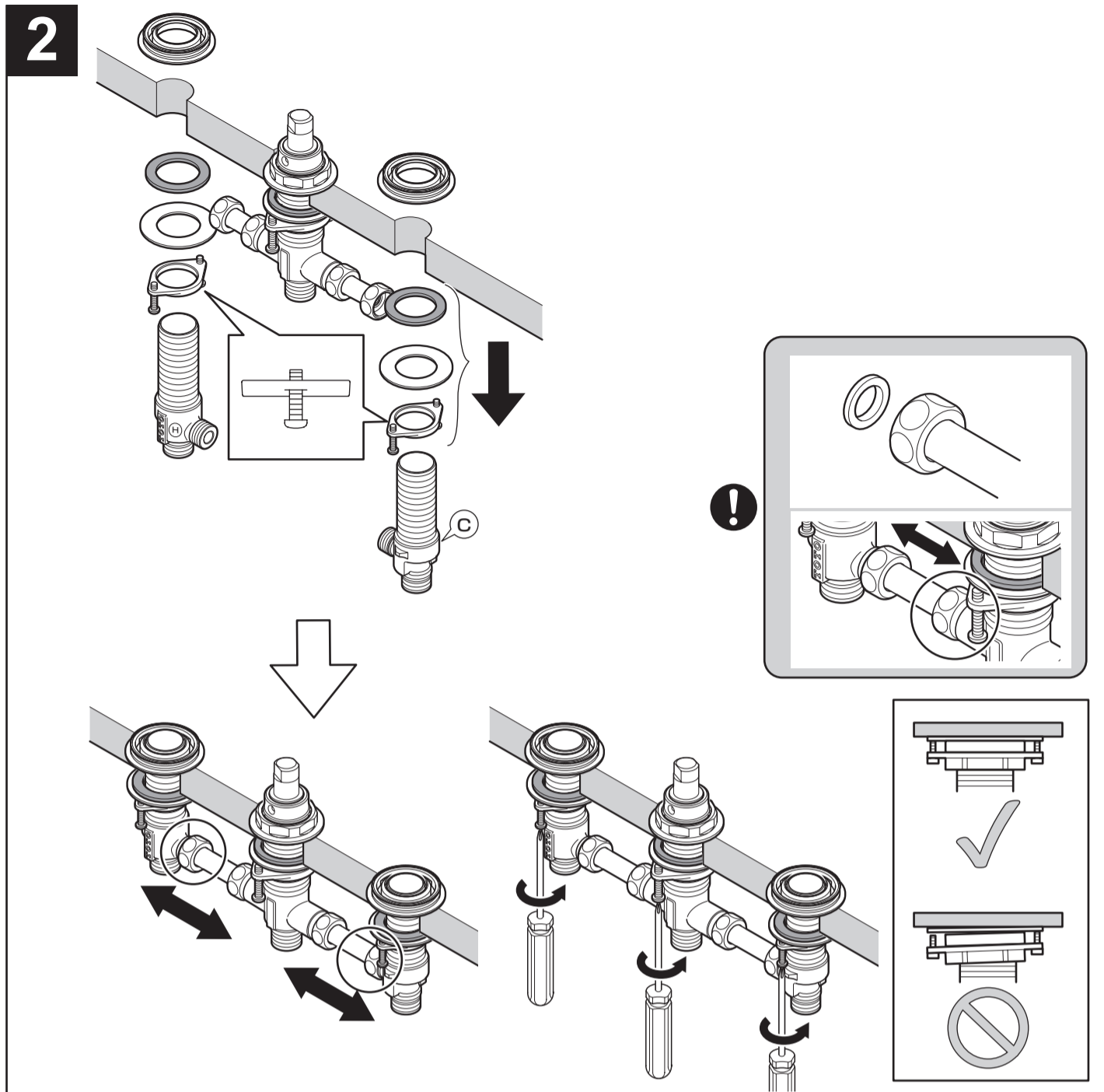
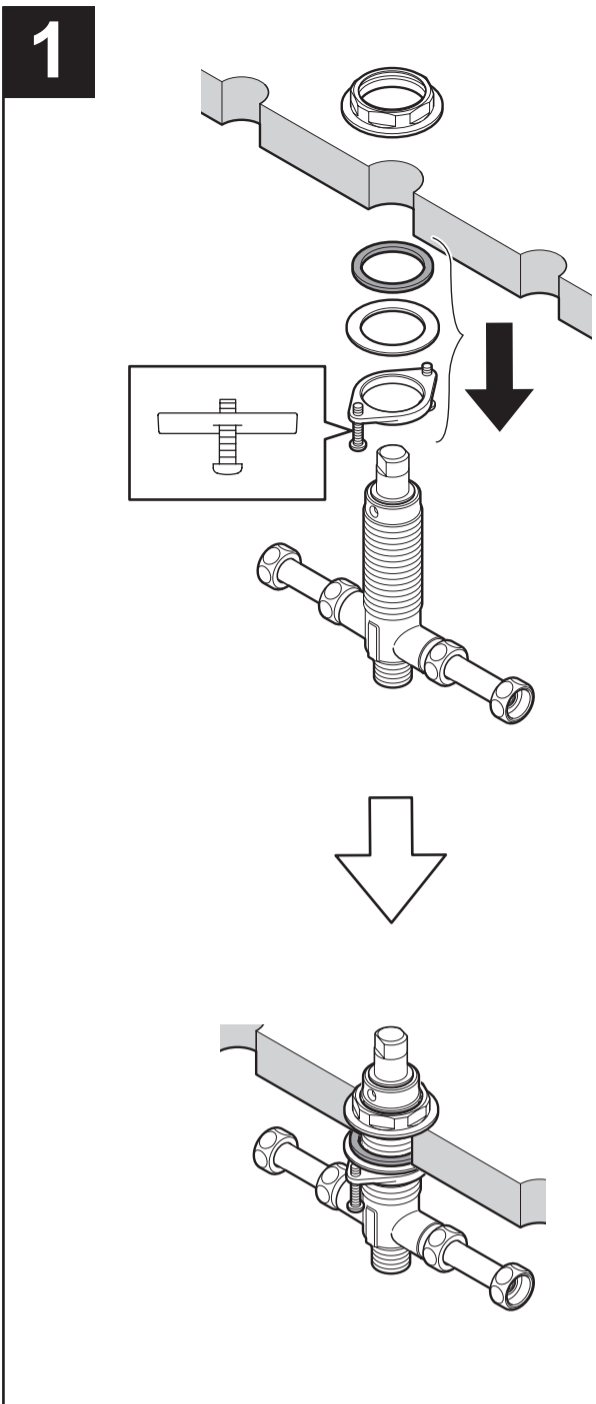


**CN** TBP02201型  
**EN** TBP02201 Type



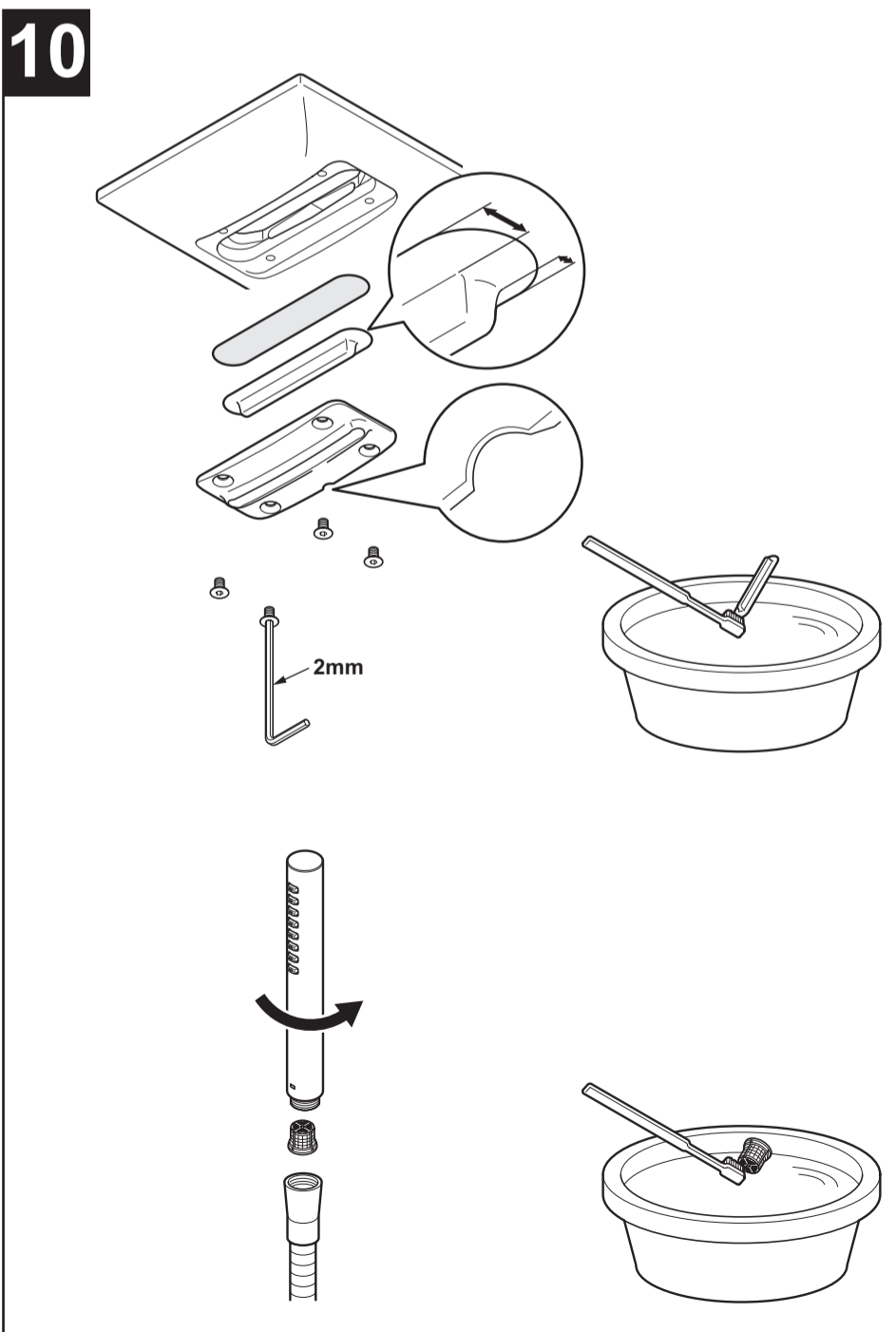
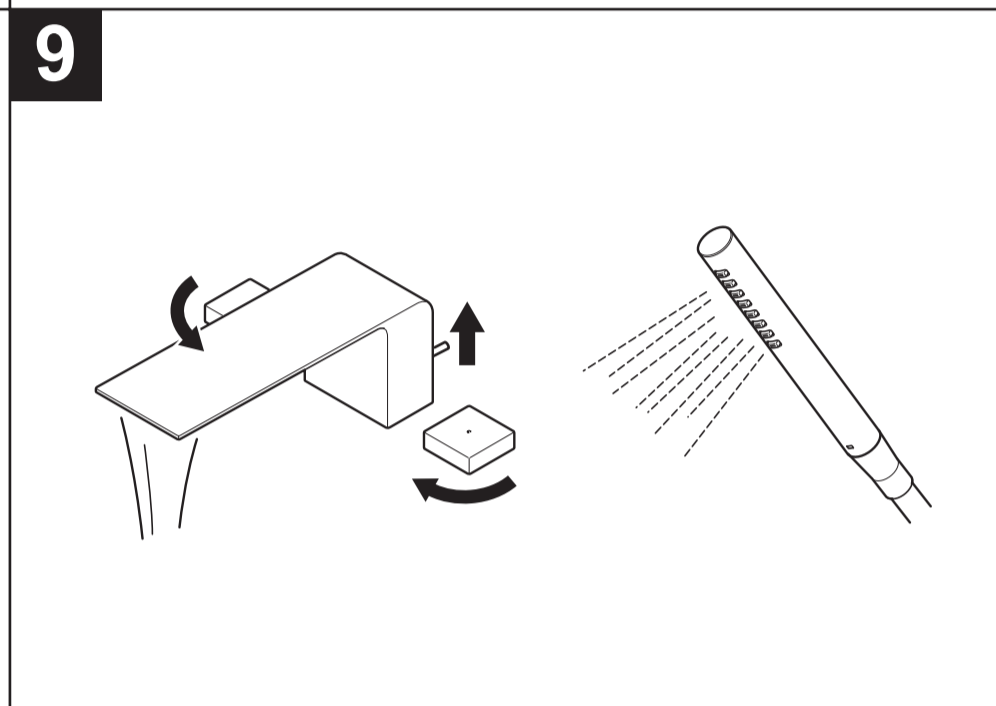
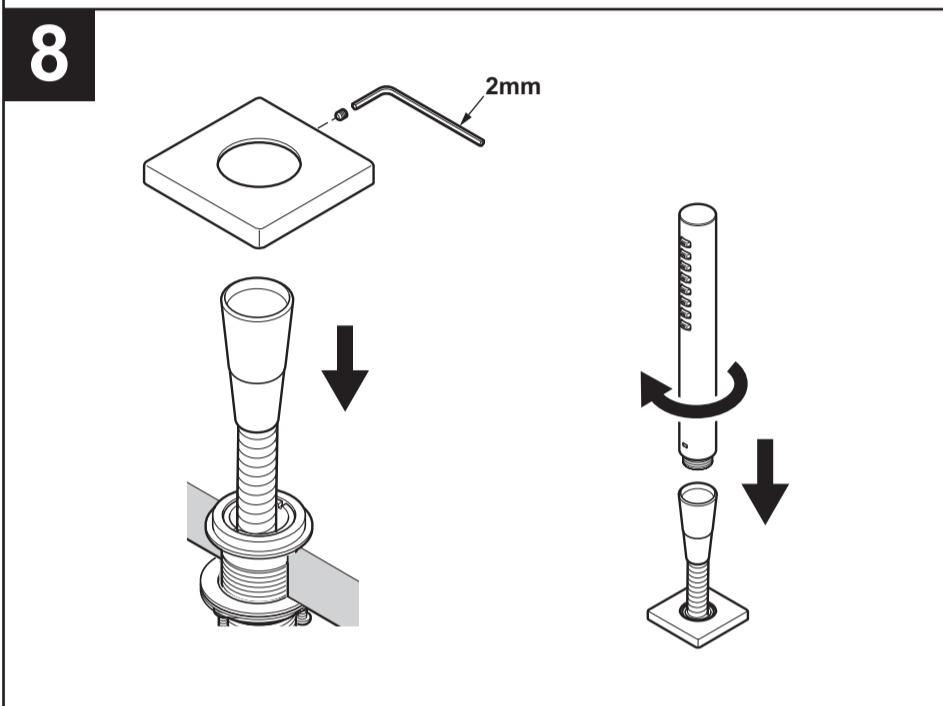
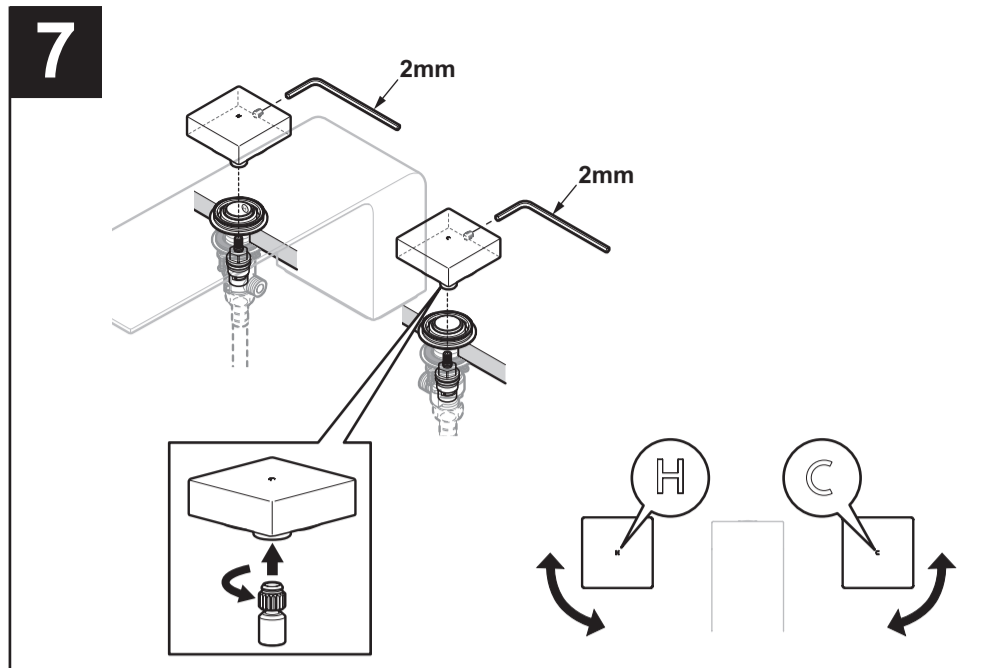
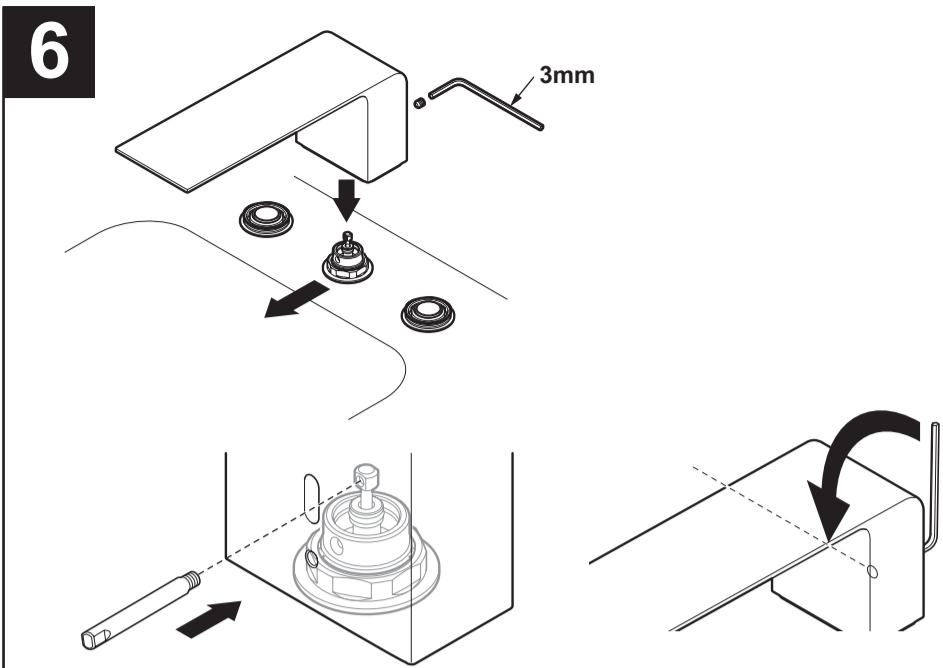
**CN** TBP02202型  
**EN** TBP02202 Type





接下页

Continued on the back cover



## 安装前的须知

- 供水压力超过1.0MPa时，请务必使用市场销售的减压阀，将供水压力降至0.1~0.5Mpa。  
为了让客户能更舒适地使用本产品，推荐的供水压力为0.1~0.5MPa。
- 高压、大流量状态下使用，转换操作时的手感可能会加重。  
此时，请先用手柄调小流量，在进行转换操作。
- 为防止误操作而导致的烫伤，冷水水压必须高于或等于热水水压。  
如必须给热水侧加压时，热水侧压力也必须低于冷水水压。
- 为避免水嘴滴水，请勿在指定位置以外另设手持花洒支架。
- 为了减少供热设备到水嘴间的阻力，请按最短距离进行排管。  
水管须包裹保温材料。
- 包装产品之前，因执行通水试验，可能会在产品内部留有残水，但是产品性能上毫无问题。

## 安装前，请务必执行供冷水管和供热水管内部的清扫

安装产品前  
请另行准备市场销售的软管等与水桶。将软管连接到供冷水管和供热水管上，然后将供冷水管和供热水管内的垃圾或沙土等冲洗干净。



否则因供冷水管和供热水管内的垃圾或沙土堵塞阀芯而导致下列情况发生。

- ①吐水量少 ②吐水不止

## 通水本体部的安装

- ①清除安装孔周围的污垢。
- ②将本体安装螺母旋入通水本体螺纹的底部，然后，依次将垫圈、密封圈装入通水本体。
- ③从安装台面下方，将通水本体部装入安装孔。从台面上方旋入本体固定台座。

## 水嘴的安装

- ①将水嘴本体朝向浴缸内侧，然后，将水嘴本体压入通水本体部。
- ②从上方按住水嘴本体并用定位螺丝固定。（固定后多旋1/4圈）  
水嘴本体为固定式。安装后请勿从上、侧方施加压力，或用力旋转。否则可能造成台面损坏或表面损伤。
- ③将转换捏手旋入并拧紧。（带手持花洒时）

## 手柄的安装

- ⑦将手柄插入阀体部。然后，用内置的定位螺丝固定。  
※此时，定位螺丝应处于背面。



- 请在关闭状态下，调整手柄上的C-H标志，使其符合图示要求。
  - 请调整手柄位置，使其在操作过程中始终处于图示范围之内。
- ※通过调整阀芯轴上的嵌件，可以微调手柄的位置。

## 手持花洒的安装（带手持花洒时）

- ⑧①将花洒固定台座装饰盖盖上并固定。  
※此时，定位螺丝应处于背面。
- ②连接手持花洒和花洒软管。



请垂直旋入。  
否则可能会损坏螺纹。

## 阀体部的安装

- ②①与通水本体部的步骤相同。

① - ①②③



- 请务必将标有H标签的阀体部安装在热水侧，C标签的阀体部安装在冷水侧。
- 请务必将各本体部安装在安装孔中央。

- ②在确认密封圈安装到位的前提下，连接通水本体与阀体部之间的连接管并旋紧固定螺母。
- ③尽可能地旋紧本体部安装螺母，直至本体安装螺丝的有效调整范围之内。
- ④旋紧安装螺丝（2个）将垫圈压紧为止。

## 花洒固定台座的安装（带手持花洒时）

- ③①从台面上方装入花洒固定台座。然后，将密封圈、垫圈和安装螺母依次装入并旋紧。
- ②旋紧安装螺丝（2个），直到垫圈压紧为止。

## 供水软管的连接

- ④①用软管（现场准备）连接冷、热水管和阀体部。
- ②将手柄安装到阀体部上并旋至「开」。
- ③通水并确认各连接部位是否漏水。

## 花洒软管的安装（带手持花洒时）

- ⑤①将连接软管连接到通水本体部。
- ②将花洒软管穿过花洒固定台座。
- ③连接花洒软管和连接软管。



- 请确认密封圈没有遗漏。
- 连接花洒软管和连接软管时，请切勿旋转花洒软管上的螺母。

## 安装结束后的确认 吐水·漏水的确认

- ⑨●打开管道总阀，确认水嘴和手持花洒是否正常吐水。
- 请确认连接部有无漏水。

带手持花洒时

- 在水嘴侧吐水状态下，向上提拉转换捏手并确认手持花洒是否吐水。
- 分别确认连接管和手持花洒连接部有无漏水。

## 过滤网的清扫

- ⑩安装结束后，请务必清扫过滤网。  
如过滤网堵塞，不仅流量会减小，而且会造成只吐冷水或热水等问题，导致产品无法充分发挥应有的功能。请向客户说明需要定期清扫。

## 松动的确认

请确认手柄和水嘴本体有无松动。

## 规格

使用压力范围：最大	1.0 Mpa(静止时)
：最小	0.05 Mpa(流动时)
推荐使用压力：	0.1 - 0.5 Mpa
测试压力：	1.6 Mpa
最高供水温度：	90 °C
推荐供水温度：	带手持花洒型42°C以下。不带手持花洒型60°C以下。

**Before Installation**

- If the water supply pressure exceeds 1.0 MPa, reduce the pressure to about 0.1 - 0.5 MPa using a commercially available pressure reducing valve. We recommend a water supply pressure of about 0.1 - 0.5 MPa for comfortable use of the faucet.
- If the faucet is used with a large flowrate in a high-pressure water site etc., the changeover operation may feel heavy. In such case, reduce the flowrate from the handle before operating the faucet.
- In order to prevent scalding due to erroneous operation, be sure to set the cold water supply pressure higher than the hot water supply pressure or set them to the same pressure. Even when applying pressure to the hot water side, be sure to set the hot water supply pressure side lower than the cold water side.
- In order to prevent water dripping from the spout, it is not possible to mount a separate shower hanger.
- Connect the hot-water supply pipe at a minimum length from the water heater in order to reduce resistance and be sure to wrap the water supply pipe with thermal insulation.
- Since the flow is examined before packaging the product, some water may remain in the product, but nothing is wrong with the product.

**Cleaning the cold-/hot-water supply pipes before mounting the product.**

Before mounting the product  
Prepare a commercially available flexible hose, etc. and a bucket, connect the flexible hose to the cold-/hot-water supply pipes and flush out debris and sand in the cold-/hot-water supply pipes.



If you do not clean the inside of the cold-/hot-water supply pipes, debris, sand, etc. in the pipes may get caught in the valve and cause the following phenomenon.

- (1) Little water volume is discharged.
- (2) Water does not stop

**Anchoring the water passage body**

- 1 (1) Remove dirt around the mounting holes.  
(2) Mount the body mounting nut, washer and packing in this order on the product body. Screw in the body mounting nut down to the lowest thread.  
(3) Insert the body from under the counter and screw in the mounting metal fitting until it touches the body.

**How to mount the spout**

- 6 (1) Insert the spout into the water passage body shaft with the spout facing toward the inside of the bathtub.  
(2) While pressing the spout from above, anchor the spout with the setscrew so that the spout is set horizontally.  
(Retighten the setscrew by 1/4 of a turn.)  
The spout is of stationary type. Do not apply strong force from above and sides or turn it. Otherwise, the finished surface of the counter may be damaged or broken.  
(3) Screw in the changeover lever to mount it. (For products with a shower).

**How to mount the handle**

- 7 Insert the handle into the valve body and anchor it with the setscrew incorporated in the handle.

\* Set it so that the setscrew comes to the backside.



- Mount the handle so that C/H comes to the positions shown in the figure when the index of the handle shows the water off.
  - Mount the handle so that it comes to the position in the figure when the handle is operated.
- \* The handle position can be fine-adjusted by replacing the adjusting bush.

**How to mount the shower (For products with a shower)**

- 8 (1) Put the cover on the shower seat and anchor the seat.  
\* Set the shower seat so that the setscrew comes to the backside.  
(2) Connect the showerhead and the shower hose.



Screw it in straight.  
Screw threads may be damaged.

**Anchoring the valve body**

- 2 (1) Same procedure as that of the water passage body  
1 - (1) (2) (3)



- Be sure to mount the hot-water supply valve body (Label H) on the left side of the spout and mount the cold water supply valve body (Label C) on the right side of the spout.
- Mount the valve body in the center so that it does not deviate from the mounting hole.

- (2) Make sure that the packing is mounted and connect the connecting pipe of the water passage body to the valve body.
- (3) Press the body mounting nut and adjust the screw of the body mounting nut to a position where it can be screwed in.
- (4) Press the 2 screws of the body mounting nut strongly against the washer.

**How to mount the shower seat (For products with a shower)**

- 3 (1) Insert the shower seat from above the counter, screw in the packing, the washer and the body mounting nut, and press the shower seat against the counter.  
(2) Press the 2 screws of the body mounting nut strongly against the washer.

**Connection of the connecting hoses**

- 4 (1) Connect the connecting hoses (field- procured) to the cold-/hot-water supply pipes and the valve body.  
(2) Insert the handle into the valve and set it in the "Open" position.  
(3) Run water through the piping and check the connections for water leak.

**How to connect the shower hose (For products with a shower)**

- 5 (1) Connect the connecting hose to the water passage body.  
(2) Insert the shower hose into the shower seat.  
(3) Connect the shower hose to the connecting hose.



- Make sure that the packing is mounted.
- When connecting the shower hose to the connecting hose, never turn the nut on the shower hose side.

**Checking after installation Water flow and water leaks**

- 9 • Open the main valve of the piping and check to see if the water comes out from the spout and the shower.  
• Check the connections for water leaks.

For products with a shower

- While letting water flow from the spout, pull up the changeover lever and check to see that water comes out from the shower.
- Check the connections of the connecting hose and showerhead for water leaks.

**How to clean the filter**

- 10 Be sure to clean the filter after mounting.  
If the filter is clogged, the flowrate decreases and only cold water or scalding hot water comes out, thus the product does not fulfill its purpose.  
Explain things to the customer and recommend cleaning from time to time.

**How to check for looseness**

Check the handle and the spout for any looseness.

**Specifications**

Operating pressure range : Max	1.0 MPa (Static)
: Min	0.05 MPa (Dynamic)
Recommended Operating pressure :	0.1 - 0.5 MPa
Test pressure :	1.6 MPa
Hot water temperature :	Max. 90 °C
Recommended hot water temperature :	60 °C