

施工说明书 Installation Manual

安装产品前请仔细阅读本施工说明书，并保留备用。
Before installing the product, please read the Installation
Manual carefully and keep it for future reference.

TOTO

TOTO



安装完成后，本说明书务必交由客户保存。
After installation, the manual must be kept by the customer.

0G349G(B)
2023.05

目录

目 录

目录.....	1
明细单.....	2
使用条件与施工上的注意.....	3-4
施工上的注意与保养.....	4
安装完成图.....	5-9
水嘴的安装	10-12
生产厂家与销售商.....	13

TOTO Asia Oceania Pte. Ltd.

Telephone: 65-6744-6955

FAX: 65-6841-0819

Address: 10 Eunos Road 8 #12-07 Singapore Post Centre
Singapore 408600

Website: asia.toto.com

TOTO KOREA LTD.

전화번호: (02)-3141-8236

FAX번호: (02)-3141-8240

주소 :서울시마포구상수동351-16번지로이코빌딩3층

홈페이지 : <https://kr.toto.com/>

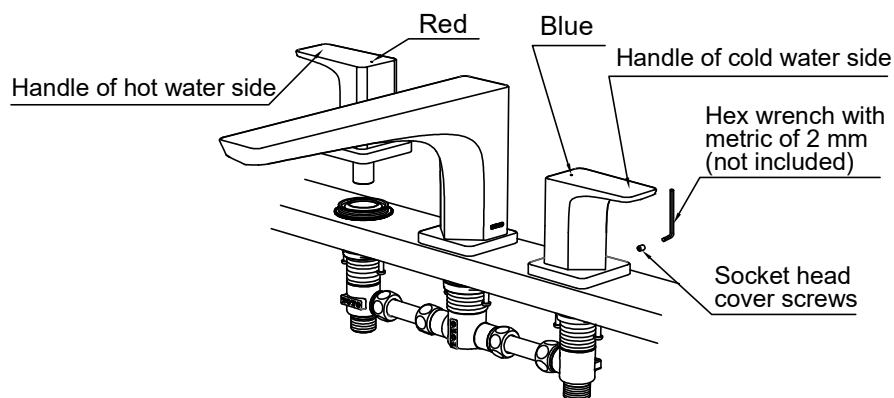
Installation of Spout

(4) Handle installation

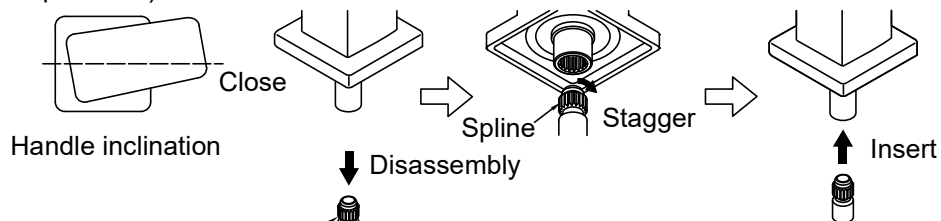
When the valve is in a closed status, insert the handle into the valve body and align the handle with the spline in the valve body. When the inserted handle collar firmly coincides with the lavatory top, fasten the set screws in the handle collar.

⚠ Attention:

1. During installation, be sure to check the cold and hot directions to avoid reverse installation (the handle with red is hot water and the handle with blue is cold water).
2. During installation, be sure to check the opening and closing directions to avoid reverse installation (the anticlockwise direction is opening and the clockwise direction is closing at the hot water side; the clockwise direction is opening and the anticlockwise direction is closing at the cold water side).



3. Adjustment during installation and handle inclination (take out the adjusting connector and stagger the spline adjustment angle, which may need to be adjusted several times according to different insertion positions).



Adjusting connector
The adjusting connector will fall off if pulled with force

Please insert the adjusting connector firmly, and make sure that the adjusting connector is secure after insertion.

明细单

明细单

水嘴主体部.....	1套
通水本体部.....	1套
阀芯本体部.....	2套
手柄部.....	2套
非石棉垫片.....	2个
施工说明书.....	1本
使用说明书.....	1本

使用此明细单的产品包括:

- TBG07201* 铜合金台式双柄双控浴缸水嘴
- TBG08201* 铜合金台式双柄双控浴缸水嘴
- TBG09201* 铜合金台式双柄双控浴缸水嘴
- TBG10201* 铜合金台式双柄双控浴缸水嘴
- TBG11201* 铜合金台式双柄双控浴缸水嘴

使用条件与施工上的注意

使用条件

1. 供冷水*热水压力:

最低压力·····0.05MPa (流动压)

最高压力·····1.0MPa (静压)

推荐使用压力·····0.1~0.5MPa (流动压)

检测压力·····1.6MPa (静压)

2. 供水温度在4℃~90℃, 建议使用热水温度60℃, 供热水请勿使用蒸汽。

3. 使用环境温度0℃以上。如果低于0℃, 水嘴会出现变形、冻裂现象。

4. 长时间不使用时, 可能导致水嘴内部及外部锈蚀不能使用等现象。

5. 如果您需要废弃本产品, 请勿将其作为一般生活垃圾处理, 请依照法规经由独立的回收体系进行合适的处理、恢复和回收。

6. 本说明书中的产品具有清洗功能。

施工上的注意

⚠ **警告** 表示如果无视此标志而误操作时, 有可能造成人员重伤或死亡。

⚠ **注意** 表示如果无视此标志而误操作时, 有可能造成人身伤害或财产损失。

⚠ 警告

1. 水嘴的供热水一侧处于高温状态, 请注意勿使皮肤直接接触五金配件表面, 否则可能会烫伤。

2. 请勿配反冷*热水配管, 否则可能会烫伤。

3. 供热水请勿使用蒸汽, 否则可能会烫伤。

⚠ 注意

1. 安装前, 请先确保产品包装完整、配件及附属品等齐全。

2. 请勿撞击本产品, 否则可能会造成故障、漏水。

3. 随着产品式样的不断更新, 实物存在与图示不符的情况, 但基本安装、使用原理相同。

Installation of Spout

(2) Fixing of water-passing body and valve spool body under the lavatory

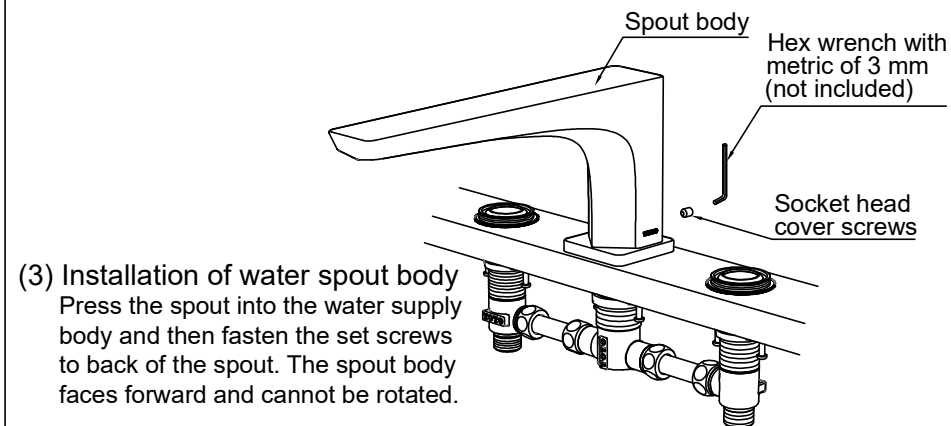
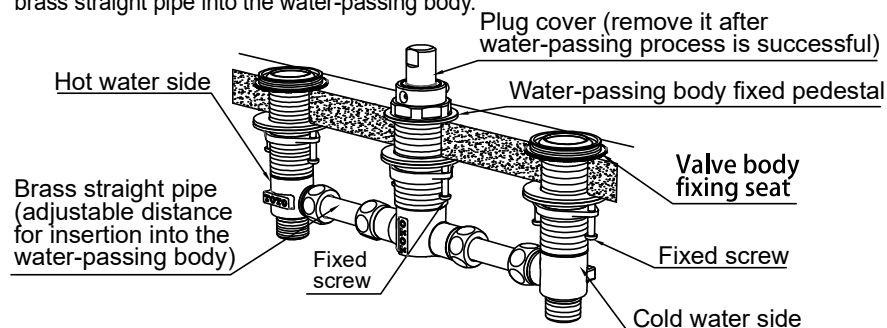
① Pass the connected water-passing body and the valve spool body from the underside of the pedestal through the previously installed mounting holes, and then fix the water-passing body on the pedestal by using the fixed pedestal;

② Use a Phillips screwdriver to tighten the fixed screws of the water-passing body and the valve spool body, so that the water-passing body and the valve spool body are tightly fastened on the pedestal without shaking, and ensure the connected brass straight pipe is placed horizontally.

⚠ Attention:

1. In this installation state, the water-passing inspection can be carried out to check whether there is water leakage. If there is no water leakage, the plug cover can be removed and stored separately.

2. When the product is passed through the mounting hole from the underside of the pedestal, if the product is not aligned with the mounting hole properly, it can be solved by regulating the distance from the valve body to the water-passing body through the distance of insertion of the brass straight pipe into the water-passing body.



(3) Installation of water spout body
Press the spout into the water supply body and then fasten the set screws to back of the spout. The spout body faces forward and cannot be rotated.

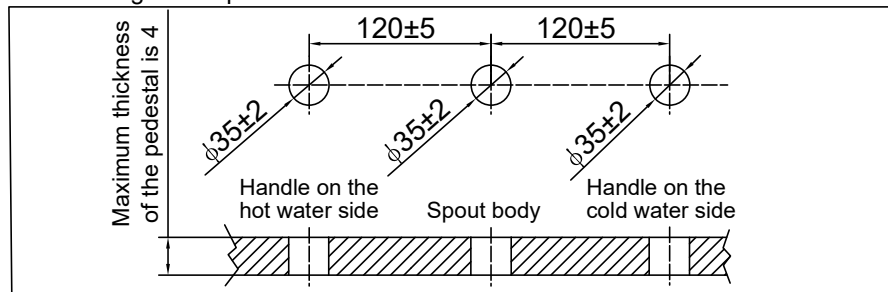
Installation of Spout

1. Cleaning in the water supply pipe

Before installation, be sure to flush foreign matter such as dust and gravel in the water supply pipe.

2. Hole setting

Hole Setting on the pedestal



⚠ Attention:

When installing the product, keep the spout body and handle side in the center of the mounting hole as much as possible.

3. Installation of Spout

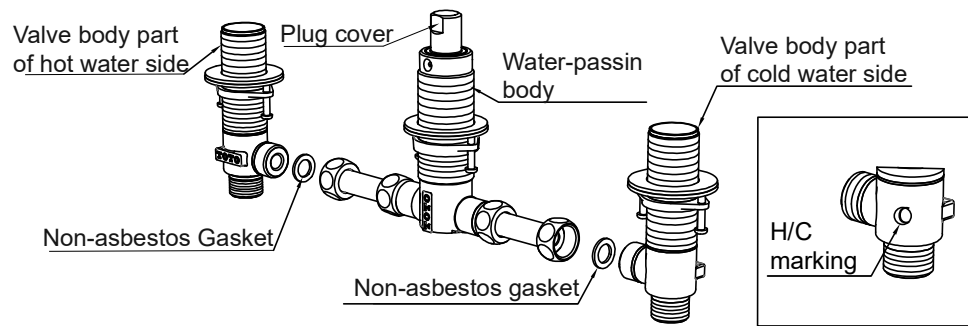
The dirt around the mounting hole must be removed before installation and refer to the figure below for the installation of the main body. The specific installation methods are:

(1) Installation of the water-passing body under the pedestal and valve spool body

First remove the fixed nut of the water-passing body, and then fully connect and tighten the water-passing body and the valve spool body through the non-asbestos gasket.

⚠ Attention:

On the valve body of the cold water side, a label **©** is affixed and on the valve body of the hot water side, a label **Ⓜ** is affixed.



施工上的注意与保养

⚠ 注意

4. 在可能结冰的场所使用时，要切实做好防冻措施。因结冰，零件破损，有可能导致漏水，造成财产损失。因结冰而造成的破损即使在保修期内也是有偿修理。请不要让产品的环境温度低于0℃。

防冻措施

在可能结冰的场所使用时，要切实做好防冻措施。

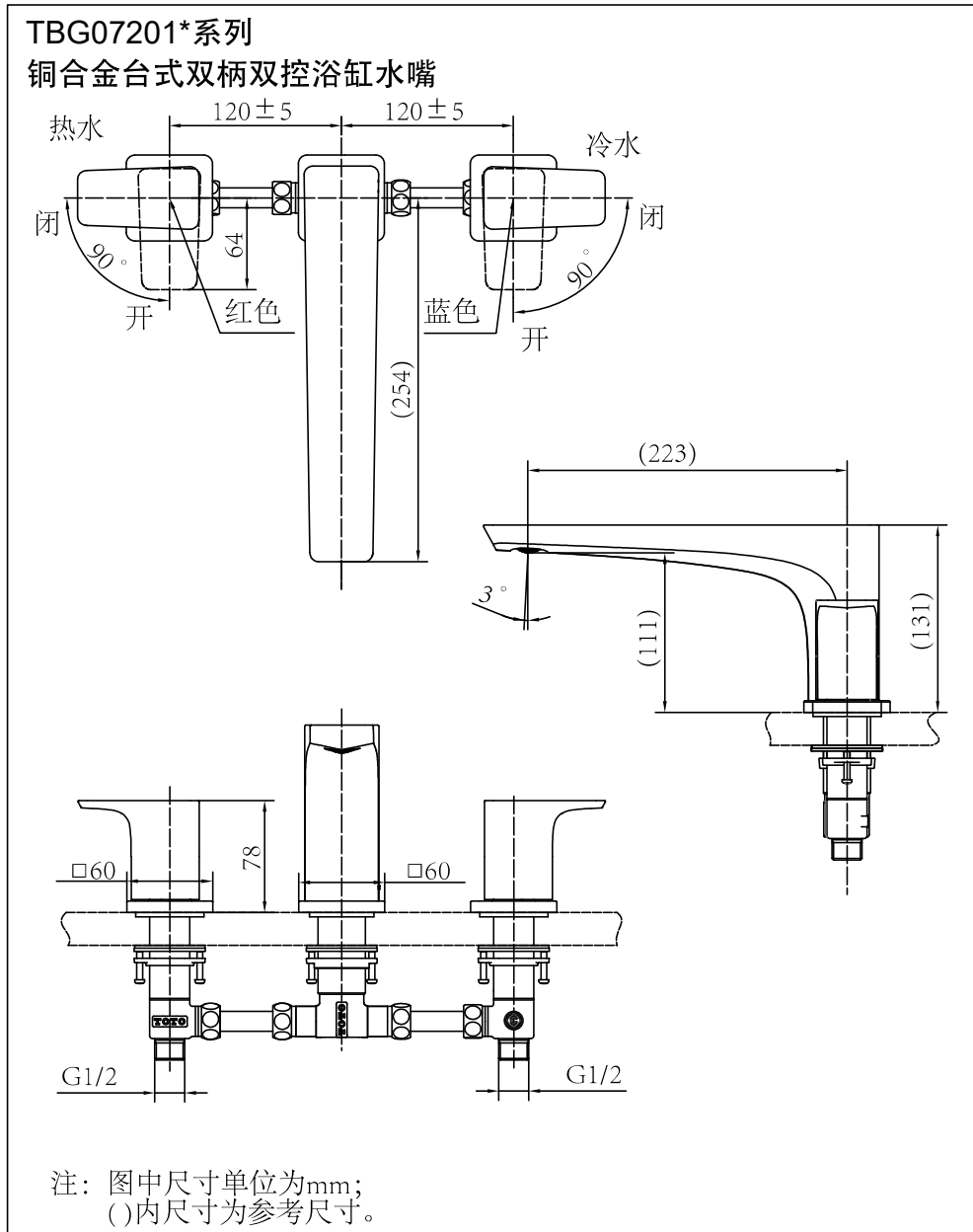
1. 产品结冰的话零件损坏，成为漏水的原因。
2. 因结冰造成的零件损坏即使在保修期内也是有偿修理。
3. 施工完了后或长时间不使用时，要有预防突然降温的准备，要对产品进行结冰预防。
4. 因为有结冰的危险，请不要让产品周围的温度在0℃以下。

保养

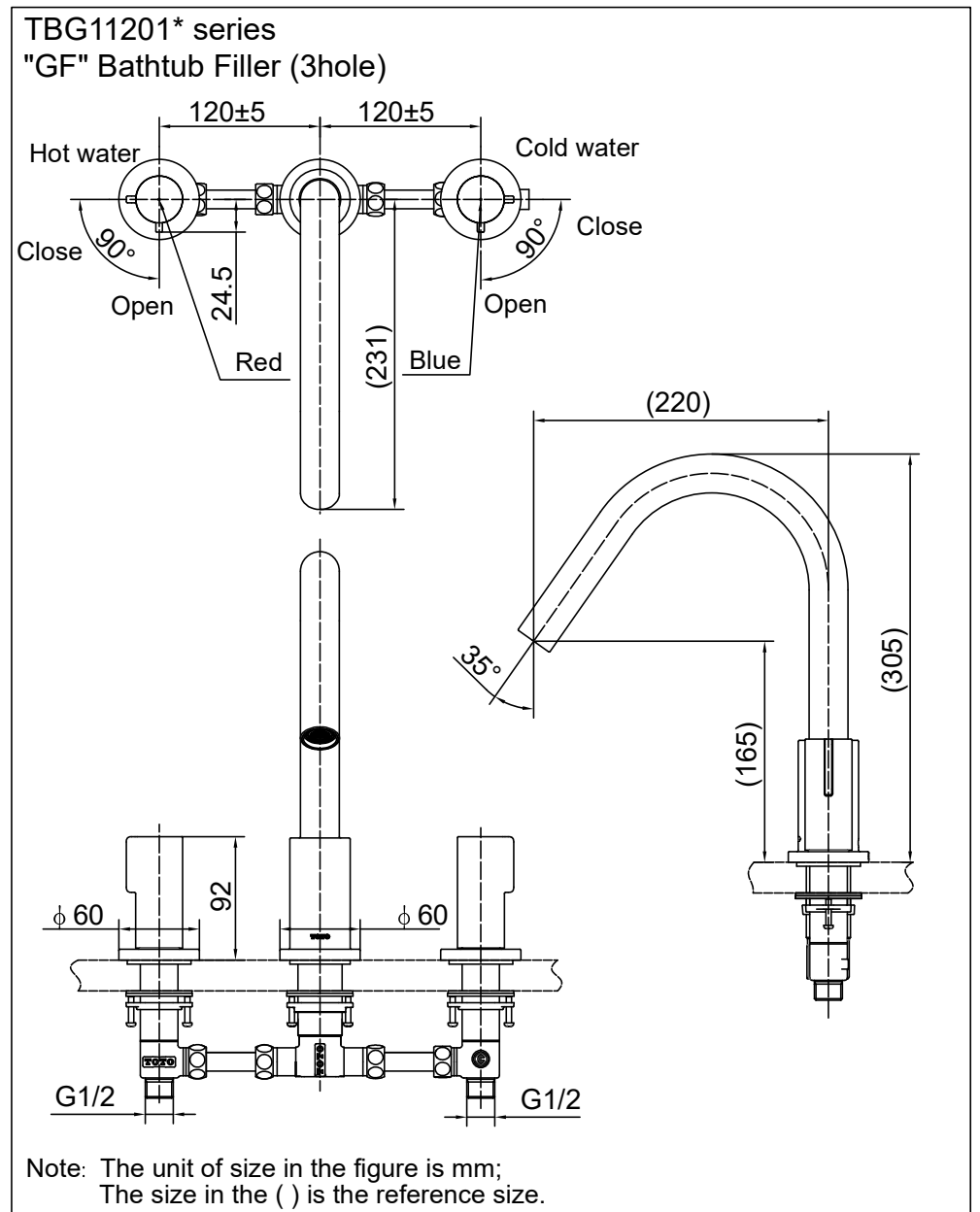
为长期保持产品的美观，请用户按以下方法维护保养。

1. 经常用软布擦拭或用软布蘸水擦拭。
2. 当有污垢且较明显时，请用中性洗涤剂擦拭后充分进行水洗。

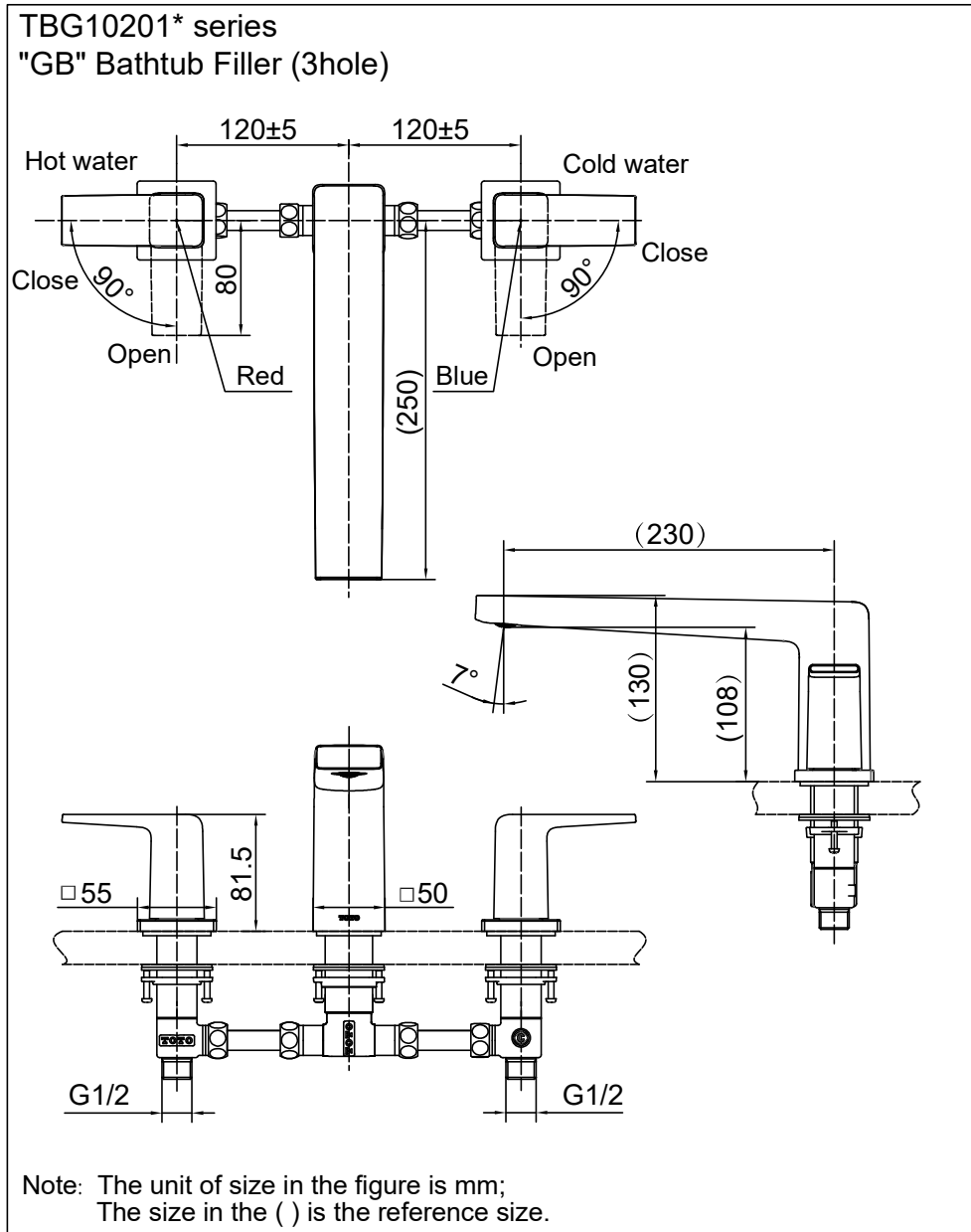
安装完成图



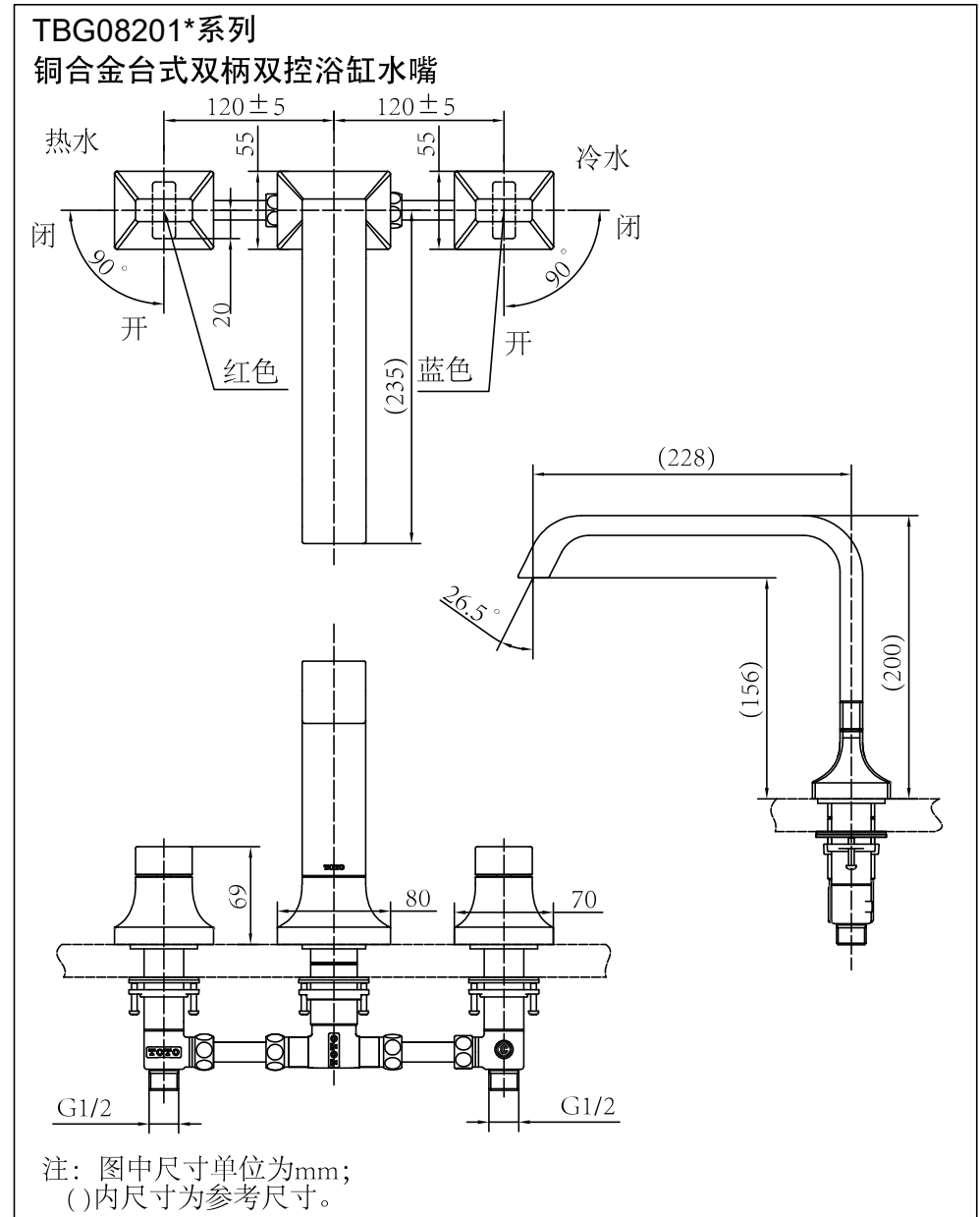
Installation completion diagram



Installation completion diagram

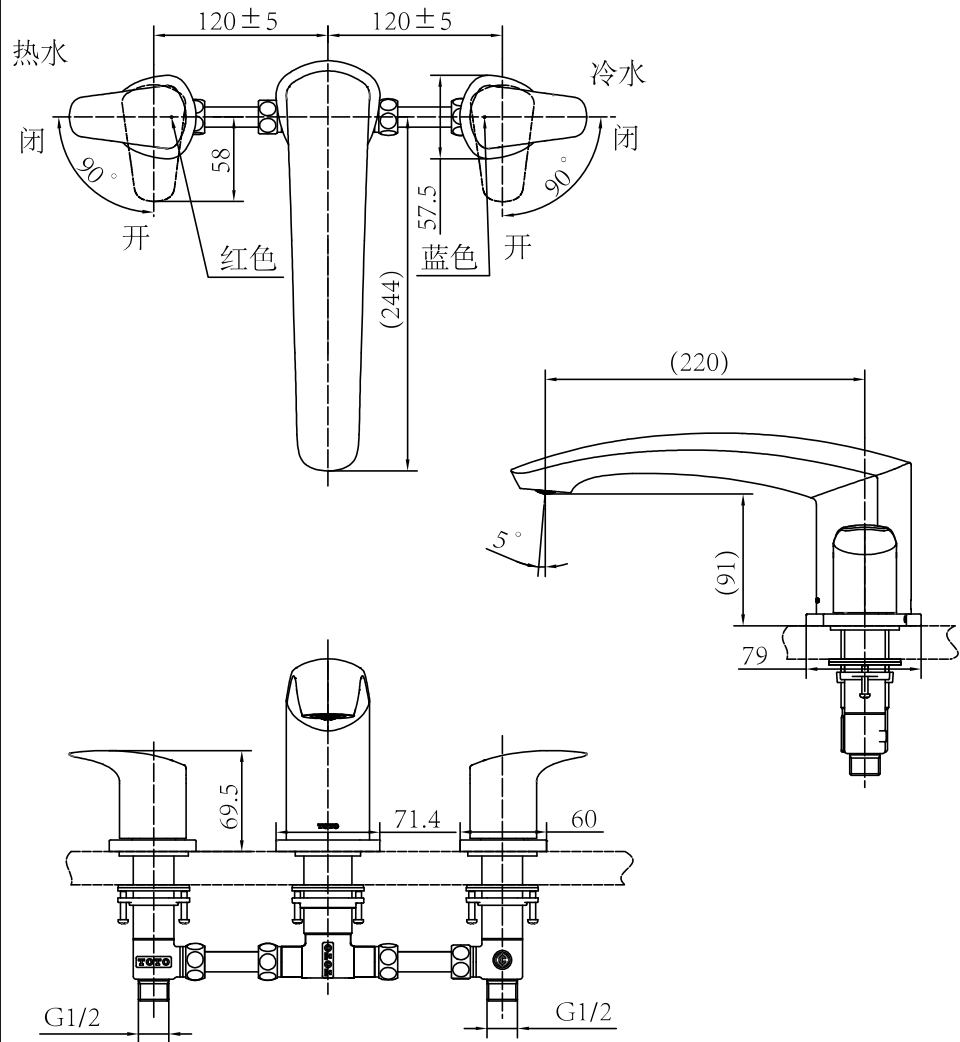


安装完成图



安装完成图

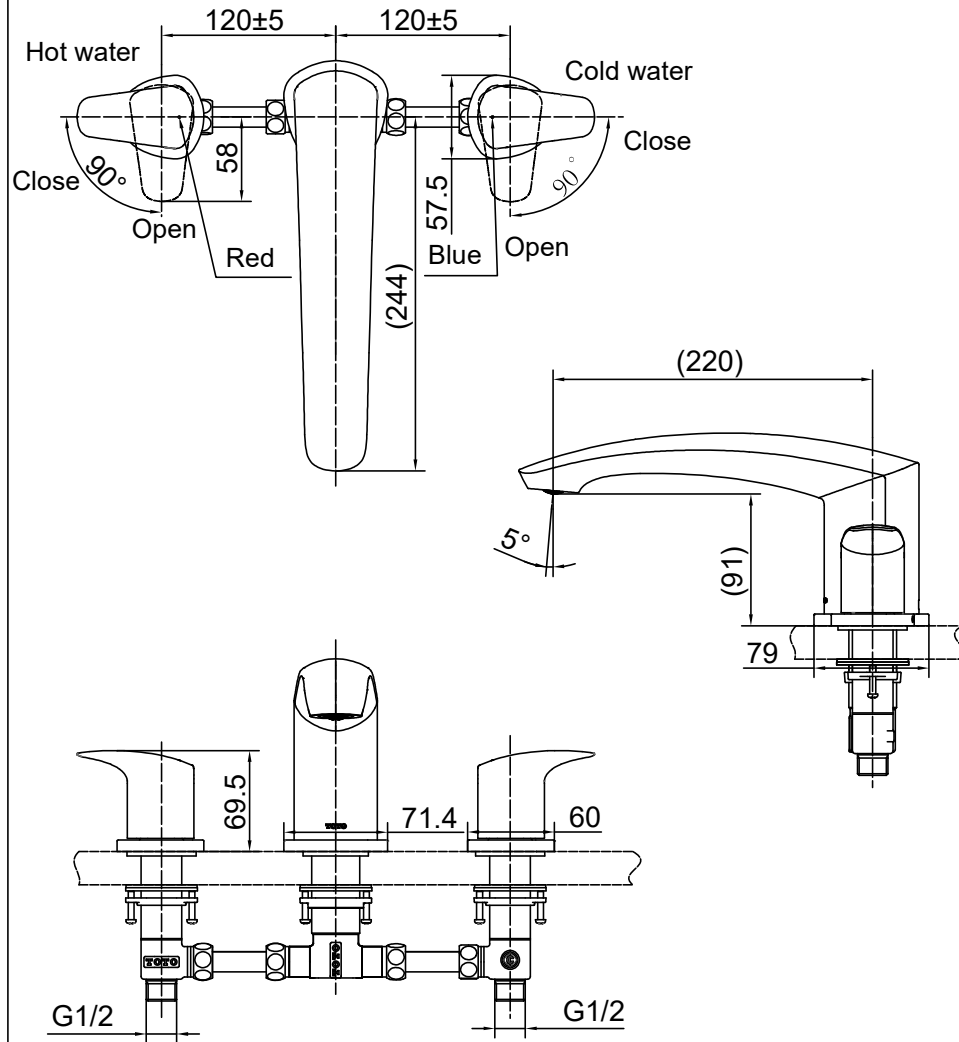
TBG09201*系列
铜合金台式双柄双控浴缸水嘴



注：图中尺寸单位为mm；
()内尺寸为参考尺寸。

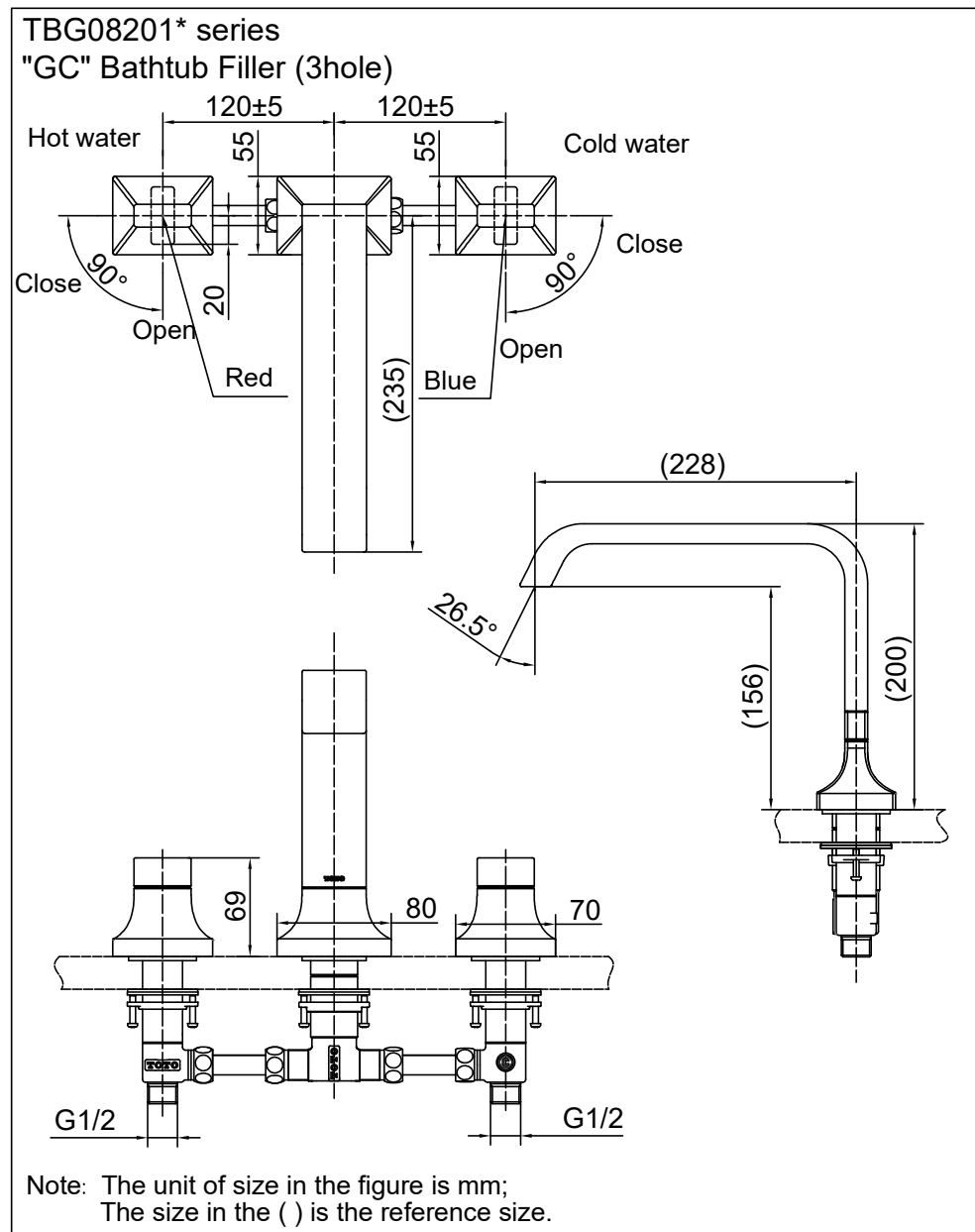
Installation completion diagram

TBG09201* series
"GM" Bathtub Filler (3hole)

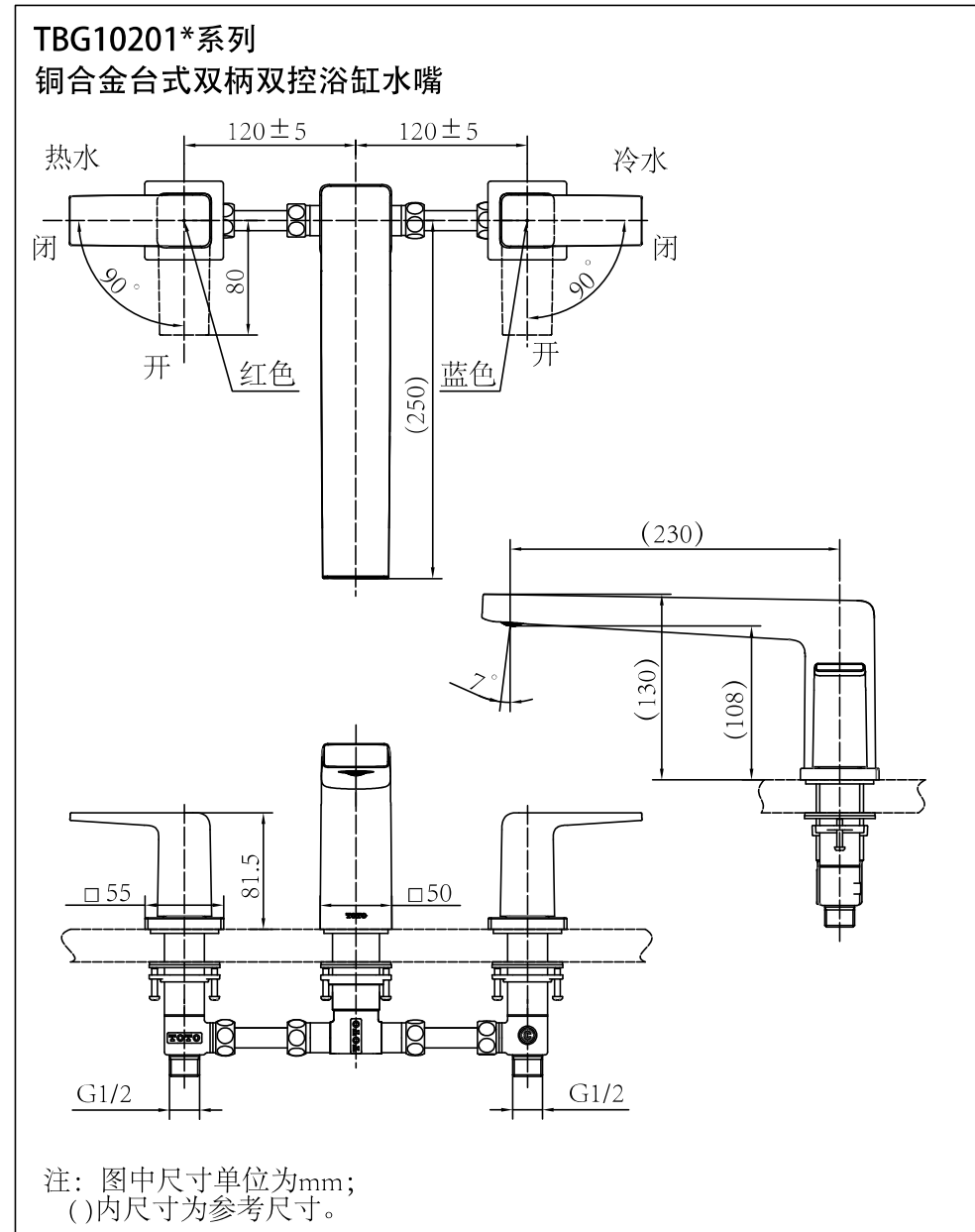


Note: The unit of size in the figure is mm;
The size in the () is the reference size.

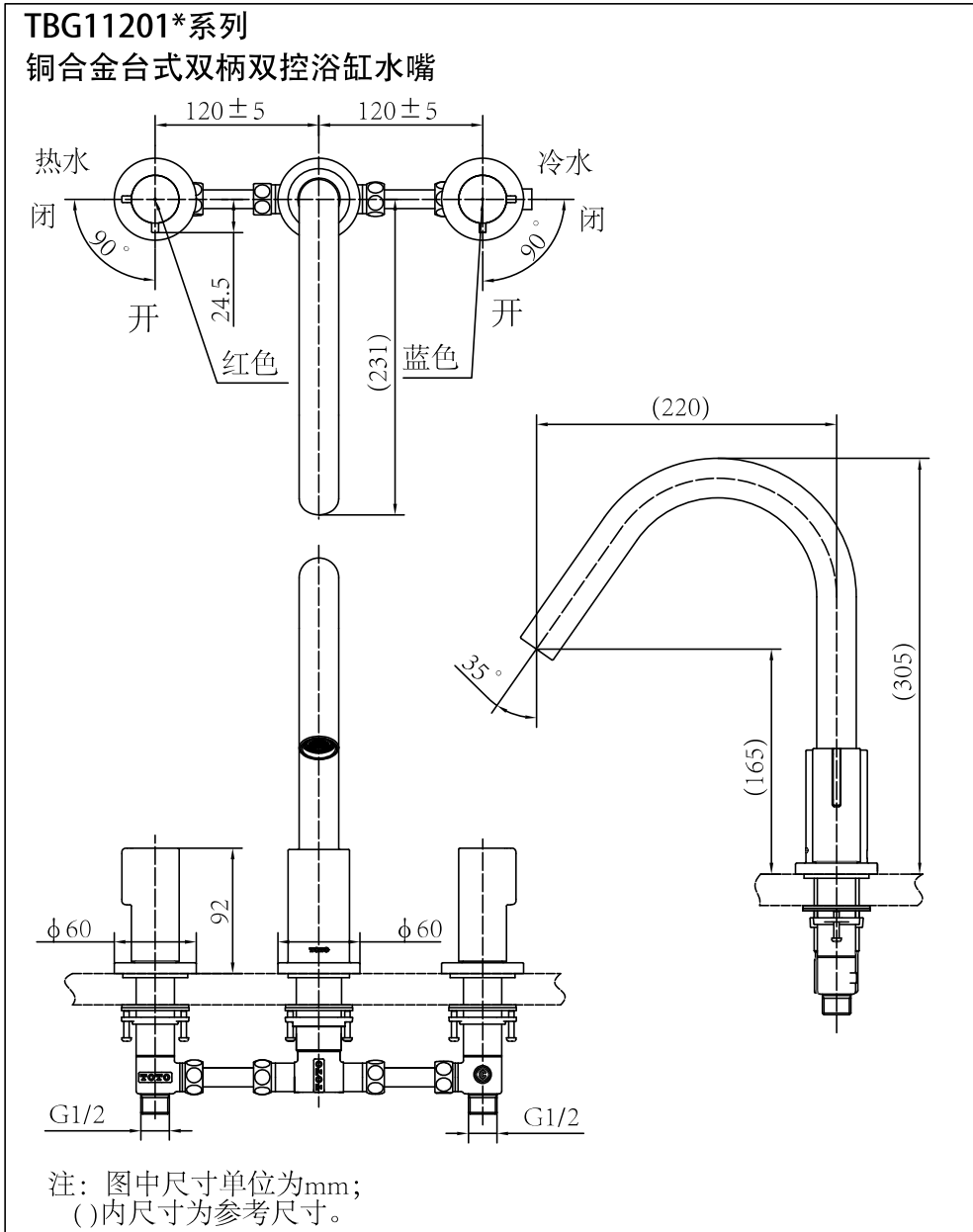
Installation completion diagram



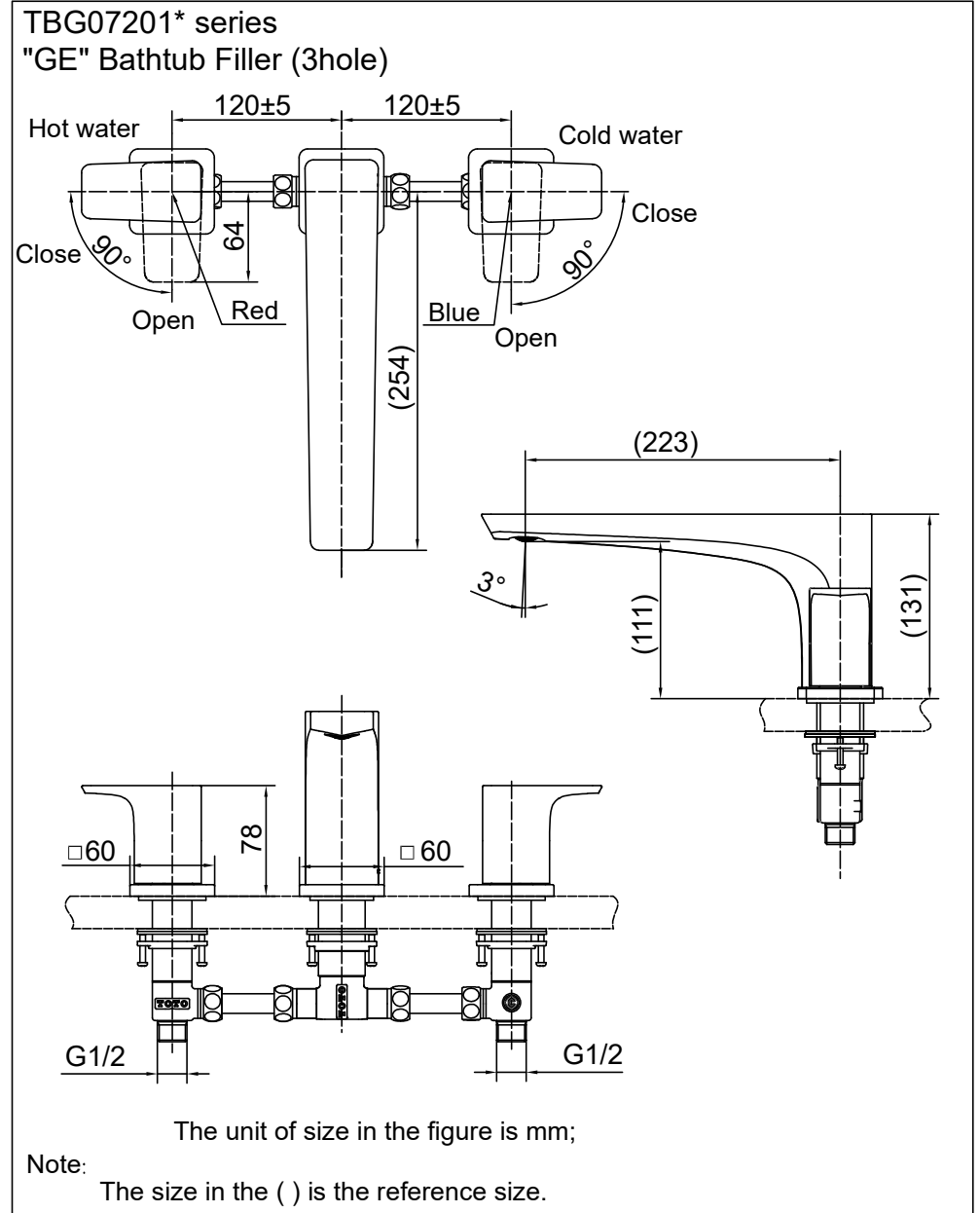
安装完成图



安装完成图



Installation completion diagram



Attention and Maintenance for Installation

⚠ Attention

3. With the product model being updated constantly, the physical object may not coincide with the figure. However, the basic installation and operation principles are the same.
4. When using in places where icing may occur, anti-freezing measures must be taken. The parts will be damaged due to icing, which may cause water leakage and property loss. Damages caused by icing are repaired for a fee even during the warranty period. Please ensure that the ambient temperature of the product is always above 0°C.

Anti-freezing measures

When using in places where icing may occur, anti-freezing measures must be taken.

1. The parts will be damaged due to frost damage, which may cause water leakage.
2. Damaged parts caused by frost damage are repaired for a fee even during the warranty period.
3. After the construction is completed or when it is not used for a long time, prepare to prevent sudden drop of temperature and prevent the product from frost damage.
4. Because of the risk of frost damage, please ensure that the ambient temperature of the product is always above 0°C.

Maintenance

In order to maintain the decent appearance of the product for a long time, please maintain it according to the following methods.

1. Wipe with a soft cloth often, or wipe with a soft cloth with water occasionally.
2. When there is dirt and it is obvious, please wash it with water thoroughly after wiping it with neutral detergent.

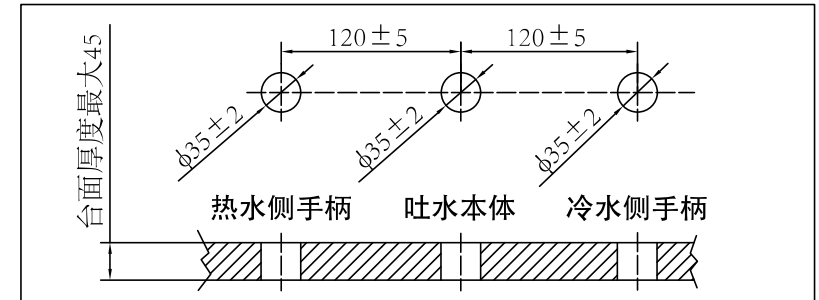
水嘴的安装

一.供水管内的清扫

安装之前，一定要冲净供水管内的灰尘、沙砾等异物。

二.孔的设定

台面孔的设定



注意：

安装产品时尽可能将吐水本体、手柄侧保持在安装孔的中央位置。

三.水嘴的安装

在安装前必须清除安装孔周围的污物，主体的安装参照下图，具体的安装方法是：

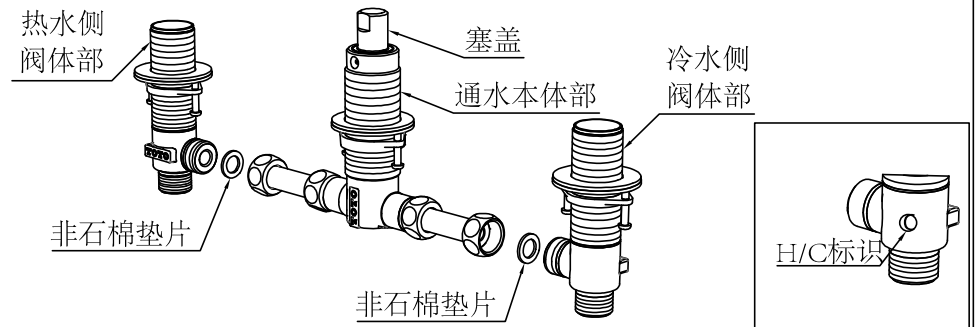
(1) 台下通水本体部及阀芯本体部的安装

先将通水本体部的固定螺母卸下，再将通水本体部和阀芯本体部通过非石棉垫片充分连接，拧紧。



注意：

冷水侧阀体部贴有C标签，热水侧阀体部贴有H标签。



水嘴的安装

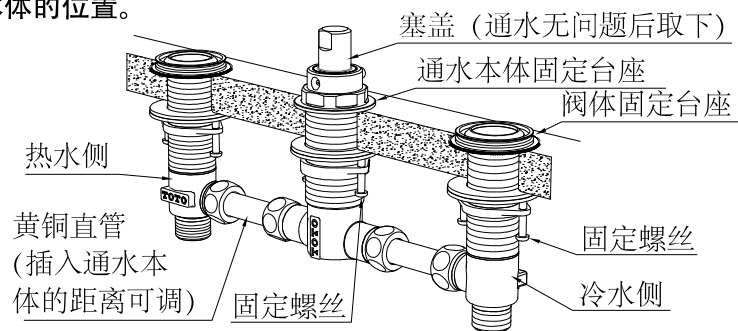
(2) 台下通水本体部及阀芯本体部的固定

- ①将连接好的通水本体部及阀芯本体部从台面下方穿过事先打好的安装孔，再使用固定台座将通水本体部固定在台面上；
- ②使用十字螺丝刀旋紧通水本体部、阀芯本体部的固定螺钉，使通水本体部、阀芯本体部紧固在台面上无法晃动，并保证连接的黄铜直管呈水平状态。



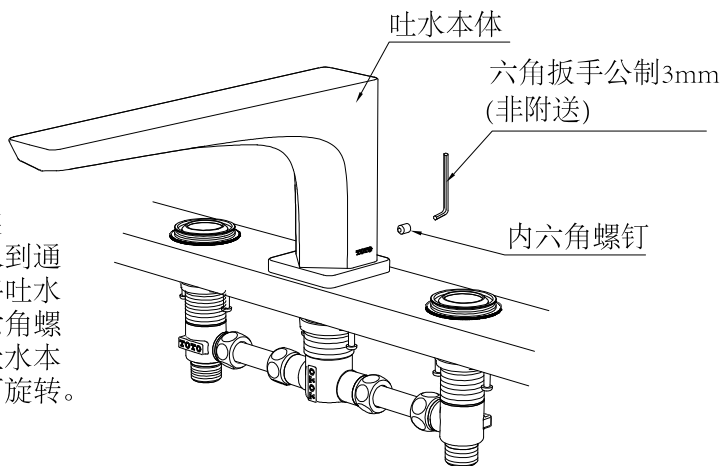
注意：

- 1.此安装状态下可进行通水检验，检查各个连接部件是否漏水，若不存在漏水现象可将塞盖取下，另行保管。
- 2.将制品从台面下方穿过安装孔时，若制品没能正好对准安装孔的位置，可通过黄铜直管插入到通水本体中的距离来调节阀体部和通水本体的位置。



(3) 吐水本体的安装

将吐水本体压入到通水本体中，再将吐水本体背面的内六角螺钉充分紧固，吐水本体向前，且不可旋转。



Use Conditions and Attention on Installation

Use Conditions

1. Pressure for cold water * hot water supplying
 - Minimum pressure 0.05MPa (flow pressure)
 - Maximum pressure 1.0MPa (static pressure)
 - Recommended pressure 0.1 ~ 0.5MPa (flow pressure)
 - Detection pressure 1.6MPa (static pressure)
2. The water supply temperature is between 4°C and 90°C. It is recommended to use hot water temperature of 60 °C. Do not use steam when supplying hot water.
3. Ambient temperature of the use above 0°C. If it is lower than 0°C, the spout will have some issues such as deformations, cracking, etc.
4. When it is not used for a long time, it may cause the inside and outside of the spout to rust and corrode, leading to malfunction.
5. If you need to dispose of this product, do not dispose of it as general household waste. Please follow the regulations to properly dispose, recover and recycle it through an independent recycling system.
6. The products stated in the Manual have a cleaning function.

Attention on Installation

- ⚠ Warning: Indicates that if you overlook this sign, causing misoperation, it may result in serious injury or death.
- ⚠ Attention: Indicates that if you overlook this sign, causing misoperation, it may cause personal injury or property damage.

⚠ Warning

1. As one side of the spout to supply hot water is in a high-temperature state, do not let the skin be directly in contact with the surface of the hardware fitting; otherwise it may cause burn injuries.
2. Do not assemble cold * hot water tubing incorrectly; otherwise it may cause burn injuries.
3. Do not use steam when supplying hot water; otherwise it may cause burn injuries.

⚠ Attention

1. Before installation, please ensure the integrity of the product package and the completeness of accessories and attachments, etc. first.
2. Do not hit this product; otherwise it may cause malfunction or water leakage.

Specification

Specification

Main Body of the Spout	1 set
Water-passing Body	1 set
Valve Spool Body	2 sets
Handle	2 sets
Non-asbestos Gasket	2 pieces
Installation Manual	1 booklet
User Manual	1 booklet

Products using this specification include:

- TBG07201* "GE" Bathtub Filler (3hole)
- TBG08201* "GC" Bathtub Filler (3hole)
- TBG09201* "GM" Bathtub Filler (3hole)
- TBG10201* "GB" Bathtub Filler (3hole)
- TBG11201* "GF" Bathtub Filler (3hole)

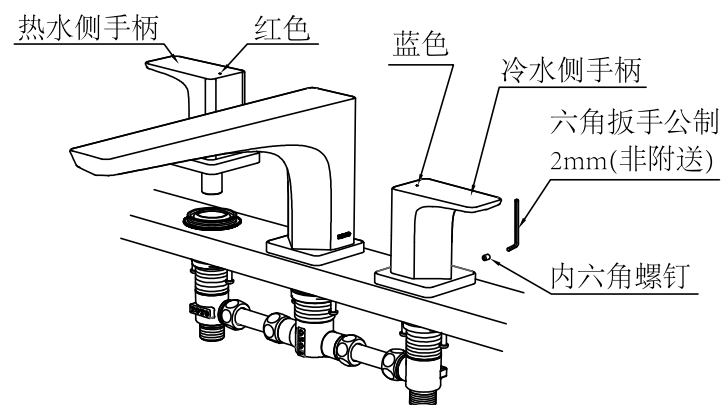
水嘴的安装

(4) 手柄部的安装

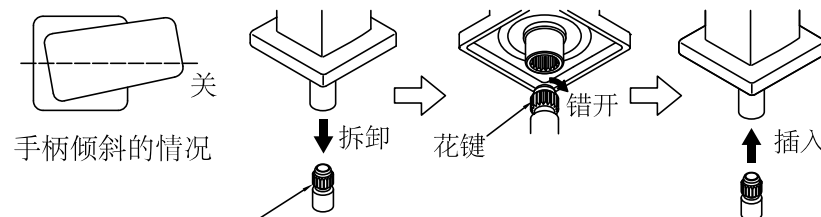
在阀芯处于关闭状态下，先将手柄部整体插入到阀体部内，对准阀体部内部的花键，手柄台座和台面完全吻合的状态，旋紧手柄台座内的内六角螺钉即可。

注意：

1. 安装时务必注意冷热方向，不可装反（手柄上红色为热侧，蓝色为冷水侧）。
2. 安装时务必注意开闭方向，不可装反（热水侧逆时针为开，顺时针为闭；冷水侧顺时针为开，逆时针为闭）。



3. 安装时、手柄倾斜时的调整（取下调整接手、错开花键调整角度，根据插入位置的不同可能需要多次调整。）



调整接手
调整接手用力
拉就会脱落

请将调整接手用力插入至内部，插入后请确认调整接手无法轻易脱落。

生产厂家与销售商

产品型号：见包装箱上的标签

产品名称：见包装箱上的标签

生产日期：见包装箱上的标签

组装工厂：东陶机器(广州)有限公司

厂 址：广州市番禺区南村镇兴南大道715号

东陶(中国)有限公司

全国售后服务电话：800-820-9787(固定电话)

400-820-9787(手机用户)



扫描二维码，
服务预约，方便快捷

销售商：东陶(中国)有限公司

地 址：北京市朝阳区光华路1号 北京嘉里中心北楼1915室

网 址：www.toto.com.cn

Table of Contents

Table of Contents

Table of Contents	1
Specification	2
Use Conditions and Attention on Installation	3-4
Attention and Maintenance for Installation	4
Installation completion diagram	5-9
Installation of Spout	10-12