

TOTO

施工说明书 Instructions for construction

安装产品前请仔细阅读本施工说明书，并保留备用。
Before product installation, read these instructions for construction carefully and retain it for future reference.

TOTO

**OG3501Y(A)
2020.09**

目录

目 录

目 录.....	1
明细单.....	2
使用上的条件与施工上的注意...	3
施工上的注意和保养	4
安装完成图.....	5-6
水嘴的安装.....	7
生产厂家与经销商.....	8

明细单

明细单

水嘴主体部.....	1套
花 洒 部.....	1套
装 饰 盖.....	1对
偏心接脚.....	1对
过 滤 网.....	2个
开闭工具.....	1个
施工说明书.....	1本
使用说明书.....	1本

使用此明细单的产品包括:

- DM207CF 铜合金立式双柄双控浴缸水嘴
(可转换·带手持花洒)
- DM207ACF 铜合金立式双柄双控浴缸水嘴
(可转换·带手持花洒)

使用条件与施工上的注意

使用条件

1. 供冷水*热水压力：
最低压力……………0.05MPa（流动压）
最高压力……………1.0MPa（静压）
2. 供水温度4℃~90℃，建议使用温度60±5℃，供热水请勿使用蒸汽。
3. 使用环境温度0℃以上。如果低于0℃，水嘴会出现变形、冻裂等现象。
4. 为防止花洒内部损坏，花洒侧吐水温度不得超过60℃，建议使用温度45℃以下。
5. 长时间不使用时，可能导致水嘴内部及外部锈蚀不能使用等现象。
6. 如果您需要废弃本产品，请勿将其作为一般生活垃圾处理，请依照法规经由独立的回收体系进行合适的处理、恢复和回收。
7. 本说明书中的产品具有清洗功能。

施工上的注意

- ⚠警告** 表示如果无视此标志而误操作时，有可能造成人员重伤或死亡。
⚠注意 表示如果无视此标志而误操作时，有可能造成人身伤害或财产损失。

⚠警告

1. 水嘴的供热水一侧处于高温状态，请注意勿使皮肤直接接触五金配件表面，否则可能会烫伤。
2. 请勿配反冷*热水配管，否则可能会烫伤。
3. 供热水请勿使用蒸汽，否则可能会烫伤。
4. 当直接从吐水口侧切换到淋浴器侧或从淋浴器侧切换到吐水口侧时，水温会发生变化，要用手测试水温度后再使用，否则可能会烫伤。
5. 如果客户不使用我司水嘴自带的进水口过滤网，可能会出现阀芯因异物进入而导致的漏水或破损的风险。

施工上的注意和保养

⚠注意

1. 由于陶瓷阀芯是较精密的部件，请勿擅自分解，否则可能会造成漏水等不良。
2. 请勿撞击本产品，否则可能会造成故障、漏水。
3. 必须使用中性洗涤剂清洗，中性以外的洗涤剂会破坏镀层或使表面变色。
4. 不得使用酸性洗涤剂和去污粉、抛光粉等含粗颗粒的洗涤剂和尼龙刷，否则可能会破坏镀层等。
5. 可使用软布擦拭，间或用机油或车用蜡浸布擦拭，但请勿接触树脂部件，否则可能失去光泽和产生锈蚀。
6. 建议不要长时间不使用，否则可能会导致水嘴内部以及外部锈蚀不能使用等现象。
7. 随着产品式样的不断更新，实物存在与图示不符的情况，但基本安装、使用原理相同。

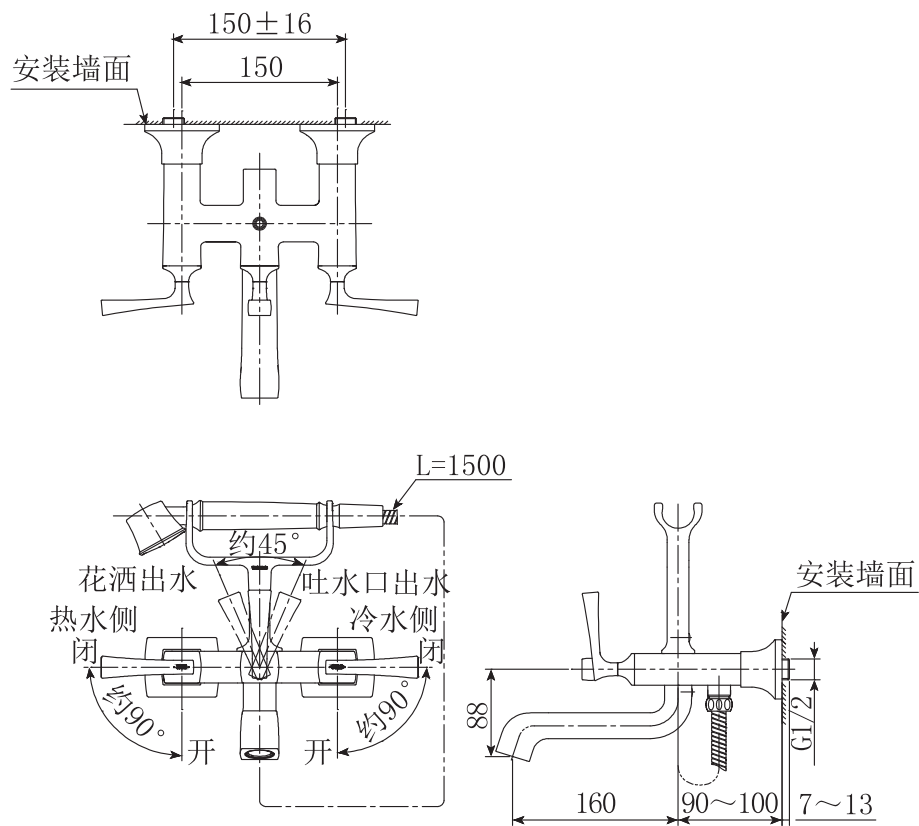
保养

为长期保持产品的美观，请用户按以下方法维护保养。

1. 经常用软布擦拭，间或用软布蘸水擦拭。
2. 当有污垢且比较明显时，请用中性洗涤剂擦拭后充分进行水洗。

安装完成图

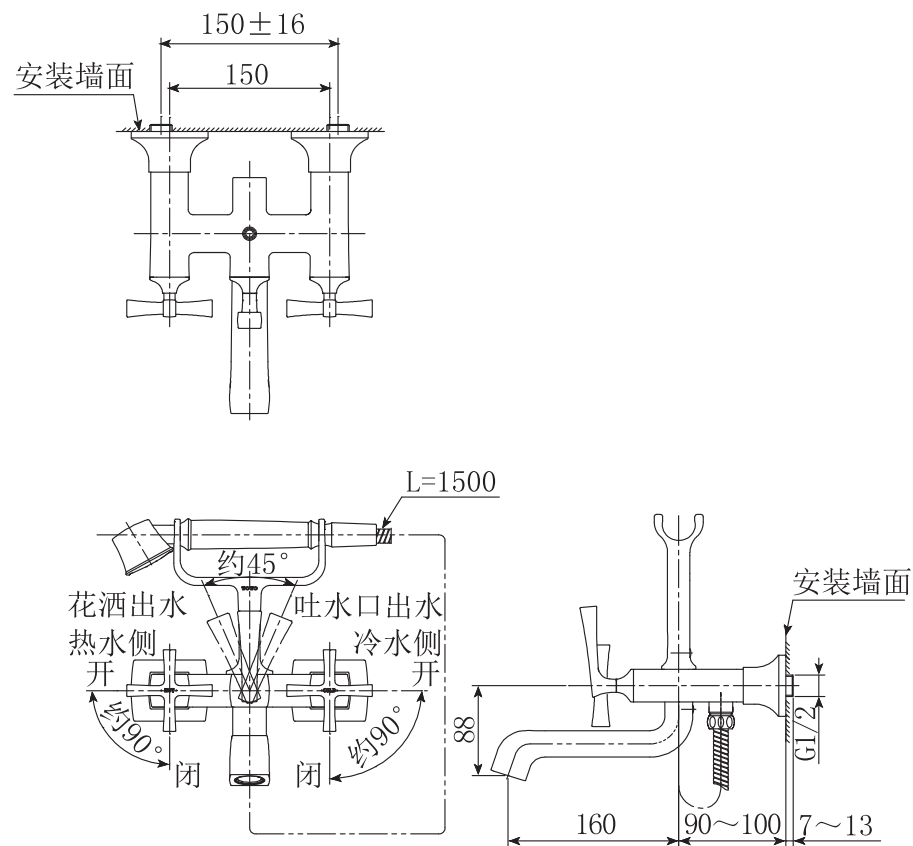
DM207CF 铜合金立式双柄双控浴缸水嘴
(可转换·带手持花洒)



注：上記尺寸单位为mm
() 内尺寸为参考尺寸

安装完成图

DM207ACF 铜合金立式双柄双控浴缸水嘴
(可转换·带手持花洒)



注：上記尺寸单位为mm
() 内尺寸为参考尺寸

水嘴的安装

以DM207CF为例

确认供水管已经关闭，仔细阅读安装说明书并按照说明书的安装要领来进行安装。
确认您所看到包装盒内的部件同图一相同。

1. 供水管内的清扫

水嘴安装前必须将供水管内的尘埃、砂等完全洗净、冲出。

2. 偏心接脚的安裝

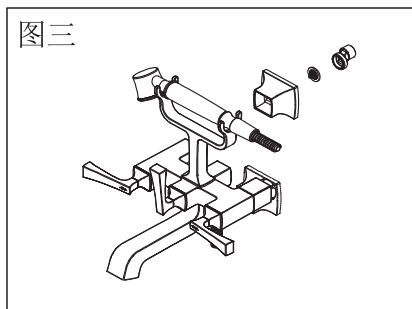
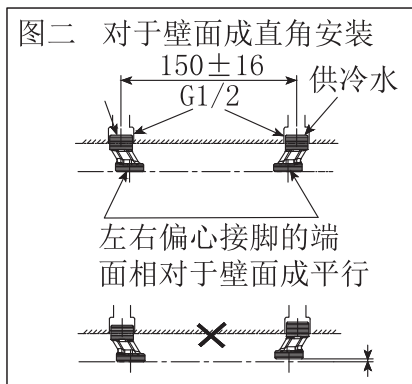
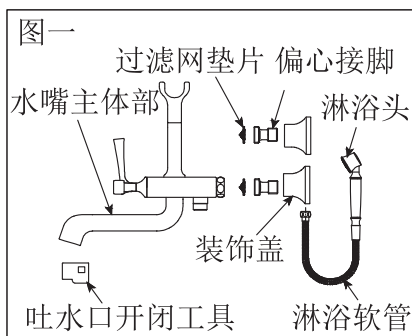
对于壁面成直角安装，如图二所示。

3. 水嘴主体部的安装

将装饰盖安装在主体上，滑动到最前端，露出六角螺母(主体部位需涂肥皂水，以便装饰盖容易在主体上滑动)，需将过滤网放在六角螺母内，然后将水嘴主体部安装在偏心接脚上，如图三所示。

4. 淋浴器软管的安装

请将淋浴器软管安装在主体上，螺纹用手旋紧，不漏水即可，如图三所示。



生产厂家与销售商

执行标准：GB 18145-2014、GB 28378-2019

产品型号：见包装箱上的标签

产品名称：见包装箱上的标签

生产日期：见包装箱上的标签

组装工厂：东陶（大连）有限公司

电 话：(0411) 87624383

厂 址：大连经济技术开发区东北二街17号

东陶(中国)有限公司

全国售后服务电话：800-820-9787(固定电话)

400-820-9787(手机用户)

销售商：东陶(中国)有限公司

地 址：北京市朝阳区光华路1号 北京嘉里中心北楼1915室

网 址：www.toto.com.cn

Contents

Contents

Contents.....	1
Detailed list.....	2
Service condition and attentions in construction	3
Attentions in construction and maintenance	4
Installation completion figure	5-6
Water nozzle installation	7
Manufacturer and vendor.....	8

Detailed list

Detailed list

Main body of water nozzle	1 set
Sprinkler part.....	1 set
Decorative cover	1 pair
Eccentric pin	1 pair
Filter net	2 pieces
Opening and closing tool	1 piece
Instructions for construction	1 copy
Instructions for operation	1 copy

The products using this detailed list include:



- DM207CF copper alloy vertical double-handle double-control bath tub water faucet (convertible·having a handheld shower)
- DM207ACF copper alloy vertical double-handle double-control bath tub water faucet (convertible·having a handheld shower)

Service condition and attentions in construction

Use condition

1. Cold water supply*hot water supply pressure
Minimum pressure 0.05MPa (flow pressure)
Maximum pressure 1.0MPa (static pressure)
2. The temperature for water supply is 4~90°C. It is suggested to use the hot water temperature of 60±5°C, Do not use steam to supply hot water.
3. The ambient temperature for use is above 0°C. If not, the water tap may deform and crack due to freezing.
4. To prevent internal sprinkler damage,the water outlet temperature on the sprinkler side shall not exceed 60°C.It is suggested to use a temperature below 45°C.
5. Being out of use for a long time may result in internal and external rust to the water nozzle and being unable to be used.
6. If you want to scrap this product, do not treat it as you do for general domestic garbage. Please follow relevant statutes to have it treated, recovered and collected appropriately by an independent recovery system.
7. The product in these instructions has a cleaning function.

Attentions in construction

-  **Warning:**it means that ignoring this mark and misoperation may cause serious personal injury and death.
-  **Attention:** it means that ignoring this mark and misoperation may cause personal injury or property loss.

Warning

- 1.The hot water supply side of the water nozzle is in a condition of high temperature. Do not allow skin to contact with the hardware surface directly. Otherwise,scalding may occur.
- 2.Do not reverse cold*hot water pipes. Otherwise, scalding may occur.
- 3.Do not use steam to supply hot water. Otherwise, scalding may occur.
- 4.When shifting directly from the water outlet to the shower side or shifting from shower side to water outle,the water temperature will change so test water temperature to avoid scalding before using.
- 5.If a customer fails to use the self-contained water inlet filter net of our water faucet,there is such a risk as water leakage or damage due to foreign matters entering into the spool.

Attentions in construction and maintenance

Attentions

- 1.As the ceramic spool is precise component,do not dismantle it without authorization.Otherwise,such poor conditions as water leakage,etc may be caused.
2. Do not impact the product. Otherwise, failure, water leakage may occur.
3. It is imperative to use a neutral detergent in cleaning. Other detergents than a neutral one may damage the plating coat or make the surface discolor.
4. Do not use any such detergent as acidic detergent and abstergent, polishing powder, etc.containing thick particles and nylon brush. Otherwise, the plating coat may be damaged,etc.
5. It is allowed to use a piece of soft cloth to wipe or use from time to time a piece of cloth immersed in machine oil or vehicle wax to wipe. However, do not contact with resin components. Otherwise, they may lose the gloss and become rusty.
6. It is suggested not to leave it unused for a long time. Otherwise, this may lead to internal and external rust to water nozzle to such a degree that it cannot be used any more, etc.
7. With the product design being updated constantly, the physical object may not coincide with the figure. However, the basic principle for installation, use is the same.

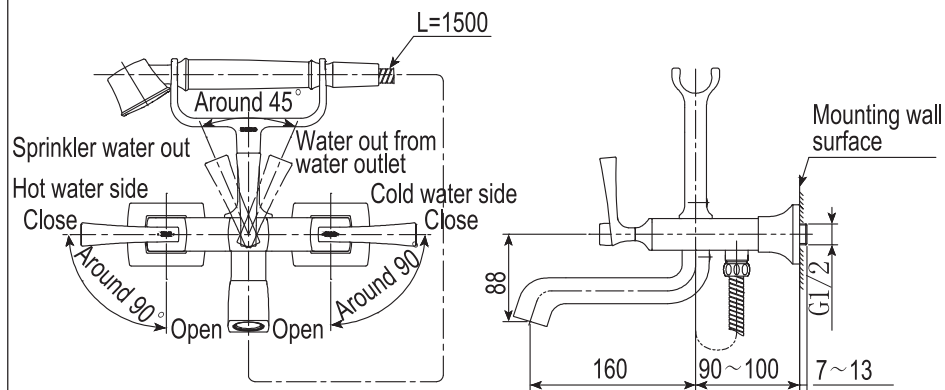
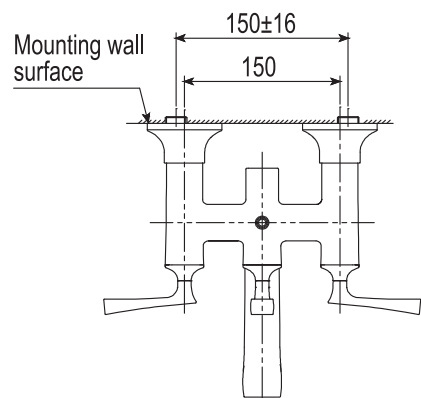
Maintenance

To maintain a beautiful appearance of the product, the user is requested to conduct maintenance and care in the following method.

1. Wipe with a piece of soft cloth frequently and use a piece of soft cloth dipped in water to wipe from time to time.
2. When dirt exists obviously, please use water to wash sufficiently after wiping with a neutral detergent.

Installation completion figure

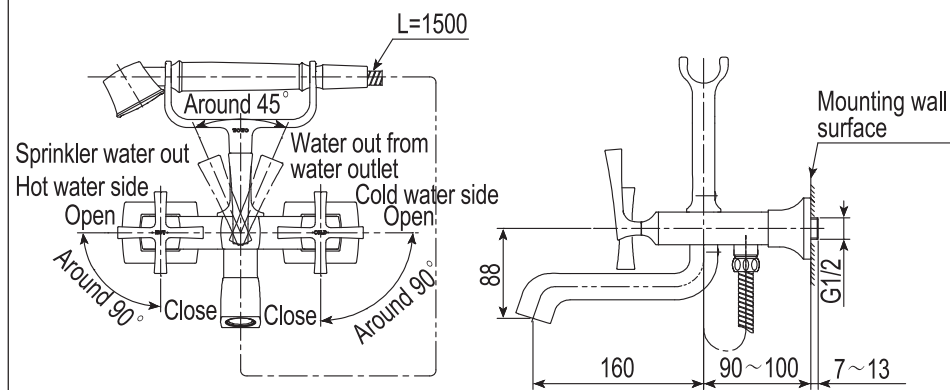
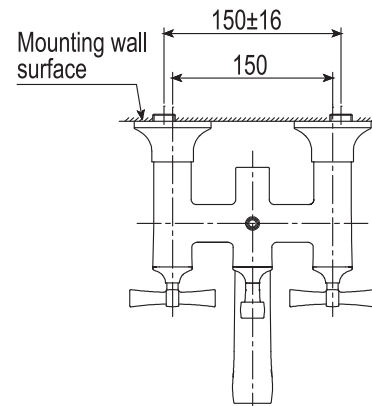
DM207CF copper alloy vertical double-handle double-control bath tub water faucet (convertible·having a handheld shower)



Note: The above dimensional unit is mm.
The dimensions in () are reference ones.

Installation completion figure

DM207ACF copper alloy vertical double-handle double-control bath tub water faucet (convertible·having a handheld shower)



Note: The above dimensional unit is mm.
The dimensions in () are reference ones.

Water Nozzle Installation

Taking DM207CF as an example

Confirm that the water supply pipe has been closed. Read carefully the instructions for installation and carry out installation according to the main points in the instructions.

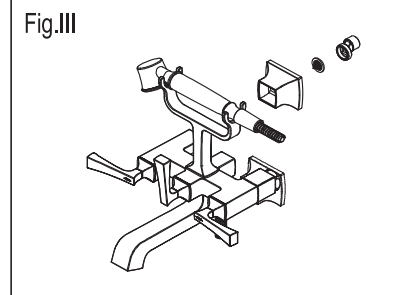
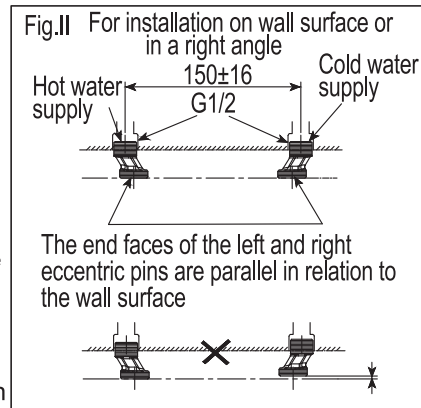
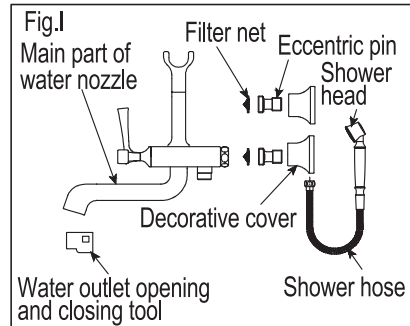
Confirm the components in the packing box you see is the same as Figure I.

1. Internal cleaning to water supply pipe
Before installation, it is imperative to clear by cleaning, wash out the dust, sand, etc. in the water supply pipe completely.

2. Eccentric pin installation
The installation on the wall surface in a right angle is as shown in Figure II.

3. Main water nozzle body part installation
Install the decorative cover onto the main body. Slide it to the most front end to expose the hex nut (it is necessary to apply soap water on the main body part so that the decorative cover is easy to slide on the main body.) It is necessary to place the filter net in the hex nut. Then install the main water nozzle body part onto the eccentric pin as shown in Figure III.

4. Shower hose installation
Please install the shower hose onto the main body and screw tight the screw thread with hand. Being free from water leakage is just enough, as shown in Fig. III.



Manufacturer and vendor

Applicable standard: GB 18145-2014, GB 28378-2019

Product Model No.: See the label on the packaging case

Product name: See the label on the packaging case

Production date: See the label on the packaging case

Assembly factory: TOTO(Dalian)Co.,Ltd.

Telephone: (0411)87624383

Factory address: 17 Dong Bei Second Street, Economic & Technical Development zone, Dalian

TOTO(China)Co.,Ltd.

After-sale service toll free telephone all over the country:

800-820-9787 (fixed telephone)

400-820-9787 (for mobile phone users)

Vendor: TOTO(China)Co.,Ltd.

Address: Room 1915, North Building of Beijing Jiali Center, No. 1, Guanghua Road, Chaoyang District, Beijing

Website: www.toto.com.cn