

使用说明书

User Manual

使用产品前请仔细阅读本使用说明书，并保留备用。
Before using the product, please read the User Manual carefully and keep it for future reference.

TOTO 检查合格证

产品型号：见包装箱上的标签

产品名称：见包装箱上的标签

生产日期：见包装箱上的标签

检印	合格
----	----

组装工厂：东陶机器（广州）有限公司

厂 址：广州市番禺区南村镇兴南大道715号

东陶(中国)有限公司

全国售后服务电话：800-820-9787(固定电话)
400-820-9787(手机用户)



扫描二维码，
服务预约，方便快捷

销售商：东陶(中国)有限公司

地 址：北京市朝阳区光华路1号 北京嘉里中心北楼1915室

网 址：www.toto.com.cn

TOTO

0G273G(C)
2023.07

目录

目 录

目录·····	1
明细单·····	2
使用条件与使用上的注意·····	3
保养·····	4
产品示意图·····	5
拆卸与检查·····	6
保证书·····	7

明细单

明细单

固定杆组品.....	1套
墙座+墙座芯+装饰盖.....	2套
塞盖.....	2套
零件包.....	1套
型纸.....	1张
施工说明书.....	1本
使用说明书.....	1本

使用此明细单的产品包括:

TBW01015*	滑动式淋浴支架	(900mm圆型)
TBW01016*	滑动式淋浴支架	(600mm圆型)
TBW02011*	滑动式淋浴支架	(900mm方型)
TBW02012*	滑动式淋浴支架	(600mm方型)

TOTO Asia Oceania Pte. Ltd.

Telephone:65-6744-6955

FAX: 65-6841-0819

Address: 10 Eunos Road 8 #12-07 Singapore Post Centre
Singapore 408600

Website: asia.toto.com

TOTO KOREA LTD.

전화번호 : (02)-3141-8236

FAX 번호 : (02)-3141-8240

주소 : 서울시 마포구 상수동 351-16번지 로이코빌딩 3층

홈페이지 : <https://kr.toto.com/>

Guarantee

User	
Sales shop or installation shop	
Date of buying	
Warranty period	From the date of buying, the effective warranty period is 1 years for shower package

*If the contents in the above column are not complete, the guarantee shall be deemed as invalid. Therefore, user should confirm the contents put in at the time of buying.
*The items covered in this guarantee are only limited to repair to those free repair items as agreed in the guarantee.
* During the warranty period, if any failure occurs to the product (water leakage, seepage), please call after sale service to request repairs.

Repair Regulations


1. During the warranty period, if the user uses the products of the company correctly according to relevant instructions, adhesive labels, the company will provide free repair to any faulty product.
2. When any free repair is required due to damage within the warranty period, please call after sale service to request repairs.
3. Within the warranty period, the repair in the following occasions is paid repair.
 - ① Any failure and damage due to any improper use or any improper repair and modification conducted privately.
 - ② Any failure and damage resulting from any carelessness or fault in installation construction.
 - ③ Any failure and damage attributed to such reasons as removal for relocation after installation, etc.
 - ④ Any failure and damage due to using this product in occasions beyond the specified scope of use (for example, home commodity is used for any business purpose).
 - ⑤ Any damage caused by sand grains or dirt, etc.
 - ⑥ Such adverse results as dirtiness, plating part rusting, etc. attributed to improper daily maintenance and care.
 - ⑦ Any failure and damage due to fire, earthquake, flood, lightning strike and other natural disasters, public nuisances, gas damage (liquefied gas), salt damage and abnormal voltage, use of any power supply (voltage, frequency) other than the specified ones, etc.
 - ⑧ The occasions not specified in this warranty.
 - ⑨ The occasion in which the user name, sales shop, installation shop or buying date is not filled in.
 - ⑩ No buying invoice can be presented.
4. The warranty is valid within the territory of the People's Republic of China, excluding Hongkong, Macao and Taiwan.
5. This product warranty card shall not be reissued when being lost. Customers are requested to keep it properly.

使用条件与使用上的注意

使用条件

1. 使用环境温度0°C以上。
2. 如果您需要废弃本产品，请勿将其作为一般生活垃圾处理，请依照法规经由独立的回收体系进行合适的处理、恢复和回收。
3. 本说明书的产品具有放置花洒及调节淋浴高度的功能。

使用上的注意

 **警告** 表示如果无视此标志而误操作时,有可能造成人员重伤或死亡。

 **注意** 表示如果无视此标志而误操作时,有可能造成人身伤害或财产损失。

警告

1. 幼儿禁止使用或幼儿需要由成年人监护使用、老人和残障人士等特殊群体应在有行动能力人员陪同下使用。
2. 切勿悬吊或靠在产品各部位，否则因安装不稳定导致产品掉落而可能会造成人员受伤。

注意

1. 请勿撞击本产品，否则可能会造成故障。
2. 调节滑动座时一定要先拧松旋钮，以免损坏固定杆。
3. 经常用软布擦拭或用机油或车用蜡浸布擦拭，但粘着于树脂部件时，部件将失去光泽或产生锈蚀，请充分注意勿使粘着。
4. 不得使用去污粉、抛光粉等含粗颗粒的洗涤剂或尼龙刷帚。
5. 由于酸性洗涤剂能侵蚀镀层，故不得使用，如果用酸性洗涤剂洗过瓷砖，要立即对瓷砖及产品进行水洗。
6. 随着产品式样的不断更新，实物可能与图示不符，但基本原理相同。

保养

保养

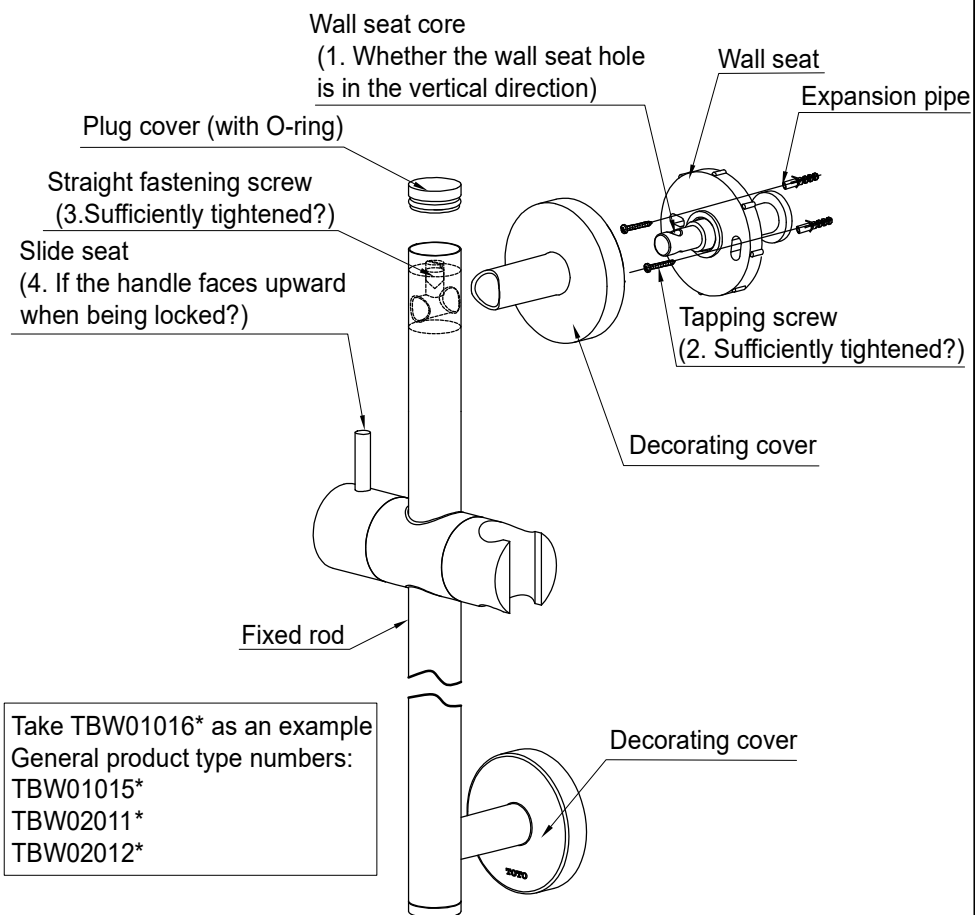
为长期保持产品的美观，请用户按以下方法维护保养。

1. 经常用软布擦拭或用软布蘸水擦拭。
2. 当有污垢且较明显时，请用中性洗涤剂擦拭后充分进行水洗。
3. 不得使用洁厕粉、去污粉、机油、辛那水、强酸、强碱性洗涤剂或含颗粒物质的洗涤剂、尼龙刷子来清洁本产品。

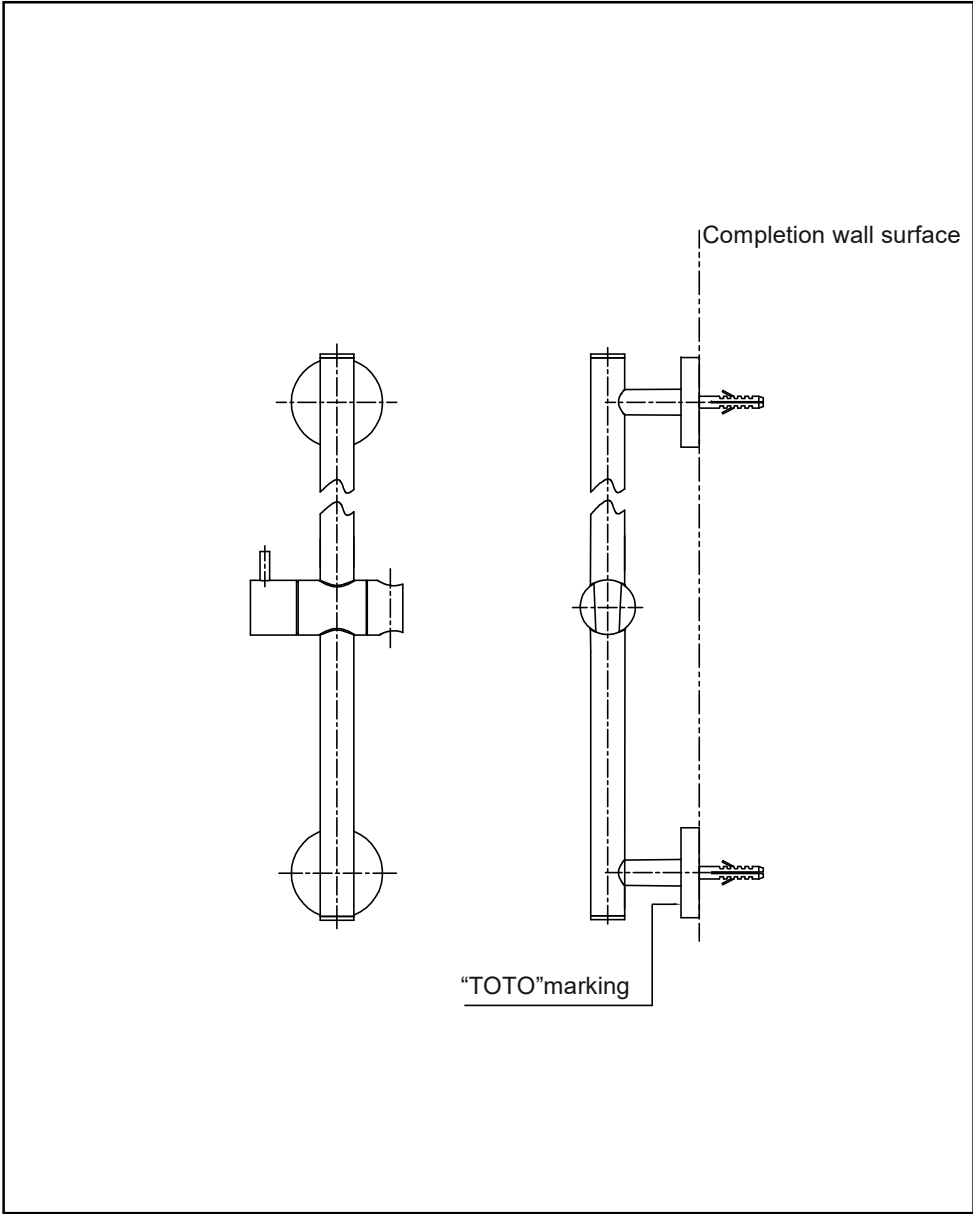
Dismantle and Inspection

Symptom	Inspecting item
Getting loose	1、2、3
The handheld shower cannot be installed	4

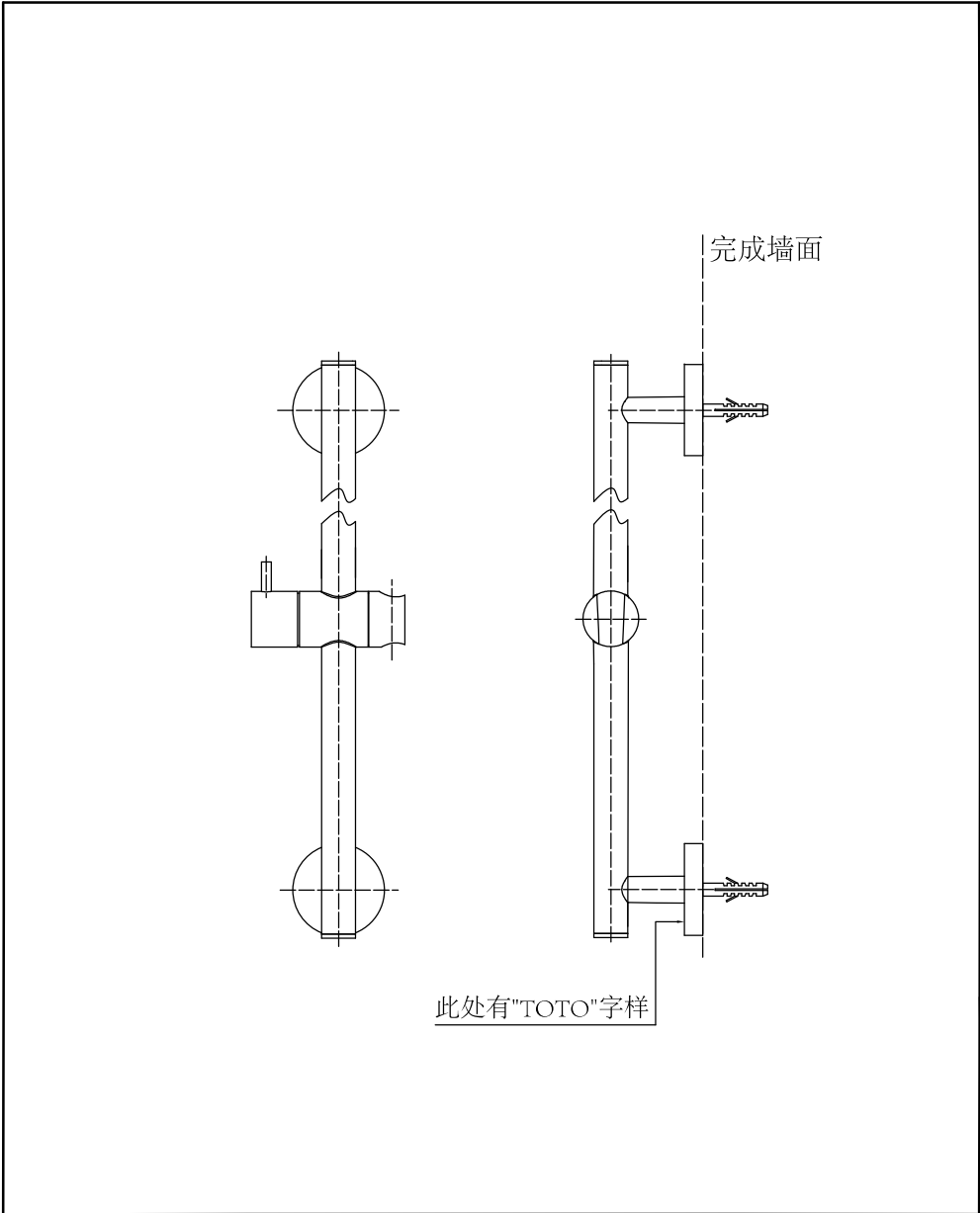
In case of any failure after installation, please remove according to the following main points.



Product schematic diagram



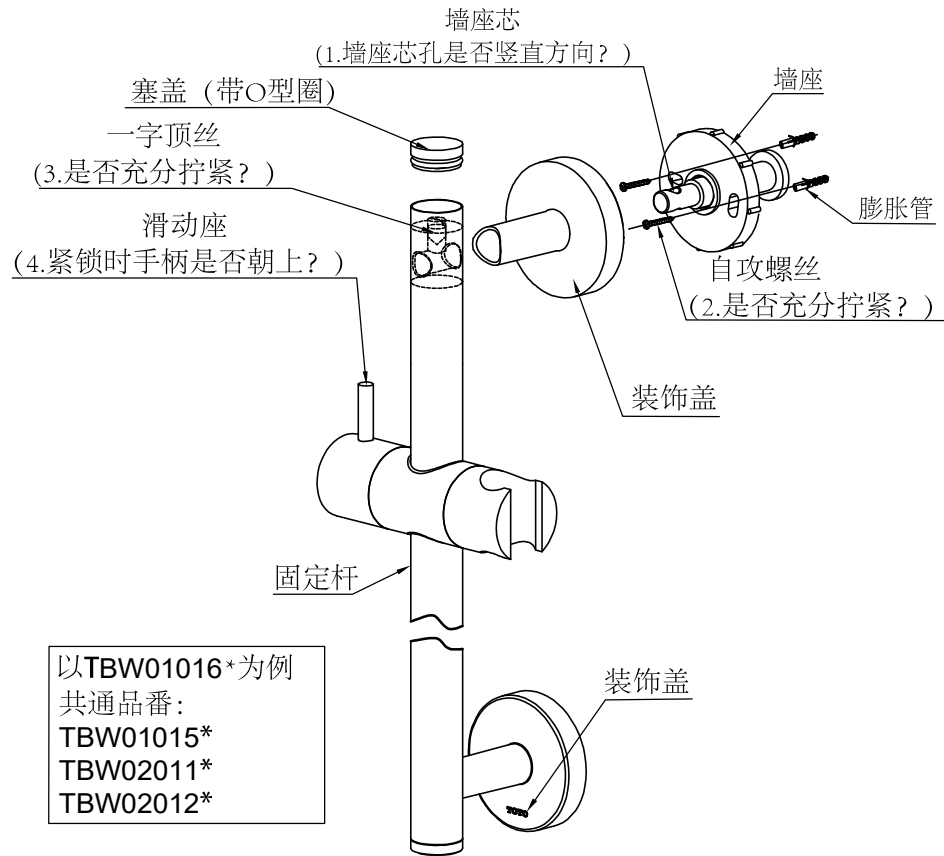
产品示意图



拆卸与检查

现象	检查项目
松动	1、2、3
手持花洒无法安装	4

安装后万一出现故障，请按一下要领拆卸



Maintenance

Maintenance

To maintain a beautiful appearance of the product, the user is requested to conduct maintenance and care in the following method.

1. Wipe with a piece of soft cloth frequently and use a piece of soft cloth dipped in water to wipe from time to time.
2. When dirt exists obviously, please use water to wash sufficiently after wiping with a neutral detergent.
3. Do not use toilet cleaning powder, abstergent, machine oil, xina water, strong acidic and alkaline detergent or such detergent as containing particle matters, nylon brush to clean this product.

Use condition and attentions in use

Use condition

- 1.The ambient temperature for use is above 0°C.
- 2.If you want to scrap this product, do not treat it as you do for general household garbage. Please follow relevant statutes to have it treated, recovered and collected appropriately by an independent recovery system.
- 3.The product in the present instructions has such a function as placing shower and adjusting the bath height.

Attentions in using

- ⚠ Warning: it means that ignoring this mark and misoperation may cause serious personal injury and death.
- ⚠ Attention: it means that ignoring this mark and misoperation may cause personal injury or property loss.

⚠ Warning

- 1.Children are not allowed to use or can use only under the custody of adult. Such special groups as the aged and disabled should be accompanied by those with behavioral competence when using it.
2. Never hang on or lean against any location of the product. Otherwise, the product may fall and cause injury to people due to unstable installation.

⚠ Attentions

- 1.Do not impact the product. Otherwise, failure, water leakage may occur.
- 2.In adjusting the slide seat, be sure to loosen the knob to avoid damage to the fixed rod.
- 3.Use a piece of soft cloth to wipe frequently or use from time to time a piece of cloth immersed in machine oil or vehicle wax to wipe. However, do not contact with resin components. Otherwise, they may lose the gloss and become rusty. Please pay attention to this point sufficiently.
- 4.It is not allowed to use such detergents as abstergent, polishing powder, etc. containing thick particles and nylon scrubber.
- 5.As acidic detergents can corrode the plating coat, the use of it is not allowed. If any acidic detergent has been used to wash ceramic tiles, wash immediately the ceramic tiles and water nozzle with water sufficiently.
- 6.With the product design being updated constantly, the physical object may not

保证书

用 户	
销售安装店	
购买日	
保 修 期	自购买日起淋浴组件保修期为1年

- *若上栏内容未记全，该保证书将视为无效。因此请用户购买时对记入内容进行确认。
- *本保证书中的保修项目仅限于保证书中所约束的免费维修项目进行维修。
- *在保修期间，若产品发生故障（漏水、渗漏），请拨打全国售后服务电话报修。

维修规定

- 1.保修期间，在用户正确按说明书、不干贴等指示，使用本公司产品的情况下，本公司将对有故障产品进行免费维修。
- 2.在保修期内发生损坏需要得到免费维修时，请拨打全国售后服务电话报修。
- 3.在保修期内，下面所列场合的维修为有偿维修。
 - ① 使用不当或私自进行的不当修理及改造所造成的故障及损伤。
 - ② 安装施工时的不注意或过失造成的故障及损伤。
 - ③ 安装后又拆移等原因造成的故障及损伤。
 - ④ 超出使用范围以外的场合下使用本产品所造成的故障及损伤（如家庭用商品作为业务上商品使用）。
 - ⑤ 沙粒或污物等造成的损伤。
 - ⑥ 由于日常的维护保养不当造成的肮脏、电镀部分生锈等不良。
 - ⑦ 由于火灾、地震、水灾、雷击及其他天灾、公害、气害（液化气）、盐害及异常电压、使用指定外的电源（电压、频率）等原因造成的故障及损伤。
 - ⑧ 本保证书没有指定的场合。
 - ⑨ 本保证书中用户姓名、销售店、安装店、购买日期未填写的场合。
 - ⑩ 不能出示购买发票的场合。
- 4.本保证书只在中国境内有效。（香港、澳门、台湾地区除外）
- 5.本保证书丢失不补，请顾客妥善保管。

Contents

Contents	
Contents.....	1
Detailed list.....	2
Use condition and attentions in use.....	3
Maintenance.....	4
Product schematic diagram.....	5
Dismantle and inspection.....	6
Guarantee.....	7

Detailed list

Detailed list	
Fixed rod assembly.....	1 set
Wall seat + wall seat core + decorating cover.....	2 sets
Plug cover.....	2 sets
Part package.....	1 set
Type paper.....	1 sheet
Instructions for construction.....	1 copy
Instructions for operation.....	1 copy
 The products using this detailed list include: TBW01015* "L Shower" Sliding Rail 900 (Standard Type) TBW01016* "L Shower" Sliding Rail 600 (Standard Type) TBW02011* "L Shower" Sliding Rail 900 (Contemporary Type) TBW02012* "L Shower" Sliding Rail 600 (Contemporary Type)	