

施工说明书 Installation Manual

安装产品前请仔细阅读本施工说明书，并保留备用。
Before installing the product, please read the Installation Manual carefully and keep it for future reference.

TOTO

TOTO

OG501YIA1
2020.09

目录

目 录

目 录	1
明细单	2-3
使用条件与施工上的注意	4
施工上的注意与保养	5
安装完成图	6-8
水嘴的安装	9-18
生产厂家与销售商	19

明细单

明细单

埋墙本体部	1套
吐水本体部	1套
手柄部	1套
固定接手	1套
装饰盖（大孔）	1个
装饰盖（小孔）	1个
（TLG08307*、TLG08308*场合无此部件）	
螺钉	2个
吐水口治具	1个
防水布	2个
施工说明书	1本
使用说明书	1本

明细单

使用此明细单的产品包括：



- TLG07307* 铜合金壁式单柄双控暗装洗面器水嘴
- TLG07308* 铜合金壁式单柄双控暗装洗面器水嘴
- TLG08307* 铜合金壁式单柄双控暗装洗面器水嘴
- TLG08308* 铜合金壁式单柄双控暗装洗面器水嘴
- TLG09307* 铜合金壁式单柄双控暗装洗面器水嘴
- TLG09308* 铜合金壁式单柄双控暗装洗面器水嘴
- TLG10307* 铜合金壁式单柄双控暗装洗面器水嘴
- TLG10308* 铜合金壁式单柄双控暗装洗面器水嘴
- TLG11307* 铜合金壁式单柄双控暗装洗面器水嘴
- TLG11308* 铜合金壁式单柄双控暗装洗面器水嘴

使用条件与施工上的注意

使用条件

1. 供冷水*热水压力：
最低压强……………0.05MPa（流动压）
最高压强……………1MPa（静压）
推荐使用压强……………0.1-0.5MPa（流动压）
检测压强……………1.6MPa（静压）
2. 供水温度在4℃~90℃，建议使用温度60℃，供热水请勿使用蒸汽。
3. 使用环境温度0℃以上。如果低于0℃，水嘴会出现变形、冻裂等现象。
4. 长时间不使用时，可能导致水嘴内部及外部锈蚀不能使用等现象。
5. 如果您需要废弃本产品，请勿将其作为一般生活垃圾处理，请依照法规经由独立的回收体系进行合适的处理、恢复和回收。
6. 本说明书中的产品具有清洗功能。

施工上的注意

-  **警告** 表示如果无视此标志而误操作时，有造成人员重伤或死亡。
-  **注意** 表示如果无视此标志而误操作时，有造成人身伤害或财产损失。

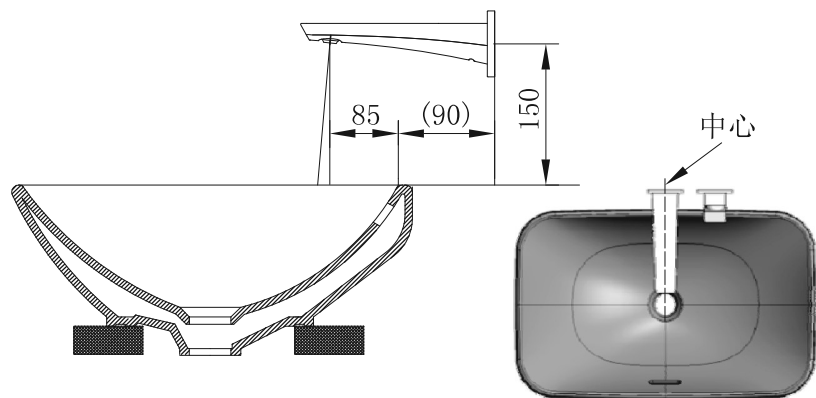
警告

1. 水嘴的供热水一侧处于高温状态，请勿使皮肤直接接触五金配件表面，否则可能会烫伤。
2. 请勿配反冷*热水配管，否则可能会烫伤。
3. 供热水请勿使用蒸汽，否则可能会烫伤。

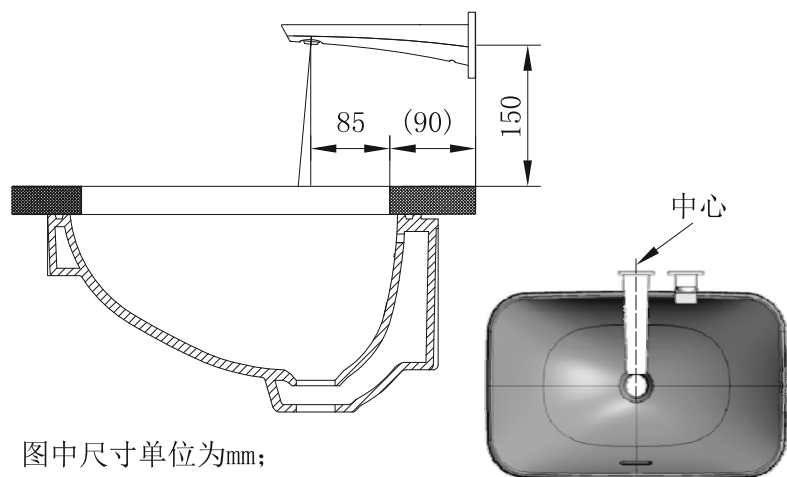
安装完成图

短款产品安装完成图

安装在台上面盆



安装在台下面盆

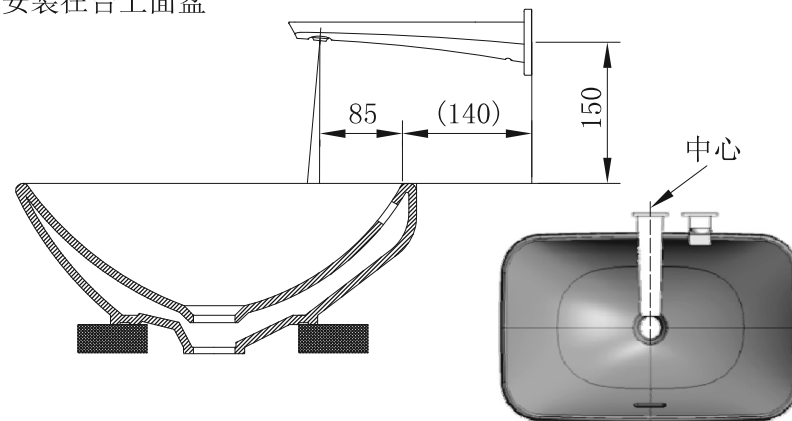


注：图中尺寸单位为mm；
()内尺寸为参考尺寸。

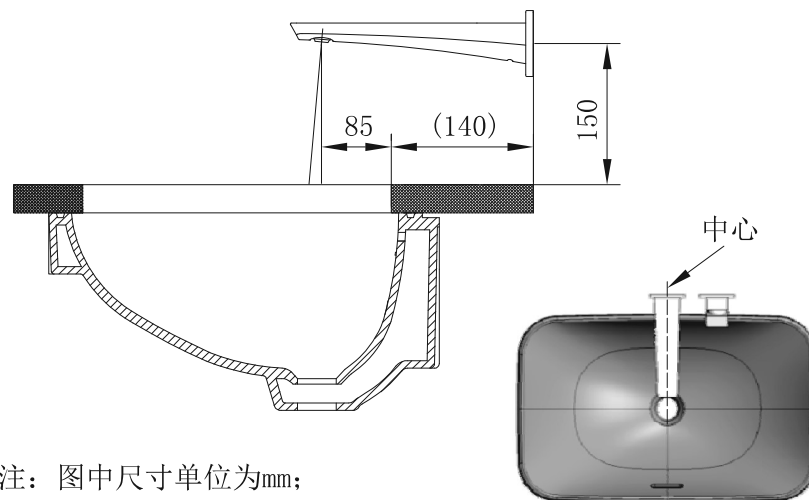
安装完成图

长款产品安装完成图

安装在台上面盆



安装在台下面盆

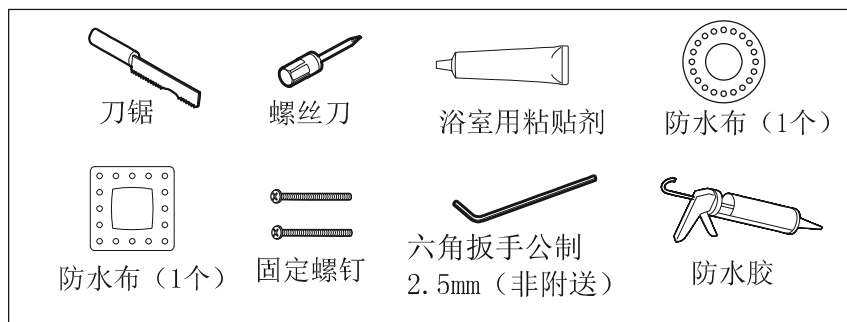


注：图中尺寸单位为mm；
()内尺寸为参考尺寸。

水嘴的安装

适用于：TLG07307*、TLG07308*、TLG08307*、TLG08308*

安装前准备的工具



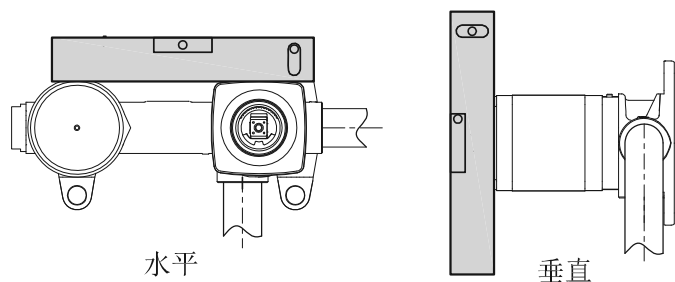
安装前确认

- 确认供水管已经关闭，确认安装前水路进行清洗了。
- 仔细阅读施工说明书并按照说明书的安装要领来进行安装。

一、水嘴主体的安装

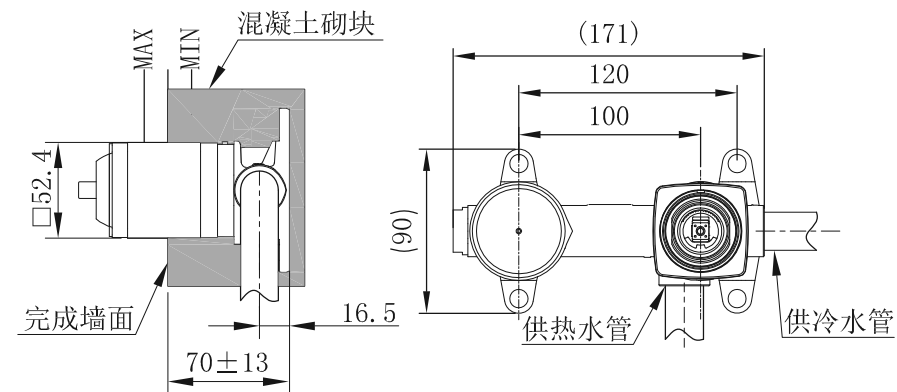
1. 事先把水嘴主体和相应的管子连接好，然后参照图示尺寸在墙面开槽，否则水嘴安装时可能会出现问題。

※必要：安装时使用水平仪对埋墙本体进行校正，使水平、垂直在最佳状态。



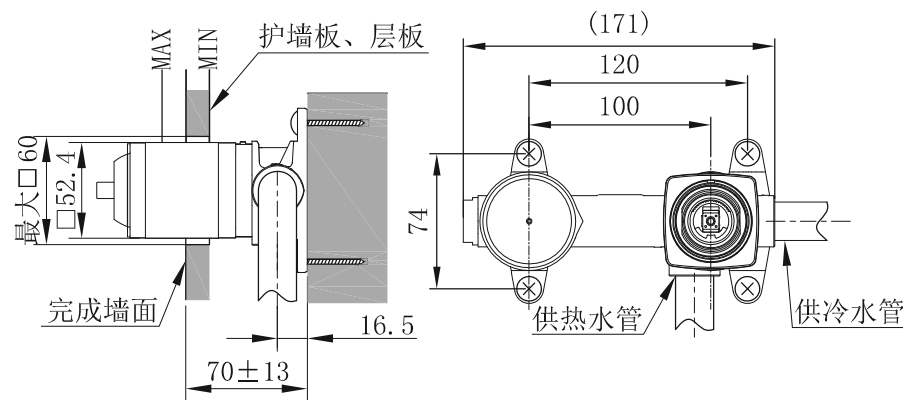
水嘴的安装

安装到混凝土砌块



如图所示，用水泥等填料将产品安装在墙内。

安装到一体化浴室等，护墙板和层板上：

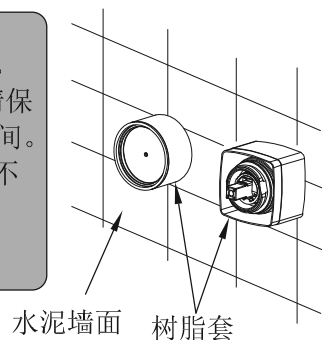


如图所示，用螺钉将产品固定到墙面上。
※请根据需要另外准备合适的螺钉(4-φ10螺钉)

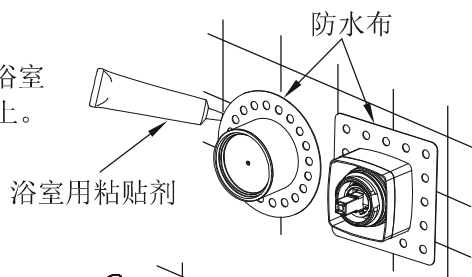
水嘴的安装

注意

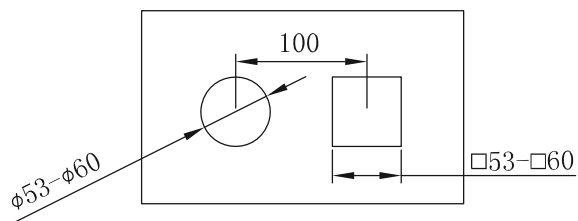
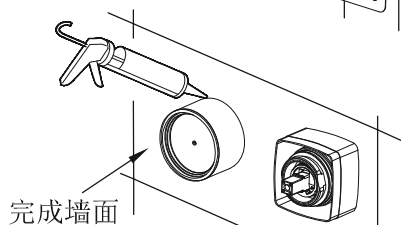
- 安装埋墙本体时，请不要将树脂套取下。
- 安装时，请注意埋墙本体的埋入深度，请保证完成墙面在保护套上MIN—MAX标志之间。
- 进水管与埋墙本体连接并确认各连接处不漏水再加水泥填料。



2. 将防水布穿过树脂套，使用浴室用粘贴剂将其粘在水泥墙面上。



3. 粘贴剂完全干燥之后，再将瓷砖安装完毕（瓷砖开孔尺寸见下图）。在树脂套与瓷砖的缝隙中均匀涂上防水胶，且胶面不能凸出墙面。



瓷砖开孔尺寸（单位：mm）

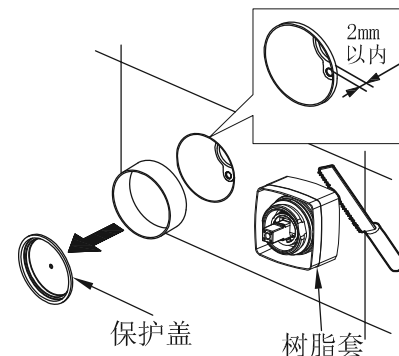
水嘴的安装

二、吐水口部及手柄部的安装

1. 使用刀锯将树脂保护套切除，需要保证树脂套凸起边缘与墙面在2mm以内。（边缘也不能凹陷于墙面以内）

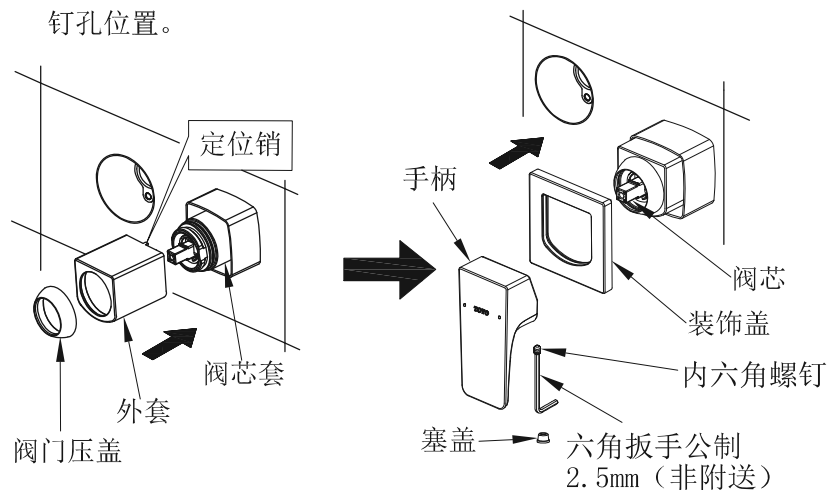
注意

- 在切割时注意不要割伤内套，以免划伤内部阀芯套。



2. 手柄部的安装：

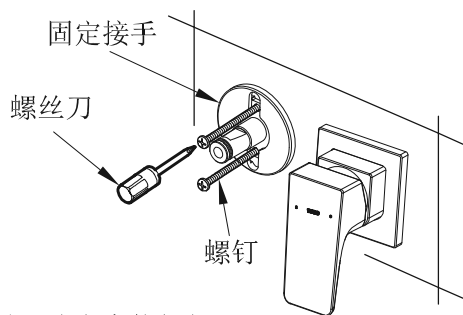
- 将外套安装在阀芯套上，定位销充分插入埋墙本体内，使外套与阀芯套充分贴合，再将阀门压盖充分拧紧在阀芯套上，并将外套调整至水平状态。（注：为方便安装可将阀芯套上的O型圈涂少量的肥皂水进行润滑）
- 将装饰盖套在外套上，贴近墙面即可。（注：为方便安装可将装饰盖内的O型圈涂少量的肥皂水进行润滑）
- 手柄安装到阀芯上，并用内六角螺钉将其固定，塞盖安装在螺钉孔位置。



水嘴的安装

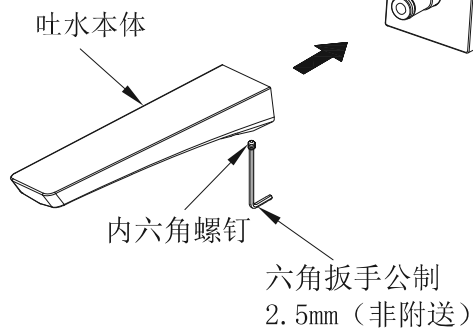
3. 吐水口部的安装:

- a. 将固定接手插入埋墙本体扣到墙面上，并用2个螺钉将其紧固。



- b. 将装饰盖穿过固定接手，吐水本体部与固定接手连接，使其与装饰盖完全贴紧，调整好装饰盖与吐水本体位置后，将吐水本体用内六角螺钉紧固。

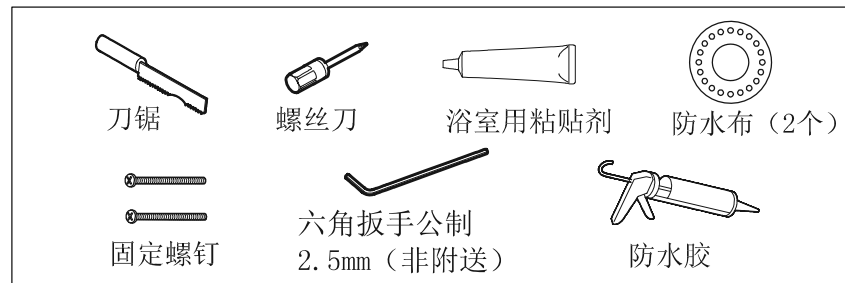
TLG08307*、TLG08308*
场合无此部件



水嘴的安装

适用于：TLG09307*、TLG09308*、TLG10307*、TLG10308*、
TLG11307*、TLG11308*

安装前准备的工具



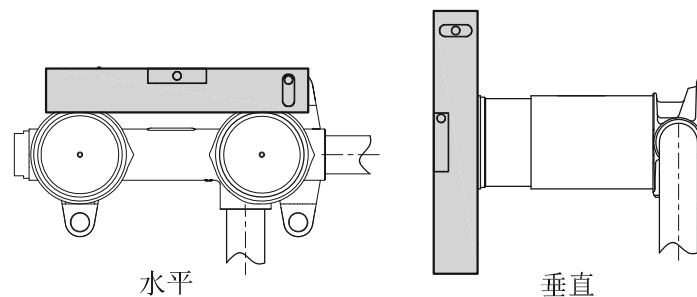
安装前确认

- 确认供水管已经关闭，确认安装前水路进行清洗了。
- 仔细阅读施工说明书并按照说明书的安装要领来进行安装。

一、水嘴主体的安装

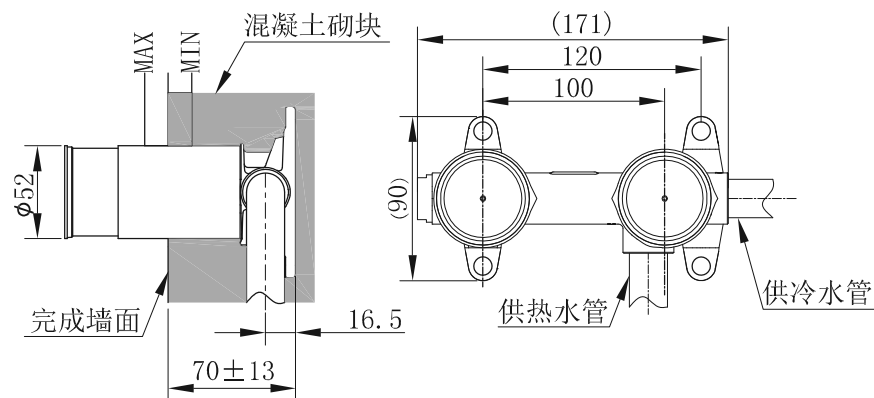
1. 事先把水嘴主体和相应的管子连接好，然后参照图示尺寸在墙面开槽，否则水嘴安装时可能会出现问題。

※必要：安装时使用水平仪对埋墙本体进行校正，使水平、垂直在最佳状态。



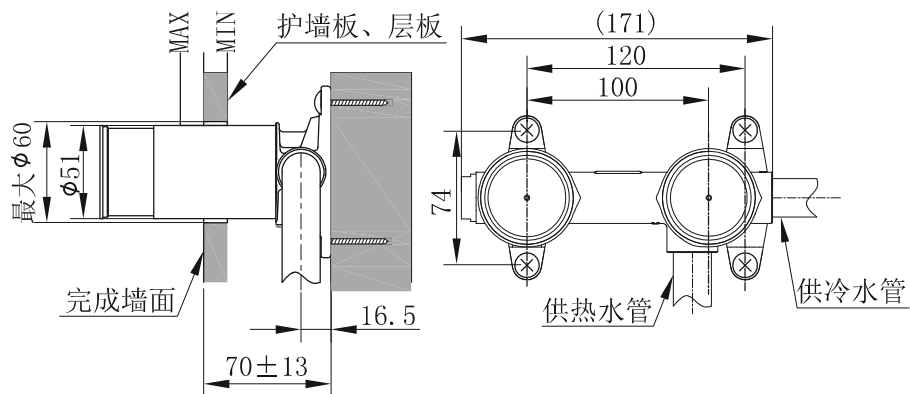
水嘴的安装

安装到混凝土砌块



如图所示，用水泥等填料将产品安装在墙内。

安装到一体化浴室等，护墙板和层板上：

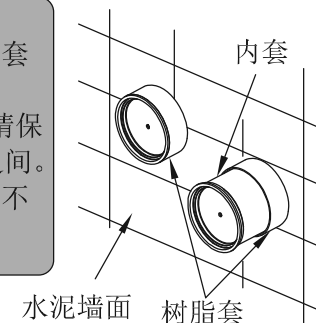


如图所示，用螺钉将产品固定到墙面上。
※请根据需要另外准备合适的螺钉(4- $\phi 10$ 螺钉)

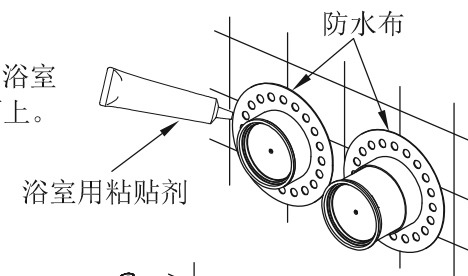
水嘴的安装

注意

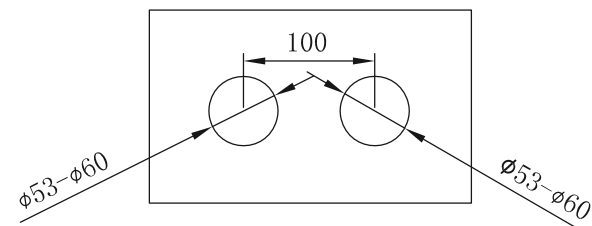
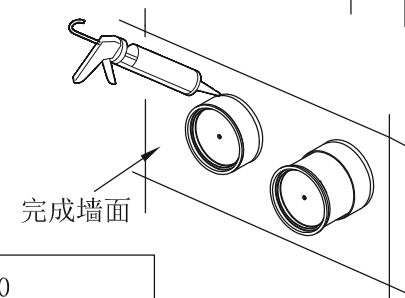
- 安装埋墙本体时，请不要将树脂套、内套取下。
- 安装时，请注意埋墙本体的埋入深度，请保证完成墙面在保护套上MIN—MAX标志之间。
- 进水管与埋墙本体连接并确认各连接处不漏水再加水泥填料。



2. 将防水布穿过树脂套，使用浴室用粘贴剂将其粘在水泥墙面上。



3. 粘贴剂完全干燥之后，再将瓷砖安装完毕（瓷砖开孔尺寸见下图）。在树脂套与瓷砖的缝隙中均匀涂上防水胶，且胶面不能凸出墙面。



瓷砖开孔尺寸（单位：mm）

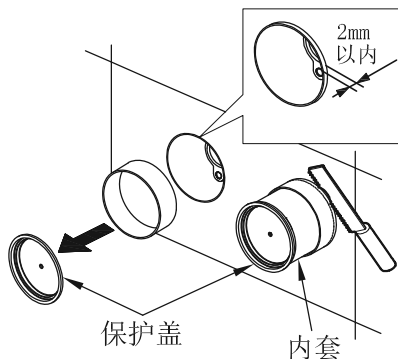
水嘴的安装

二、吐水口部及手柄部的安装

1. 使用刀锯将树脂保护套切除，需要保证树脂套凸起边缘与墙面在2mm以内。（边缘也不能凹陷于墙面以内）

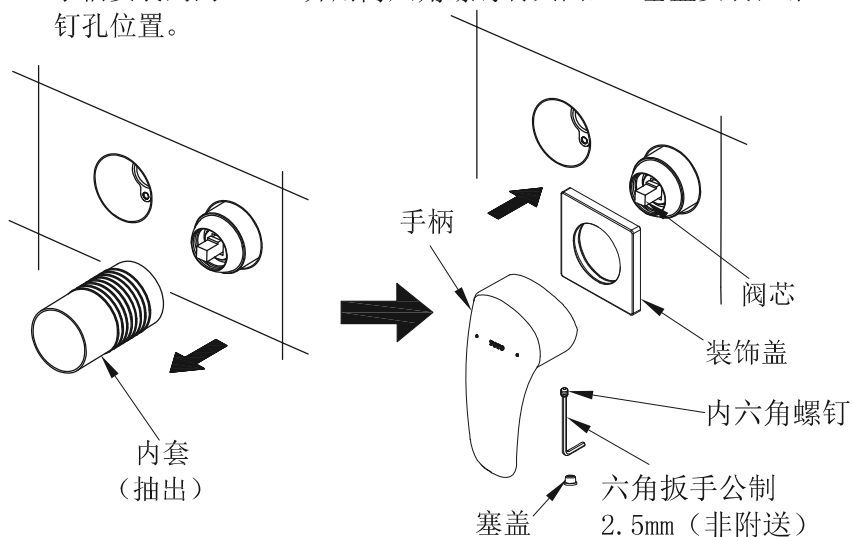
注意

- 在切割时注意不要割伤内套，以免划伤内部阀芯套。



2. 手柄部的安装:

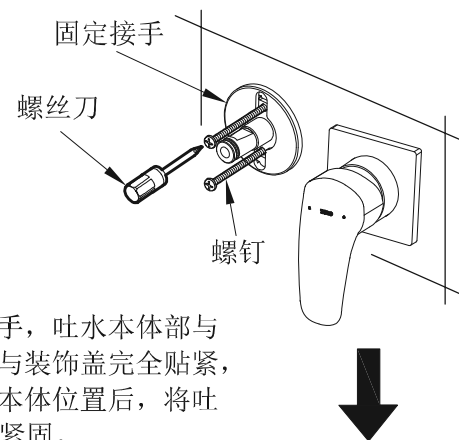
- a. 抽出内套(注: 安装完后内套将不再起作用)。
- b. 将装饰盖套在阀芯套上, 贴近墙面即可。(注: 为方便安装可将装饰盖内的O型圈涂少量的肥皂水进行润滑)
- c. 手柄安装到阀芯上, 并用内六角螺钉将其固定, 塞盖安装在螺钉孔位置。



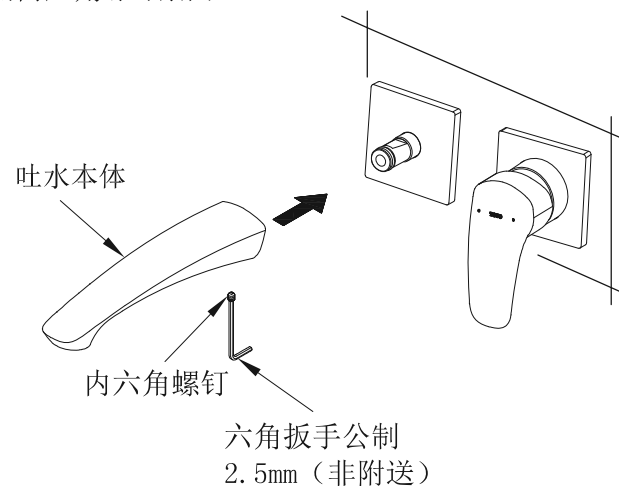
水嘴的安装

3. 吐水口部的安装:

- a. 将固定接手插入埋墙本体扣到墙面上, 并用2个螺钉将其紧固。



- b. 将装饰盖穿过固定接手, 吐水本体部与固定接手连接, 使其与装饰盖完全贴紧, 调整好装饰盖与吐水本体位置后, 将吐水本体用内六角螺钉紧固。



生产厂家与销售商

执行标准：GB18145-2014、GB25501-2019

产品型号：见包装箱上的标签

产品名称：见包装箱上的标签

生产日期：见包装箱上的标签

组装工厂：东陶（大连）有限公司

电 话：（0411）87624383

厂 址：大连经济技术开发区东北二街17号

东陶（中国）有限公司

全国售后服务电话：800-820-9787（固定电话）

400-820-9787（手机用户）

销售商：东陶（中国）有限公司

地 址：北京市朝阳区光华路1号 北京嘉里中心北楼1915室

网 址：www.toto.com.cn

Table of Contents

Table of Contents

Table of Contents	1
Specification.....	2-3
Use Conditions and Attention on Installation	4
Attention and Maintenance for Installation.....	5
Installation completion diagram	6-8
Installation of spout	9-18

Specification

Specification

Main body part.....	1 set
Spout body part	1 set
Handle part	1 set
Fixed connector	1 set
Decorative cover (large hole).....	1 piece
Decorative cover (small hole)	1 piece
(This part is not available to TLG08307* and TLG08308*)	
Screw	2 pieces
Spout fixture	1 piece
Tarpaulin.....	2 pieces
Installation Manual	1 booklet
User Manual	1 booklet

Specification

Products using this specification include:



- TLG07307* "GE"Wall Mounted Single Lavatory Faucet(Short)
- TLG07308* "GE"Wall Mounted Single Lavatory Faucet(Long)
- TLG08307* "GC"Wall Mounted Single Lavatory Faucet(Short)
- TLG08308* "GC"Wall Mounted Single Lavatory Faucet(Long)
- TLG09307* "GM"Wall Mounted Single Lavatory Faucet(Short)
- TLG09308* "GM"Wall Mounted Single Lavatory Faucet(Long)
- TLG10307* "GB"Wall Mounted Single Lavatory Faucet(Short)
- TLG10308* "GB"Wall Mounted Single Lavatory Faucet(Long)
- TLG11307* "GF"Wall Mounted Single Lavatory Faucet(Short)
- TLG11308* "GF"Wall Mounted Single Lavatory Faucet(Long)

Use Conditions and Attentions on Installation

Use Conditions

1. Pressure for cold water * hot water supplying
Minimum pressure.....0.05 MPa (flow pressure)
Maximum pressure.....1.0 MPa (static pressure)
Recommended pressure.....0.1~0.5 MPa (flow pressure)
Detection pressure.....1.6 MPa (static pressure)
2. The water supply temperature is between 4°C and 90°C. It is recommended to use hot water temperature of 60°C. Do not use steam when supplying hot water.
3. Ambient temperature of the use above 0°C. If it is lower than 0°C, the spout will have some issues such as deformations, cracking, etc.
4. When it is not used for a long time, it may cause the inside and outside of the spout to rust and corrode, leading to malfunction.
5. If you need to dispose of this product, do not dispose of it as general household waste. Please follow the regulations to properly dispose, recover and recycle it through an independent recycling system.
6. The products stated in the Manual have a cleaning function.

Attention in Installation

-  **Warning** Indicates that if you overlook this sign, causing misoperation, it may result in serious injury or death.
-  **Attention** Indicates that if you overlook this sign, causing misoperation, it may cause personal injury or property damage.

Warning

1. As one side of the spout to supply hot water is in a high-temperature state, do not let the skin be directly in contact with the surface of the hardware fitting; otherwise it may cause burn injuries.
2. Do not assemble cold * hot water tubing incorrectly; otherwise it may cause burn injuries.
3. Do not use steam when supplying hot water; otherwise it may cause burn injuries.

Attention and Maintenance for Installation

Attention

1. Since the ceramic valve spool is a relatively precise component, do not disassemble it without authorization; otherwise it may cause water leakage and other defects.
2. Do not hit this product; otherwise it may cause malfunction or water leakage.
3. As the product model is constantly updated, the actual product may not look the same as it is shown in the diagram, but the basic installation and operation principles are the same.
4. Due to water supply inspection before this product leaves the factory, there may be residual water in the faucet, and this is not a product problem.

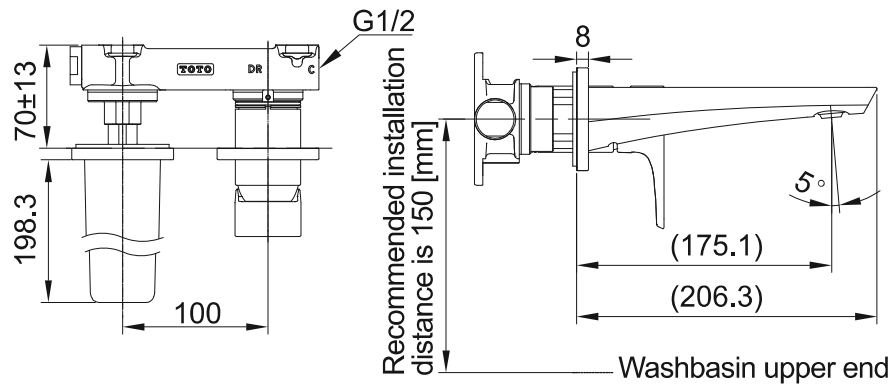
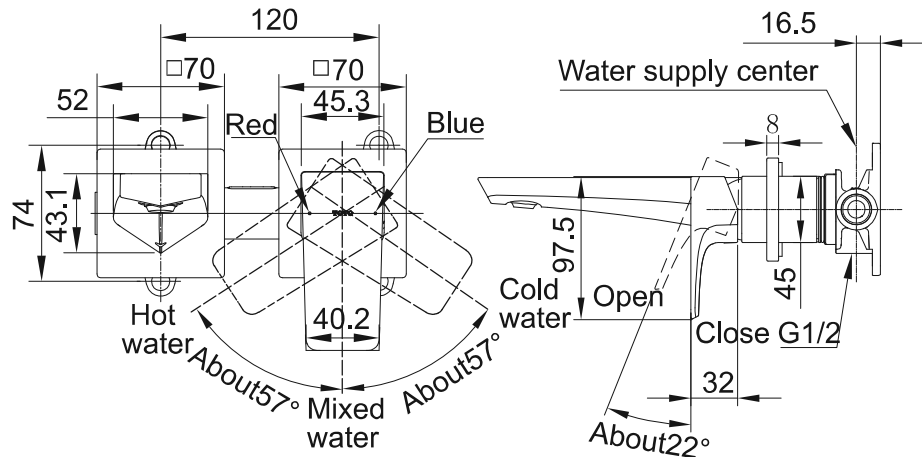
Maintenance

In order to maintain the decent appearance of the product for a long time, please maintain it according to the following methods.

1. Wipe with a soft cloth often, or wipe with a soft cloth with water occasionally.
2. When there is dirt and it is obvious, please wash it with water thoroughly after wiping it with neutral detergent.

Installation completion diagram

TLG07307* "GE" Wall Mounted Single Lavatory Faucet(Short)

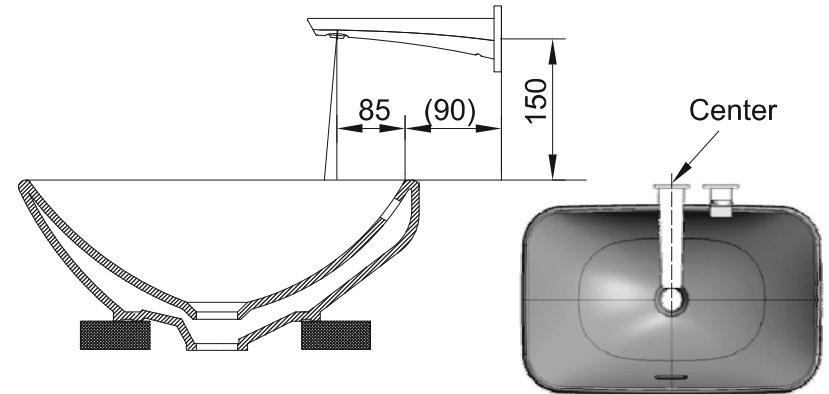


Note: The unit of size in the figure is mm;
The dimension in () is reference ones.

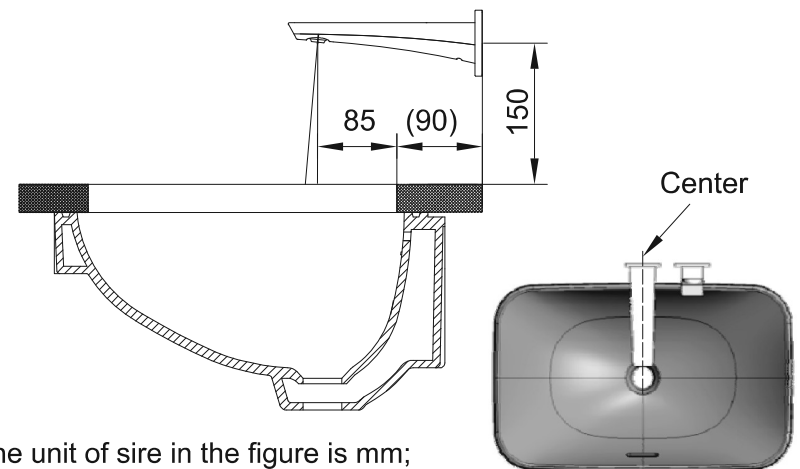
Installation completion diagram

Installation completion diagram for short version product

Installed at the counter top washbasin

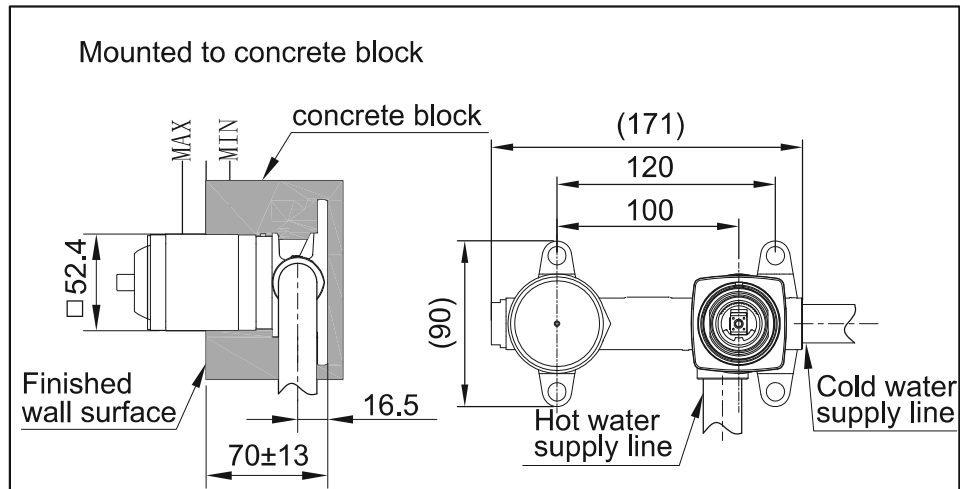


Installed at the undercounter washbasin



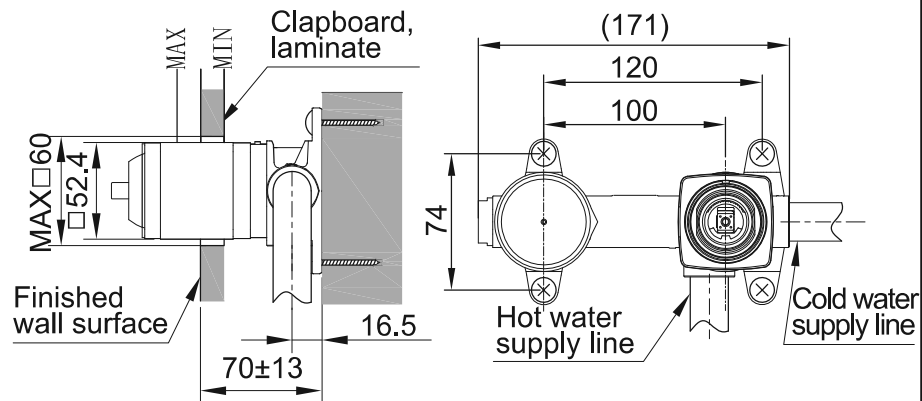
Note: The unit of size in the figure is mm;
The dimension in () is reference ones.

Installation of spout



As shown in the figure, the product is installed in the wall with fillers such as cement.

Installed into an integrated bathroom, clapboard and laminate etc:

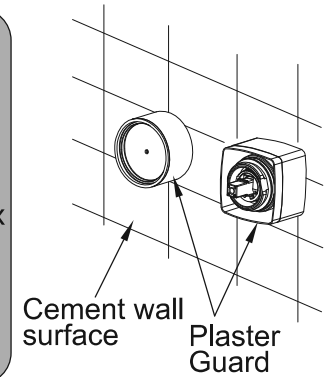


Secure the product to the wall with screws as shown in the figure.
 ※ Please prepare suitable screws (4 ϕ 10 screws) as needed.

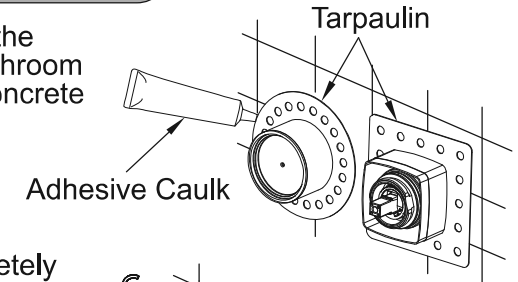
Installation of spout

Attention

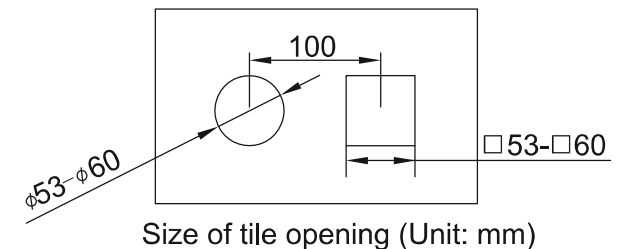
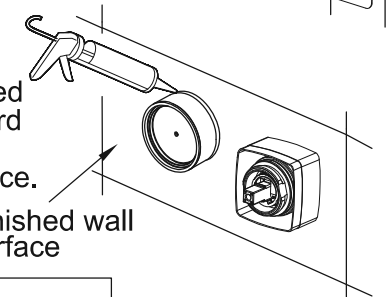
- Please do not remove the plaster guards when installing the main body.
- During the installing, please pay attention to the embedding depth of the main body; please ensure that the finished wall surface is located between the min-max marks on the plaster guard.
- After the water inlet pipe is connected with the main body and the joints are confirmed to be watertight, add cement filler.



2. Pass the tarpaulin through the plaster guard and use a bathroom adhesive to stick it to the concrete wall.



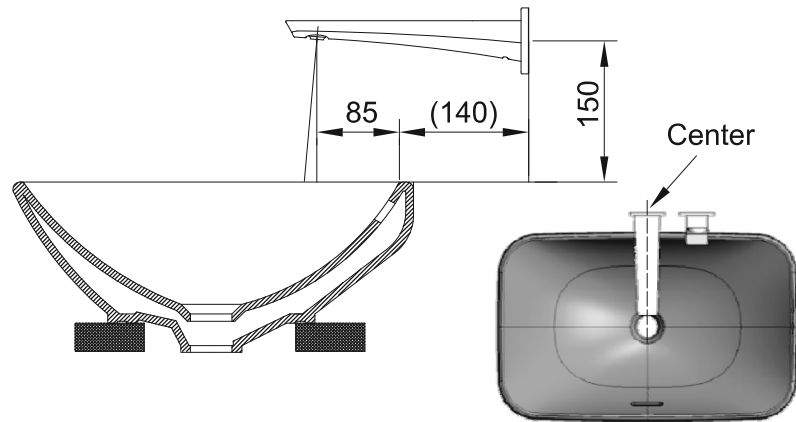
3. After the adhesive is completely dried, the tile is installed. (The tile opening size is shown in the figure below) silicon caulk is evenly applied in the gap between the plaster guard and the tile, and the rubber surface cannot protrude from the wall surface.



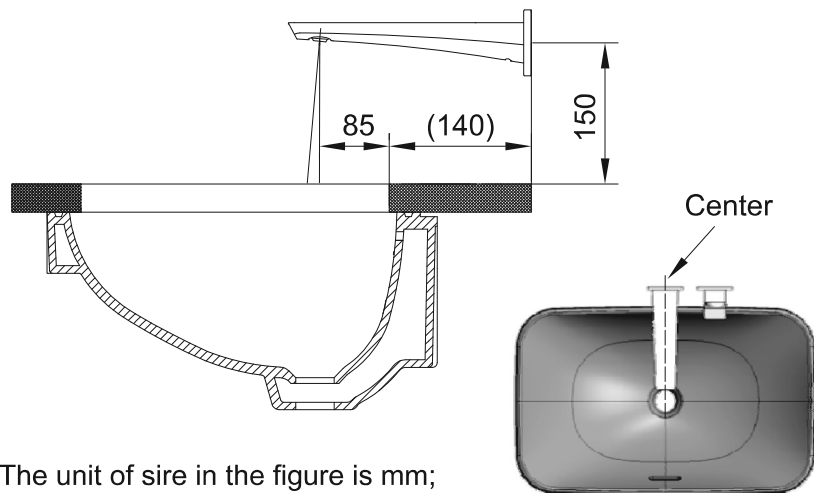
Installation completion diagram

Installation completion diagram for long version product

Installed at the coanter top washbasin



Installed at the undercounter washbasin

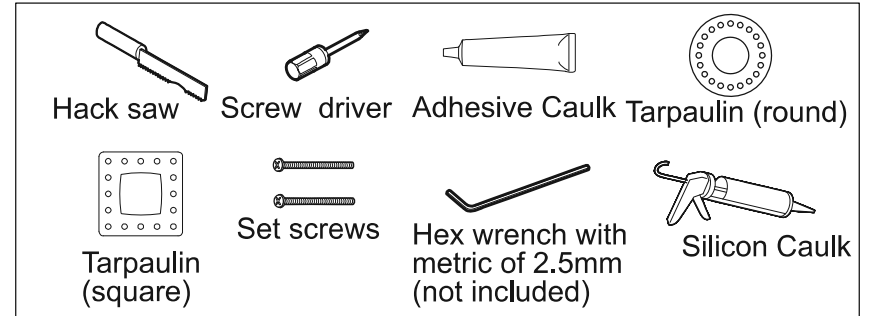


Note: The unit of sire in the figure is mm;
The dimension in () is reference ones.

Installation of spout

Applicable to TLG07307*、TLG07308*、TLG08307*、TLG08308*、

Tools prepared before installation



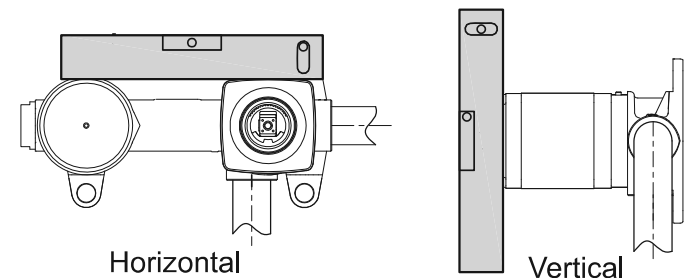
Confirmation before installation

- Confirm that the water supply pipes have been turned off and the water route has been washed before installation.
- Please read the Installation Manual carefully and install the product following the main points for installation in the manual.

I. Installation of the main body

1. Please connect the main body with the corresponding pipe in advance, and then make grooves on the wall according to the size shown in the figure, otherwise there may be problems when installing the faucet.

- ※ Important note: Please use the level meter to correct the main body when installing, so that the horizontal and vertical are in the best state.



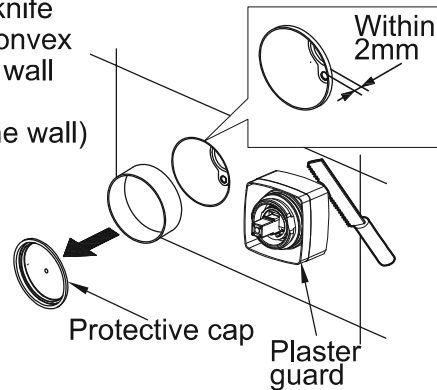
Installation of spout

II. Installation of spout and handle

1. Cut off the "plaster guard" with a knife saw. Please make sure that the convex edge of the plaster guard and the wall surface are within 2 mm.
(The edge can't be sunken inside the wall)

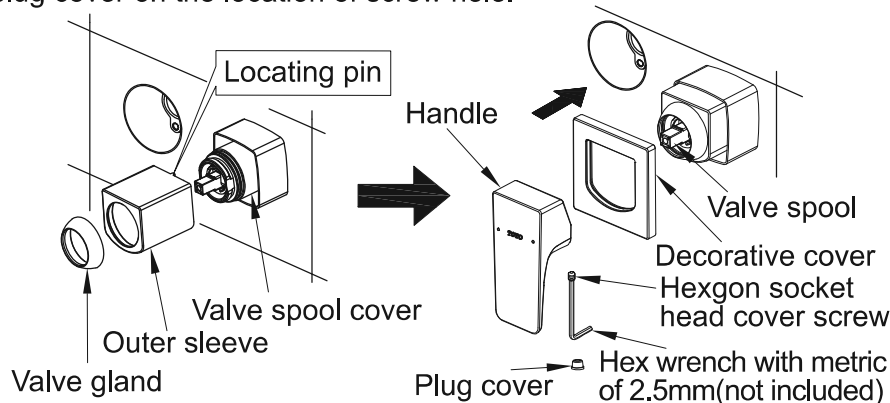
Attention

- Be sure not to cut the inner plaster guard when cutting, so as not to scratch the inner valve spool cover.



2. Installation of the handle part:

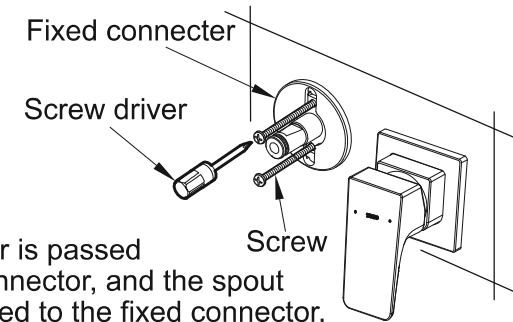
- Install the outer sleeve on the valve spool cover. Insert the locating pin into the main body. Fit the outer sleeve and the valve spool cover thoroughly, and then fully tighten the valve gland on the valve spool cover, and adjust the outer sleeve to the horizontal state. (Note: For ease of installation, the O-ring on the valve spool cover can be lubricated with a small amount of soapy water.)
- Put the decorative cover on the outer sleeve and keep it close to the wall. (Note: For ease of installation, the O-ring on the decorative cover can be lubricated with a small amount of soapy water.)
- Install the handle on the valve spool, fix it with screws and install the plug cover on the location of screw hole.



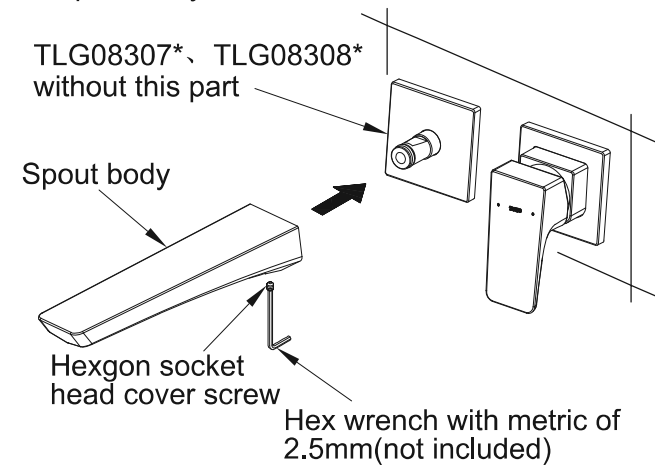
Installation of spout

3. Installation of the spout:

- Insert the fixed connector into the main body and fasten it to the wall and fasten it with 2 screws."



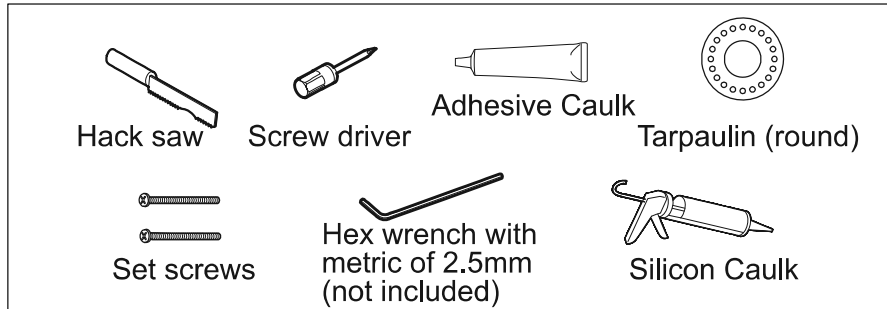
- The decorative cover is passed through the fixed connector, and the spout body part is connected to the fixed connector, so as to be completely in close contact with the decorative cover. After adjusting the position of the decorative cover and the spout body, tighten the spout body with screws.



Installation of spout

Applicable to TLG09307*、TLG09308*、TLG10307*、TLG10308*、
TLG11307*、TLG11308*

Tools prepared before installation



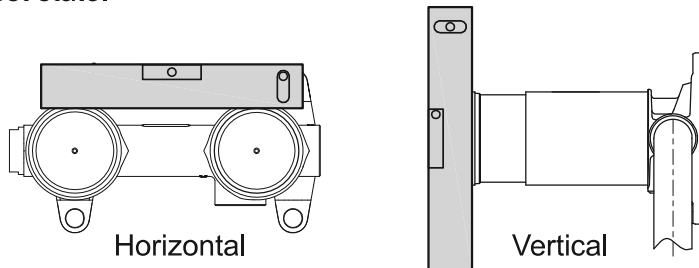
Confirmation before installation

- Confirm that the water supply pipes have been turned off and the water route has been washed before installation.
- Please read the Installation Manual carefully and install the product following the main points for installation in the manual."

I. Installation of the main body

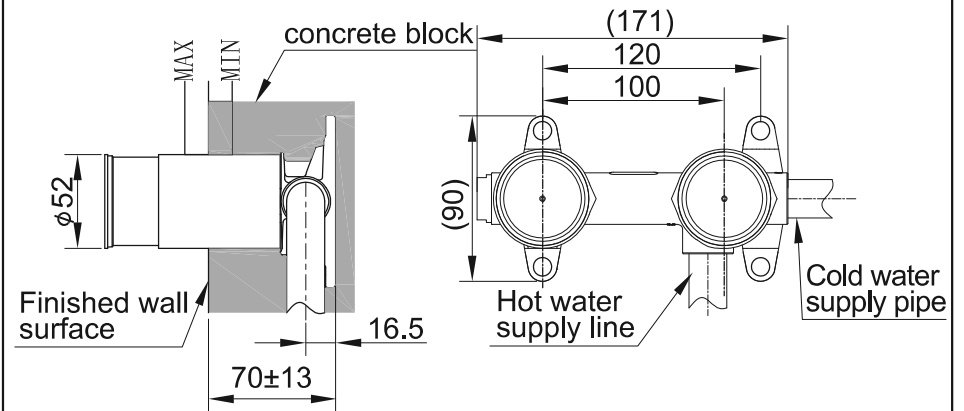
1. Please connect the main body with the corresponding pipe in advance, and then make grooves on the wall according to the size shown in the figure, otherwise there may be problems when installing the faucet.

※ Important note: Please use the level meter to correct the main body when installing, so that the horizontal and vertical are in the best state.



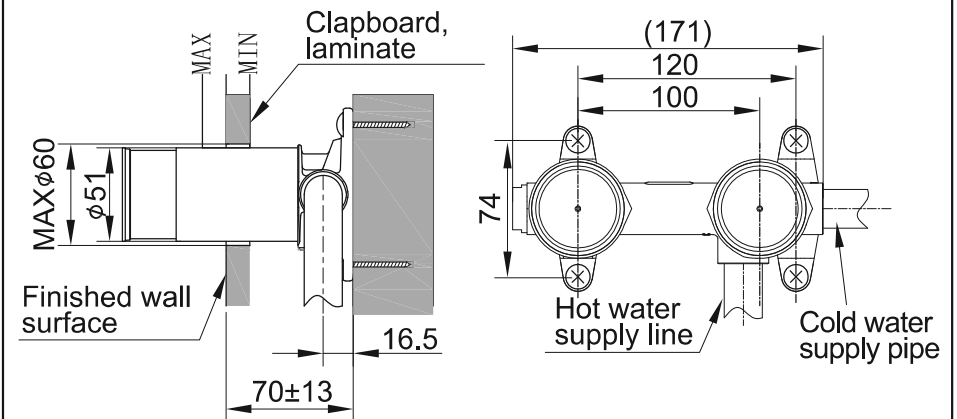
Installation of spout

Mounted to concrete block



As shown in the figure, the product is installed in the wall with fillers such as cement.

Installed into an integrated bathroom, clapboard and laminate etc.:

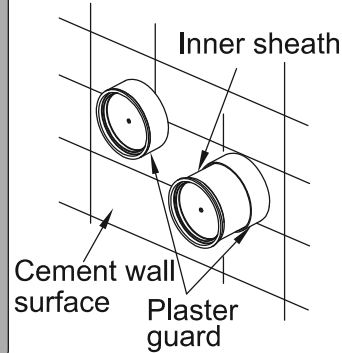


Secure the product to the wall with screws as shown in the figure.
※ Please prepare suitable screws (4 ϕ 10 screws) as needed.

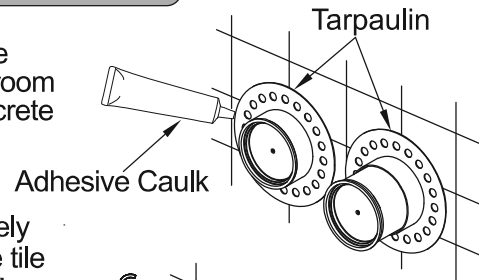
Installation of spout

Attention

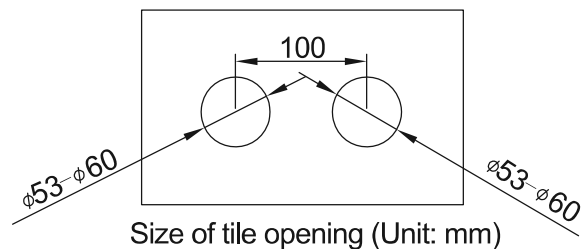
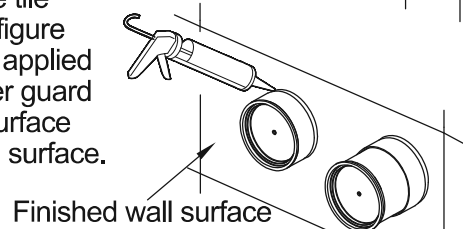
- Please do not remove the plaster guards when installing the main body.
- During the installing, please pay attention to the embedding depth of the main body; please ensure that the finished wall surface is located between the min-max marks on the plaster guard.
- After the water inlet pipe is connected with the main body and the joints are confirmed to be watertight, add cement filler.



2. Pass the tarpaulin through the plaster guard and use a bathroom adhesive to stick it to the concrete wall.



3. After the adhesive is completely dried, the tile is installed. (The tile opening size is shown in the figure below) silicon caulk is evenly applied in the gap between the plaster guard and the tile, and the rubber surface cannot protrude from the wall surface.



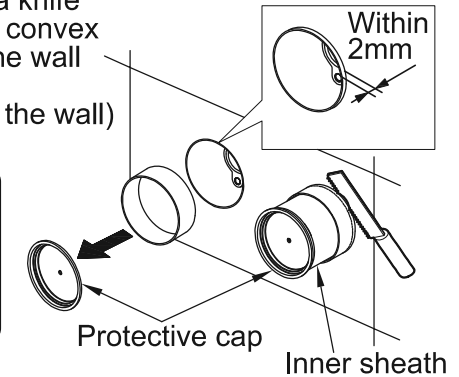
Installation of spout

II. Installation of spout and handle

1. Cut off the "plaster guard" with a knife saw. Please make sure that the convex edge of the plaster guard and the wall surface are within 2 mm.
(The edge can't be sunken inside the wall)

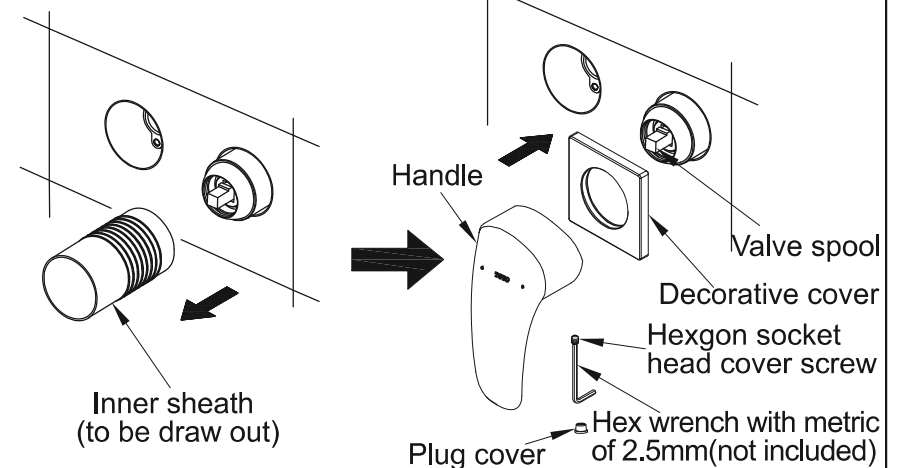
Attention

- Be sure not to cut the inner plaster guard when cutting, so as not to scratch the inner valve spool cover.



2. Installation of the handle part:

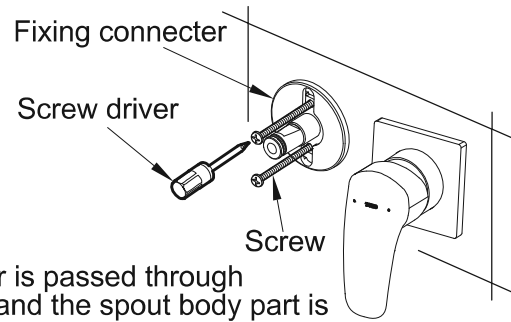
- Draw out the inner sheath (Note: The inner sheath will no longer function after installation)
- Put the decorative cover on the valve spool cover and keep it close to the wall.
(Note: For ease of installation, the O-ring on the decorative cover can be lubricated with a small amount of soapy water.)
- Install the handle on the valve spool, fix it with screws and install the plug cover on the location of screw hole.



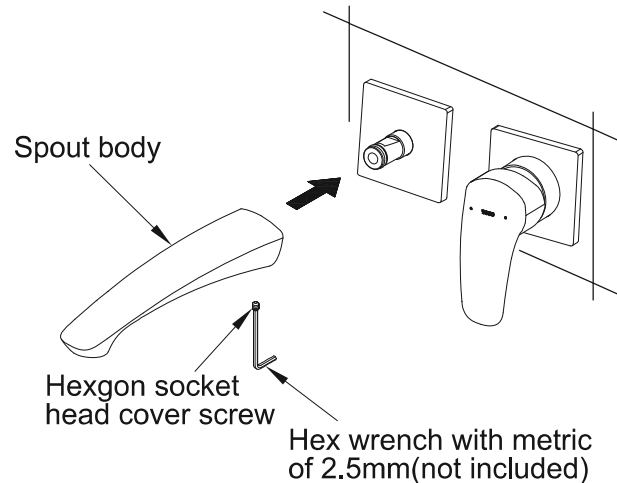
Installation of spout

3. Installation of the spout:

a. Insert the fixed connector into the main body and fasten it to the wall and fasten it with 2 screws.



b. The decorative cover is passed through the fixed connector, and the spout body part is connected to the fixed connector, so as to be completely in close contact with the decorative cover. After adjusting the position of the decorative cover and the spout body, tighten the spout body with screws.



TOTO Asia Oceania Pte. Ltd.

telephone:65-6744-6955

FAX: 65-6841-0819

Address: 10 Eunos Road 8 #12-07 Singapore Post Centre
Singapore 408600

Website:asia.toto.com

TOTO KOREA LTD.

전화번호 : (02)-3141-8236

FAX 번호 : (02)-3141-8240

주소 : 서울시 마포구 상수동 351-16번지 로이코빌딩 3층

홈페이지 : <http://www.totokr.co.kr>