

施工说明书 Installation Manual

安装产品前请仔细阅读本施工说明书，并保留备用。
Before installing the product, please read the Installation Manual carefully and keep it for future reference.

TOTO

TOTO



安装完成后，本说明书务必交由客户保存。
After installation, the manual must be kept by the customer.

0G262G(B)
2023.07

目录

TOTO Asia Oceania Pte. Ltd.

Telephone: 65-6744-6955

FAX: 65-6841-0819

Address: 10 Eunos Road 8 #12-07 Singapore Post Centre
Singapore 408600

Website: asia.toto.com

TOTO KOREA LTD.

전화번호 : (02)-3141-8236

FAX 번호 : (02)-3141-8240

주소 : 서울시 마포구 상수동 351-16번지 로이코빌딩 3층

홈페이지 : <https://kr.toto.com/>

目录

目录.....1

明细单.....2

使用条件与施工上的注意.....3

保养.....4

安装完成图.....5-6

水嘴的安装.....7

生产厂家与销售商.....8

明细单

明细单

浴用吐水口本体	1套
固定接手	1套
施工说明书	1本
使用说明书	1本

使用此明细单的产品包括:

TBG01001* 浴用吐水口

TBG02001* 浴用吐水口

TBS02001* 浴用吐水口

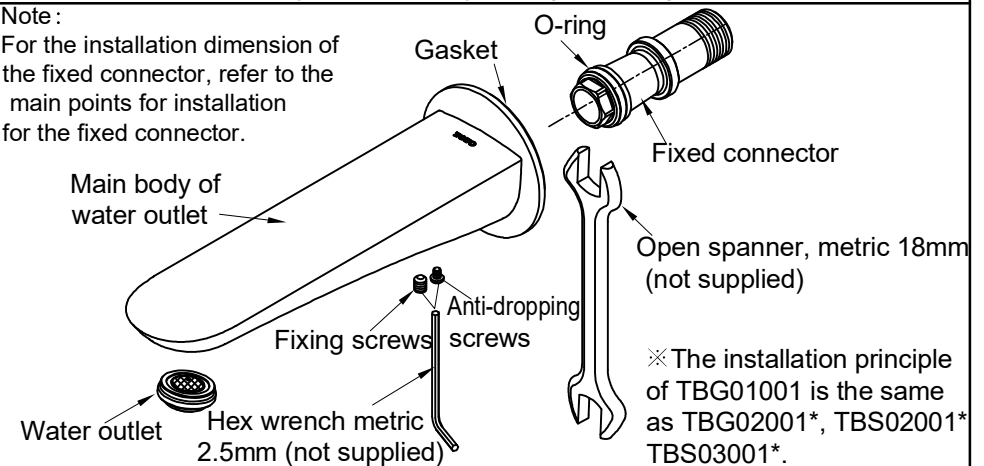
TBS03001* 浴用吐水口

Faucets installation

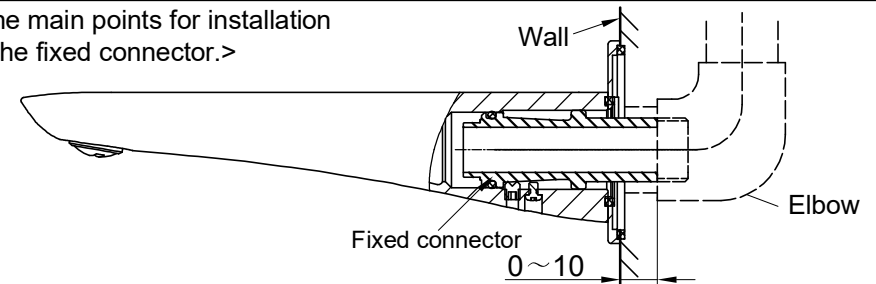
1. Cleaning in water supply pipe
Before installing the faucets, it is imperative to wash and flush out the dust, sand, etc. in the water supply pipe.
 2. Installation of main body of faucets
 - (1) Wind an appropriate amount of teflon tape on the thread of fixed connector and screw in the water supply pipe. Be sure to tight sufficiently.
 - (2) Remove the fixing screws and anti-dropping screws and then install the main body of the water outlet onto the fixed connector. Firstly, tighten sufficiently with the fixing screws and then just lock tight the anti-dropping screws. (After applying some soap water, etc. on the O-ring of the fixed connector, it will be easier to assemble)
- Note: ① Adjust the water outlet to the optimum position.
② To ensure that the body can fully cover the installation hole after installation, the OD of the wall opening shall not be greater than 47. Please grasp properly the installation hole dimension. Otherwise, the components buried in wall may not be covered after installation.
③ Please make sure that lock fixing screws and anti-dropping screws, otherwise likely spit water body in danger of falling.

Note:

For the installation dimension of the fixed connector, refer to the main points for installation for the fixed connector.

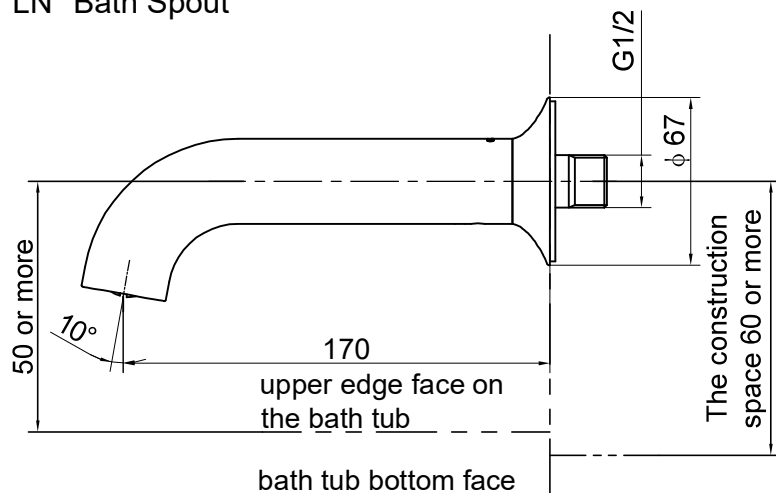


< The main points for installation for the fixed connector.>

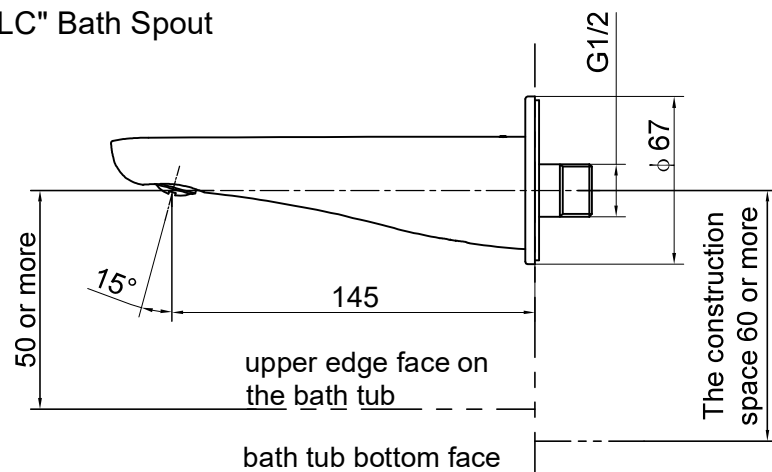


Installation completion figure

TBS02001* series
"LN" Bath Spout



TBS03001* series
"LC" Bath Spout



Note: The above dimensional unit is mm.

使用条件与施工上的注意

使用条件

1. 供冷水*热水压力:
最低压力……………0.05MPa (流动压)
最高压力……………1.0MPa (静压)
推荐使用压力……………0.1~0.5MPa (流动压)
检测压力……………0.4MPa (静压)
2. 供水温度在4℃~90℃, 建议使用热水温度60℃, 供热水请勿使用蒸汽。
3. 使用环境温度0℃以上。如果不高于0℃, 水嘴会出现变形、冻裂现象。
4. 长时间不使用时, 可导致水嘴内部及外部锈蚀不能使用等现象。
5. 如果您需要废弃本产品, 请勿将其作为一般生活垃圾处理, 请依照法规经由独立的回收体系进行合适的处理、恢复和回收。
6. 本说明书中的产品具有清洗功能。

施工上的注意

- ⚠ 警告 表示如果无视此标志而误操作时,有可能造成人员重伤或死亡。
 ⚠ 注意 表示如果无视此标志而误操作时,有可能造成人身伤害或财产损失。

警告

1. 水嘴的供热水一侧处于高温状态, 请注意勿使皮肤直接接触五金配件表面, 否则可能会烫伤。
2. 请勿配反冷*热水配管, 否则可能会烫伤。
3. 供热水请勿使用蒸汽, 否则可能会烫伤。

注意

1. 请勿撞击本产品, 否则可能会造成故障、漏水。
2. 如果吐水压力大, 请调节止水阀达到需要的流量, 避免水势过大, 溅出洗面盆。
3. 随着产品式样的不断更新, 实物存在与图示不符的情况, 但基本安装、使用原理相同。

施工上的注意与保养

⚠注意

- 4.在可能结冰的场所使用时,要切实做好防冻措施。
由于结冰,零件破损,有可能导致漏水,造成财产损失。因结冰而造成的破损即使在保修期内也是有偿修理。请不要让产品的温度低于 0°C。

防冻措施

在可能结冰的场所使用时,要切实做好防冻措施。

- 1.产品结冰的话零件损坏,成为漏水的原因。
- 2.因结冰造成的零件损坏即使在保修期内也是有偿修理。
- 3.施工完了后或长时间不使用时,要有预防突然降温的准备,要对产品进行结冰预防。
- 4.因为有结冰的危险,请不要让产品周围的温度在 0°C 以下。

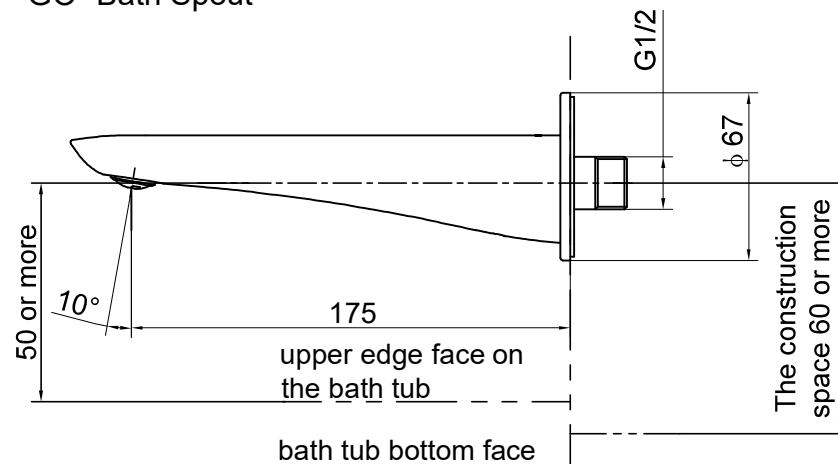
保养

为长期保持产品的美观,请用户按以下方法维护保养。

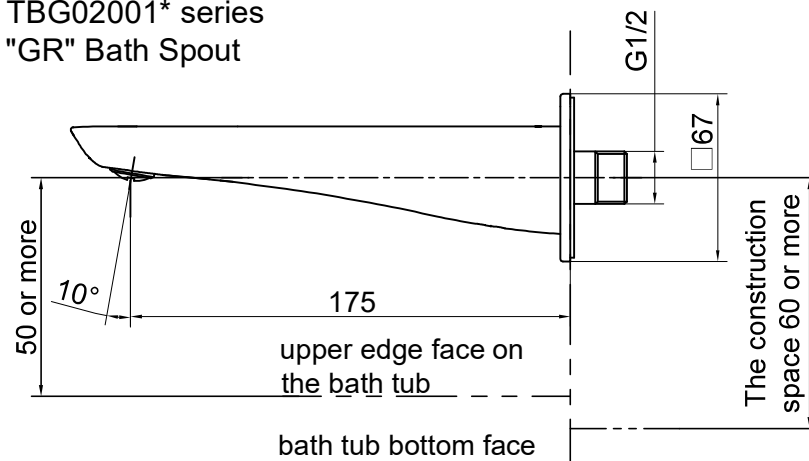
- 1.经常用软布擦拭或用软布蘸水擦拭。
- 2.当有污垢且较明显时,请用中性洗涤剂擦拭后充分进行水洗。

Installation completion figure

TBG01001* series
"GO" Bath Spout



TBG02001* series
"GR" Bath Spout



Note: The above dimensional unit is mm.

Attentions in construction and Maintenance

⚠️ Attentions

4. When using in places where frost damage may occur, anti-freezing measures must be taken.

The parts will be damaged due to frost damage, which may cause water leakage and property loss. Damages caused by frost damage are repaired for a fee even during the warranty period. Please ensure that the ambient temperature of the product is always above 0°C.

Anti-freezing measures

When using in places where frost damage may occur, anti-freezing measures must be taken.

1. The parts will be damaged due to frost damage, which may cause water leakage.
2. Damaged parts caused by frost damage are repaired for a fee even during the warranty period.
3. After the construction is completed or when it is not used for a long time, prepare to prevent sudden drop of temperature and prevent the product from frost damage.
4. Because of the risk of frost damage, please ensure that the ambient temperature of the product is always above 0°C.

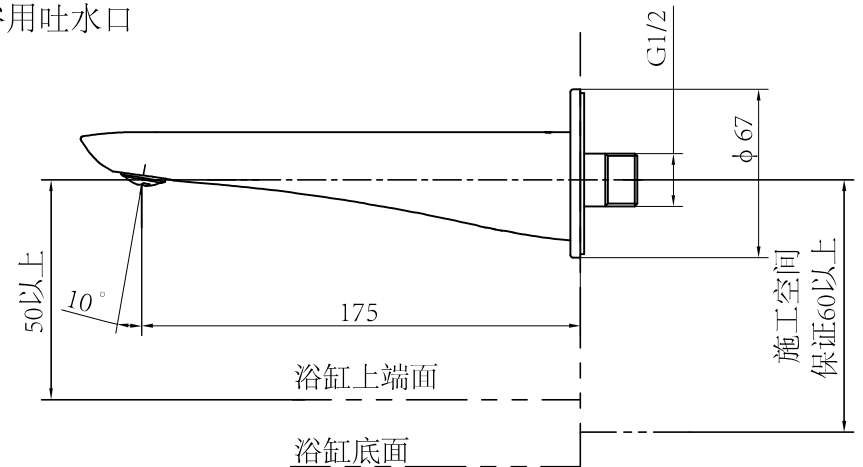
Maintenance

To maintain the good appearance of the product for a long time, the user is requested to conduct maintenance and care by the following method.

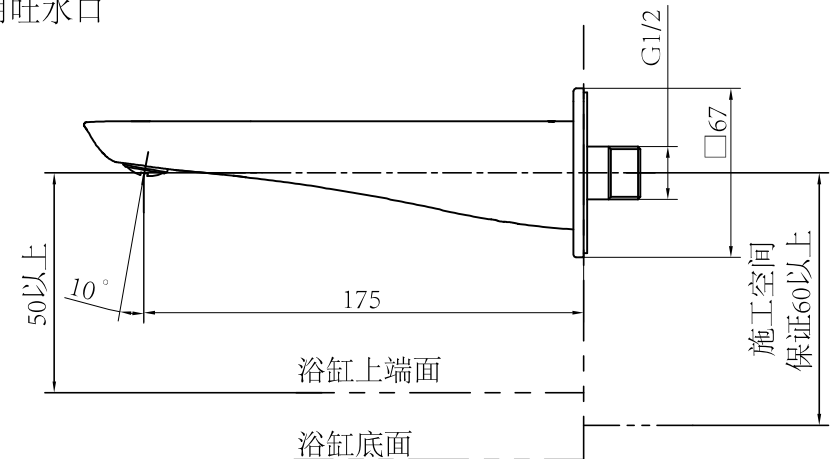
1. Wipe with a piece of soft cloth frequently and use a piece of soft cloth dipped in water to wipe from time to time.
2. When dirt exists obviously, please use water to wash sufficiently after wiping with a neutral detergent.

安装完成图

TBG01001B*系列
浴用吐水口



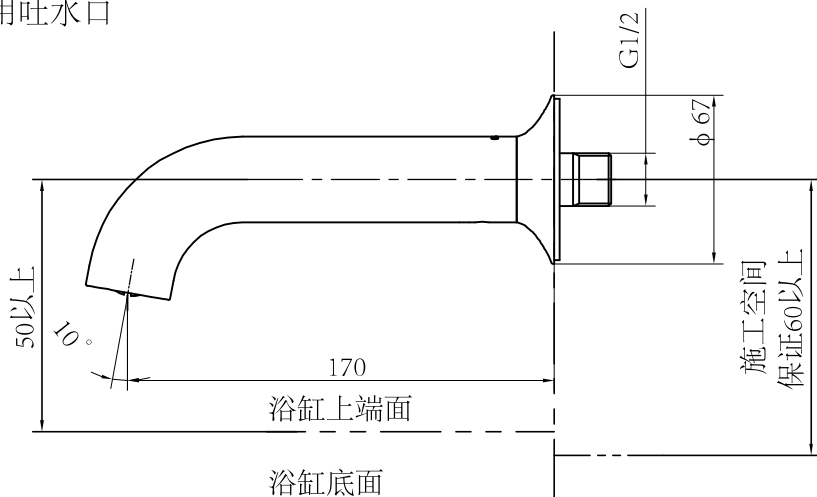
TBG02001B*系列
浴用吐水口



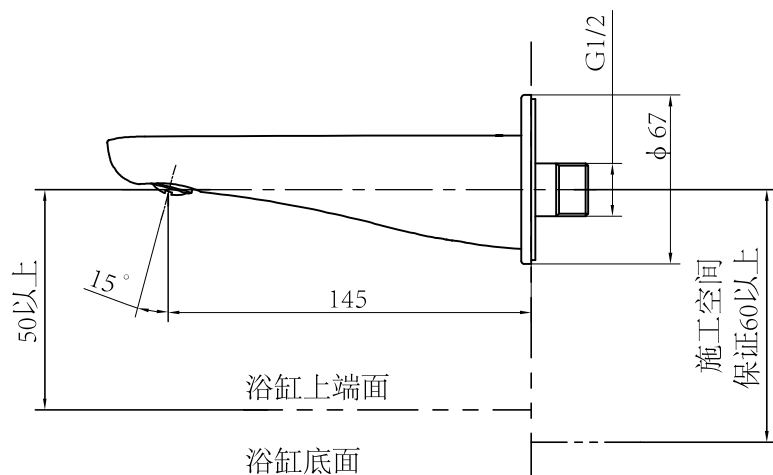
注： 上記尺寸单位为mm。

安装完成图

TBS02001B*系列
浴用吐水口



TBS03001*系列
浴用吐水口



注：上記尺寸单位为mm。

Use condition and attentions in construction

Use condition

1. Cold water supply*hot water supply pressure
 Minimum pressure 0.05MPa (flow pressure)
 Maximum pressure 1.0MPa (static pressure)
 Recommended Operating pressure 0.1~0.5MPa (flow pressure)
 Test pressure 1.6MPa (static pressure)
2. The temperature for water supply is 4~90°C. It is recommended to use hot water temperature of 60°C, Do not use steam to supply hot water.
3. The ambient temperature for use is above 0°C. If the ambient temperature is lower than 0°C, the faucets will deform and crack from freezing.
4. Being out of use for a long time may result in internal and external rust to the faucets and being unable to be used.
5. If you want to scrap this product, do not treat it as you do for general household garbage. Please follow relevant statutes to have it treated, recovered and collected appropriately by an independent recovery system.
6. The product in these instructions has a cleaning function.

Attentions in construction

- ⚠ Warning: it means that ignoring this mark and misoperation may cause serious personal injury and death.
- ⚠ Attention: it means that ignoring this mark and misoperation may cause personal injury or property loss.

⚠ Warning

1. The hot water supply side of the faucets is in a condition of high temperature. Do not allow skin to contact with the hardware surface directly. Otherwise, scalding may occur.
2. Do not reverse the cold*hot water pipes. Otherwise scalding may occur.
3. Do not use steam to supply hot water. Otherwise, scalding may occur.

⚠ Attentions

1. Do not impact the product. Otherwise, failure, water leakage may occur.
2. If the water outlet pressure is too high, please adjust the water valve to the water flow you need to avoid the water sprinkled out the basin.
3. With the product design being updated constantly, the physical object may not coincide with the figure. However, the basic principle for installation, use is the same.

Detailed list

Detailed list

- Water outlet body for bath.....1set
- Fixed connector.....1set
- Instructions for construction.....1copy
- Instructions for operation..... 1copy

The products using this detailed list include:

- TBG01001* "GO" Bath Spout
- TBG02001* "GR" Bath Spout
- TBS02001* "LN" Bath Spout
- TBS03001* "LC" Bath Spout

水嘴的安装

1.供水管内的清扫

水嘴安装前必须先将供水管内的尘埃、砂砾等到完全洗净、冲出。

2.水嘴主体部分的安装

- (1)将固定接手螺纹处缠上适量生料带，旋进供水管中，要充分拧紧。
- (2)将固定螺丝和防掉螺丝拧下，然后将吐水主体装到固定接手上，先用固定螺丝充分拧紧，再锁紧防掉螺丝即可。（在固定接手的O型圈上涂肥皂水等之后会更容易装配）

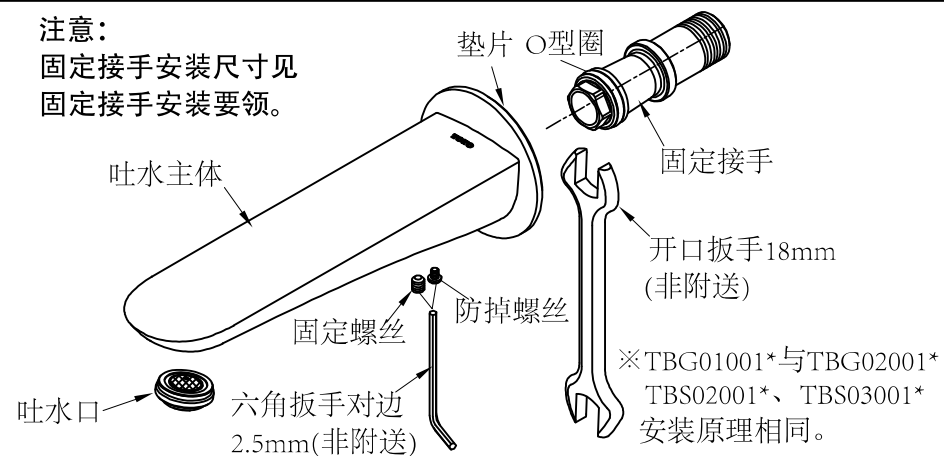
注意：①调整吐水口至最佳方向。

②为确保安装后本体能完全盖住安装孔,墙壁开孔的外径不能大于 $\phi 47$, 请把握好安装孔的开孔尺寸, 否则会出现安装后埋墙部件不能被遮盖的现象。

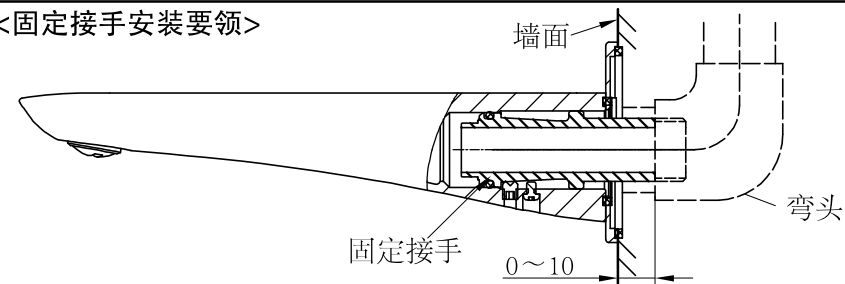
③请确保锁紧固定和防掉螺钉, 否则有可能出现吐水本体掉落的现象。

注意：

固定接手安装尺寸见
固定接手安装要领。



<固定接手安装要领>



生产厂家与销售商

产品型号：见包装箱上的标签
产品名称：见包装箱上的标签
生产日期：见包装箱上的标签
组装工厂：东陶机器(广州)有限公司

厂 址：广州市番禺区南村镇兴南大道715号

东陶(中国)有限公司
全国售后服务电话：800-820-9787(固定电话)
400-820-9787(手机用户)



扫描二维码，
服务预约，方便快捷

销售商：东陶(中国)有限公司
地 址：北京市朝阳区光华路1号 北京嘉里中心北楼1915室
网 址：www.toto.com.cn

Contents

Contents

Contents	1
Detailed list	2
Use condition and attentions in construction	3
Attentions in construction and Maintenance.....	4
Installation completion figure.....	5-6
Faucets installation.....	7