



铜合金单柄单控阀

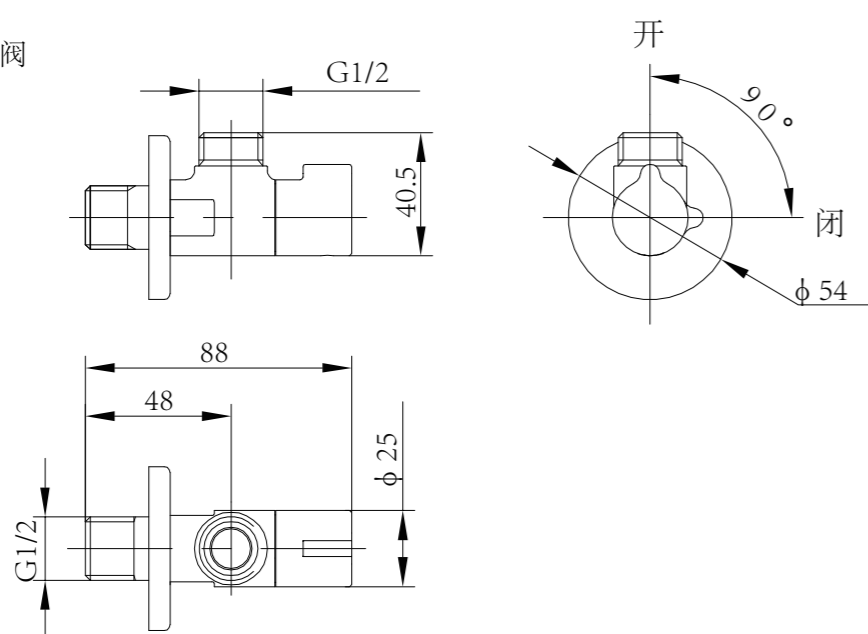
安装产品前仔细阅读本施工说明书，并保存备用。

明细单

单控阀本体	1套
装饰盖	1个

安装完成图

TLN01101*系列
铜合金单柄单控阀



注：上記尺寸单位为mm；

单控阀的安装

1.供水管内的清扫

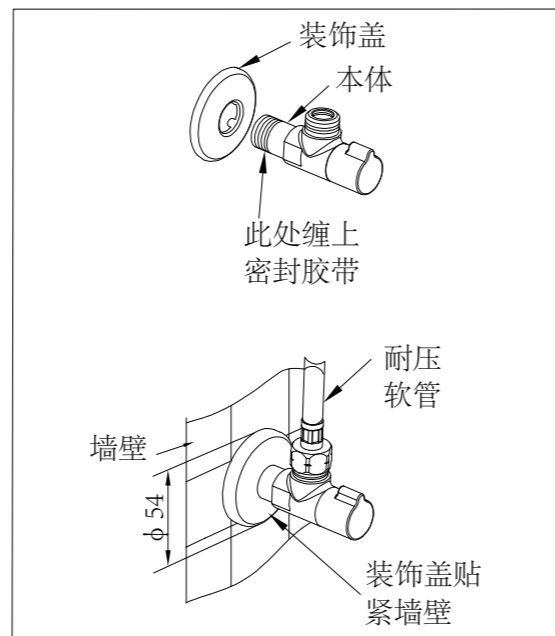
安装之前，一定要冲净水管内的灰尘、砂砾等异物；

2.单控阀主体的安装(如右图)

- ①将装饰盖套入单控阀本体。
- ②在单控阀本体的进水管螺纹处缠上密封胶带，然后旋入供水管中。
- ③将装饰盖紧贴在墙上。
- ④单控阀的出水端与耐压软管连接。

注意：

- a.为确保安装后装饰盖能完全盖住安装孔,请把握好安装孔的开孔尺寸(建议开孔尺寸 $\phi 47$ 以下),否则会出现安装后埋墙部件不能被遮盖的现象。
- b.安装完毕后,请调节装饰盖到靠墙位置。



使用条件

- 1.供冷水*供热水压力:
最低压力.....0.05MPa(流动压)
最高压力.....1.0MPa(静压)
推荐使用压力.....0.1~0.5MPa(流动压)
检测压力.....1.6MPa(静压)
- 2.供水温度在4℃~90℃,建议使用热水温度60℃,供热水请勿使用蒸汽。
- 3.使用环境温度0℃以上,如果不高于0℃,单控阀会出现变形、冻裂等现象。
- 4.长时间不使用时,可能导致单控阀内部及外部锈蚀不能使用等现象。
- 5.如果您需要废弃本产品,请勿将其作为一般生活垃圾处理,请依照法规经由独立的回收体系进行合适的处理、恢复和回收。
- 6.本说明书中的产品具有清洗功能。
- 7.本产品与便器等非直接饮用产品搭配。

施工上的注意

警告 表示如果无视此标志而误操作时,有可能造成人员重伤或死亡。

注意 表示如果无视此标志而误操作时,有可能造成人身伤害或财产损失。

警告

- 1.单控阀的供热水一侧处于高温状态,请注意勿使皮肤直接接触五金配件表面,否则可能会烫伤。
- 2.供热水请勿使用蒸汽,否则可能会烫伤。

注意

- 1.请勿撞击本产品,否则可能会造成故障、漏水。
- 2.随着产品式样的不断更新,实物存在与图示不符的情况,但基本安装、使用原理相同。
- 3.在可能结冰的场所使用时,要切实做好防冻措施。
由于结冰,零件破损,有可能导致漏水,造成财产损失。因结冰而造成的破损即使在保修期内也是有偿修理。请不要让产品的温度低于0℃。

防冻措施

在可能结冰的场所使用时,要切实做好防冻措施。

- 1.产品结冰的话零件损坏,成为漏水的原因。
- 2.因结冰造成的零件损坏即使在保修期内也是有偿修理。
- 3.施工完了后或长时间不使用时,要有预防突然降温的准备,要对产品进行结冰预防。
- 4.因为有结冰的危险,请不要让产品周围的温度在0℃以下。

保养

为长期保持产品的美观,请用户按以下方法维护保养。

- 1.经常用软布擦拭或用软布蘸水擦拭。
- 2.当有污垢且较明显时,请用中性洗涤剂擦拭后充分进行水洗。
- 3.不得使用洁厕粉、去污粉、机油、辛那水、强酸、强碱性洗涤剂或含颗粒物质的洗涤剂、尼龙刷子来清洁本产品。

生产厂家与销售商

产品型号：见包装箱上的标签
产品名称：见包装箱上的标签
生产日期：见包装箱上的标签
组装工厂：东陶机器(广州)有限公司

厂址：广州市番禺区南村镇兴南大道715号

东陶(中国)有限公司
全国售后服务电话：800-820-9787(固定电话)
400-820-9787(手机用户)



扫描二维码,
服务预约,方便快捷

销售商：东陶(中国)有限公司
地址：北京市朝阳区光华路1号
北京嘉里中心北楼1915室
网址：www.toto.com.cn

TOTO

Stop Valve

Before product installation, read these instructions for construction carefully and retain it for future reference

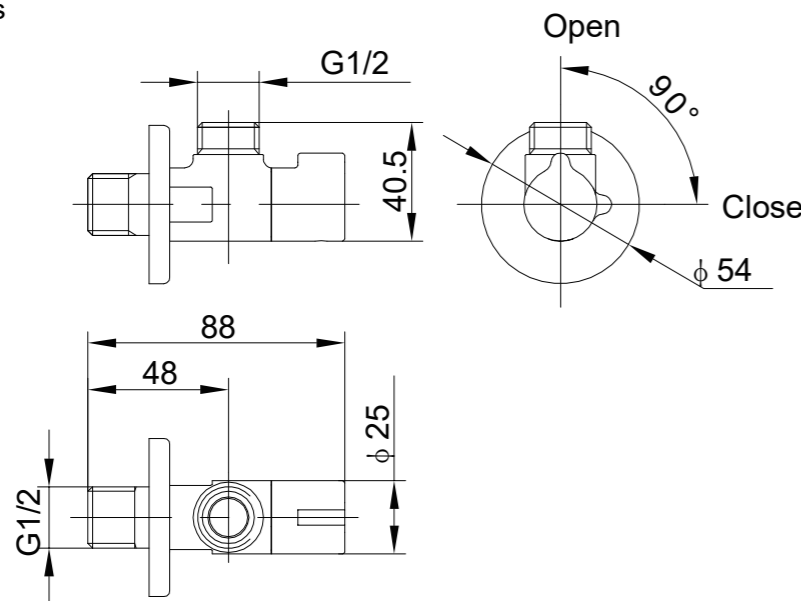
Detailed list

Stop valve body.....1 set

Decorating cover.....1 piece

Installation completion figure

TLN01101*series
Stop valve



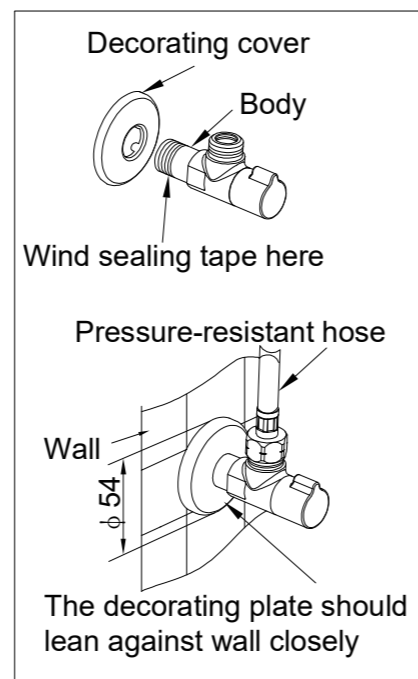
Note: The above dimensional unit is mm.

Single control valve installation

- Cleaning to the internal part of water supply pipe Before installation, be sure to wash away such foreign matters as dust, sand grit, etc. from the water pipe.
- Installation of main body of stop valve
 - Put the decorating cover in the body of the stop valve.
 - Wind sealing tape on the screw threads of the water inlet pipe of the stop valve body and then screw in the water supply pipe.
 - Let the decorating cover lean against the wall closely.
 - Connect the water outlet end of the stop valve with the pressure-resistant hose.

Attention:

- To ensure that the decorating cover can cover the installation hole completely after installation, please control properly the installation hole dimension (it is suggested that the hole dimension should be less than 47mm). Otherwise, the components buried in wall may not be covered after installation.
- After installation, please adjust the decorating cover to such a location as leaning against the wall.



TOTO

Use condition

- Cold water supply*hot water supply pressure
 - Minimum pressure.....0.05MPa (flow pressure)
 - Maximum pressure.....1.0MPa (static pressure)
 - Recommended Operating pressure.....0.1~0.5MPa (flow pressure)
 - Test pressure1.6MPa (static pressure)
- The temperature for water supply is 4~90°C. It is recommended to use hot water temperature of 60°C. Do not use steam to supply hot water.
- The ambient temperature for use is above 0°C. If the ambient temperature is lower than 0°C, The stop valve will deform and crack from freezing.
- Being out of use for a long time may result in internal and external rust to the stop valve and being unable to be used.
- If you want to scrap this product, do not treat it as you do for general household garbage. Please follow relevant statutes to have it treated, recovered and collected appropriately by an independent recovery system.
- The product in these instructions has a cleaning function.
- This item is used with toilet and other products for non-drink water.

Attentions in construction

⚠ Warning: it means that ignoring this mark and misoperation may cause serious personal injury and death.

⚠ Attention: it means that ignoring this mark and misoperation may cause personal injury or property loss.

⚠ Warning

- The hot water supply side of the stop valve is in a condition of high temperature. Do not allow skin to contact with the hardware surface directly. Otherwise, scalding may occur.
- Do not use steam to supply hot water. Otherwise, scalding may occur.

⚠ Attentions

- Do not impact the product. Otherwise, failure, water leakage may occur.
- With the product design being updated constantly, the physical object may not coincide with the figure. However, the basic principle for installation, use is the same.
- When using in places where frost damage may occur, anti-freezing measures must be taken. The parts will be damaged due to frost damage, which may cause water leakage and property loss. Damages caused by frost damage are repaired for a fee even during the warranty period. Please ensure that the ambient temperature of the product is always above 0°C.

Anti-freezing measures

When using in places where frost damage may occur, anti-freezing measures must be taken.

- The parts will be damaged due to frost damage, which may cause water leakage.
- Damaged parts caused by frost damage are repaired for a fee even during the warranty period.
- After the construction is completed or when it is not used for a long time, prepare to prevent sudden drop of temperature and prevent the product from frost damage.
- Because of the risk of frost damage, please ensure that the ambient temperature of the product is always above 0°C.

Maintenance

To maintain the good appearance of the product for a long time, the user is requested to conduct maintenance and care by the following method.

- Wipe with a piece of soft cloth frequently and use a piece of soft cloth dipped in water to wipe from time to time.
- When dirt exists obviously, please use water to wash sufficiently after wiping with a neutral detergent.
- Do not use toilet cleaning powder, abstergent, machine oil, xina water, strong acidic and alkaline detergent or such detergent as containing particle matters, nylon brush to clean this product.

TOTO Asia Oceania Pte. Ltd.

Telephone:65-6744-6955

FAX: 65-6841-0819

Address:

10 Eunos Road 8 #12-07 Singapore Post

Centre Singapore 408600

Website:asia.toto.com

TOTO KOREA LTD

전화번호 : (02)-3141-8236

FAX 번호 : (02)-3141-8240

주소 : 서울시 마포구 상수동 351-16번지

로이코빌딩 3층

홈페이지 : <http://kr.toto.com/>