

**TOTO**

**施工说明书**  
**Instructions for construction**

安装产品前请仔细阅读本施工说明书，并保留备用。  
Before product installation, read these instructions for  
construction carefully and retain it for future reference.

**TOTO**

**OG3551Y(A)**  
**2020.04**

# 目录

## 目 录

目 录.....	1
明细单.....	2
使用上的条件与施工上的注意...	3
施工上的注意和保养 .....	4
安装完成图.....	5-9
水嘴的安装.....	10-15
生产厂家与经销商.....	16

# 明细单

## 明细单

水嘴主体.....	1套
手 柄 部.....	1套
排水金具.....	1套
施工说明书.....	1本
使用说明书.....	1本
使用此明细单的产品包括:	
DL369* 铜合金台式单柄双控洗面器水嘴 (含排水配件)	
DL369-1* 铜合金台式单柄双控洗面器水嘴 (含排水配件)	
DL369-2* 铜合金台式单柄双控洗面器水嘴 (含排水配件)	
DL370* 铜合金台式单柄双控洗面器水嘴 (含排水配件)	
DL370-1* 铜合金台式单柄双控洗面器水嘴 (含排水配件)	

# 使用条件与施工上的注意

## 使用条件

1. 供冷水\*热水压力：  
最低压力……………0.05MPa（流动压）  
最高压力……………1.0MPa（静压）
2. 供水温度4℃~90℃，建议使用温度60±5℃，供热水请勿使用蒸汽。
3. 使用环境温度0℃以上。如果低于0℃，水嘴会出现变形、冻裂等现象。
4. 长时间不使用时，可能导致水嘴内部及外部锈蚀不能使用等现象。
5. 如果您需要废弃本产品，请勿将其作为一般生活垃圾处理，请依照法规经由独立的回收体系进行合适的处理、恢复和回收。
6. 本说明书中的产品具有清洗功能。

## 施工上的注意

- ⚠警告** 表示如果无视此标志而误操作时，有可能造成人员重伤或死亡。  
**⚠注意** 表示如果无视此标志而误操作时，有可能造成人身伤害或财产损失。

### ⚠警告

1. 水嘴的供热水一侧处于高温状态，请注意勿使皮肤直接接触五金配件表面，否则可能会烫伤。
2. 请勿配反冷\*热水配管，否则可能会烫伤。
3. 供热水请勿使用蒸汽，否则可能会烫伤。
4. 如果客户不使用我司水嘴自带的进水口过滤网，可能会出现阀芯因异物进入而导致的漏水或破损的风险。

# 施工上的注意和保养

## ⚠注意

1. 由于陶瓷阀芯是较精密的部件，请勿擅自分解，否则可能会造成漏水等不良。
2. 请勿撞击本产品，否则可能会造成故障、漏水。
3. 必须使用中性洗涤剂清洗，中性以外的洗涤剂会破坏镀层或使表面变色。
4. 不得使用酸性洗涤剂和去污粉、抛光粉等含粗颗粒的洗涤剂和尼龙刷，否则可能会破坏镀层等。
5. 可使用软布擦拭，间或用机油或车用蜡浸布擦拭，但请勿接触树脂部件，否则可能失去光泽和产生锈蚀。
6. 建议不要长时间不使用，否则可能会导致水嘴内部以及外部锈蚀不能使用等现象。
7. 随着产品式样的不断更新，实物存在与图示不符的情况，但基本安装、使用原理相同。

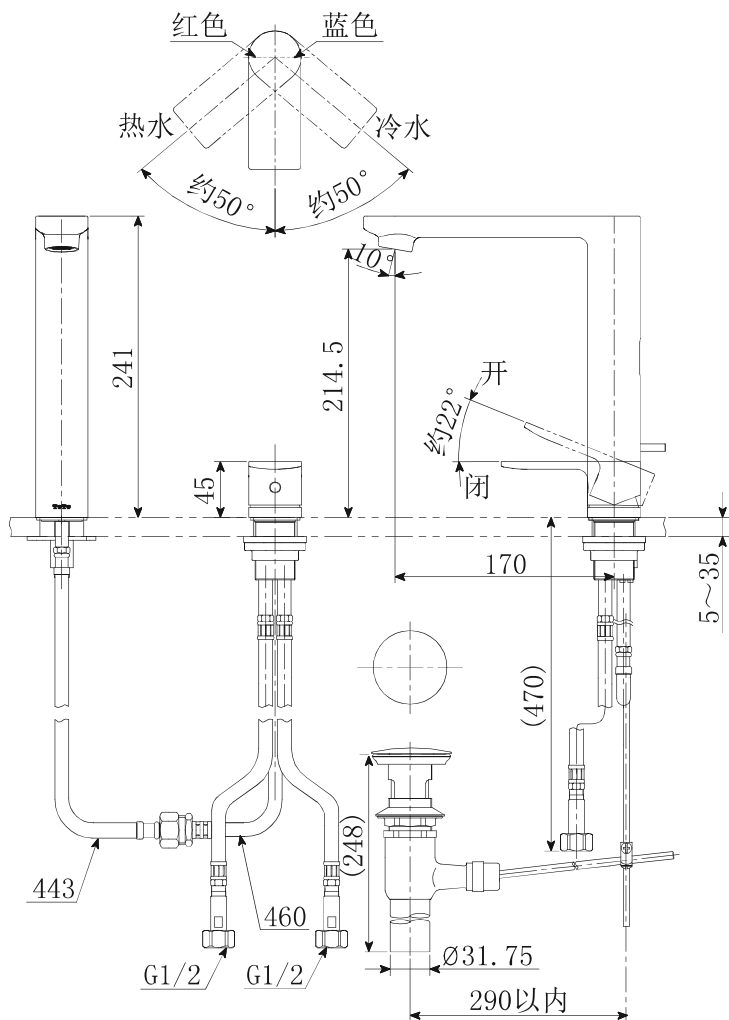
## 保养

- 为长期保持产品的美观，请用户按以下方法维护保养。
1. 经常用软布擦拭，间或用软布蘸水擦拭。
  2. 当有污垢且比较明显时，请用中性洗涤剂擦拭后充分进行水洗。



# 安装完成图

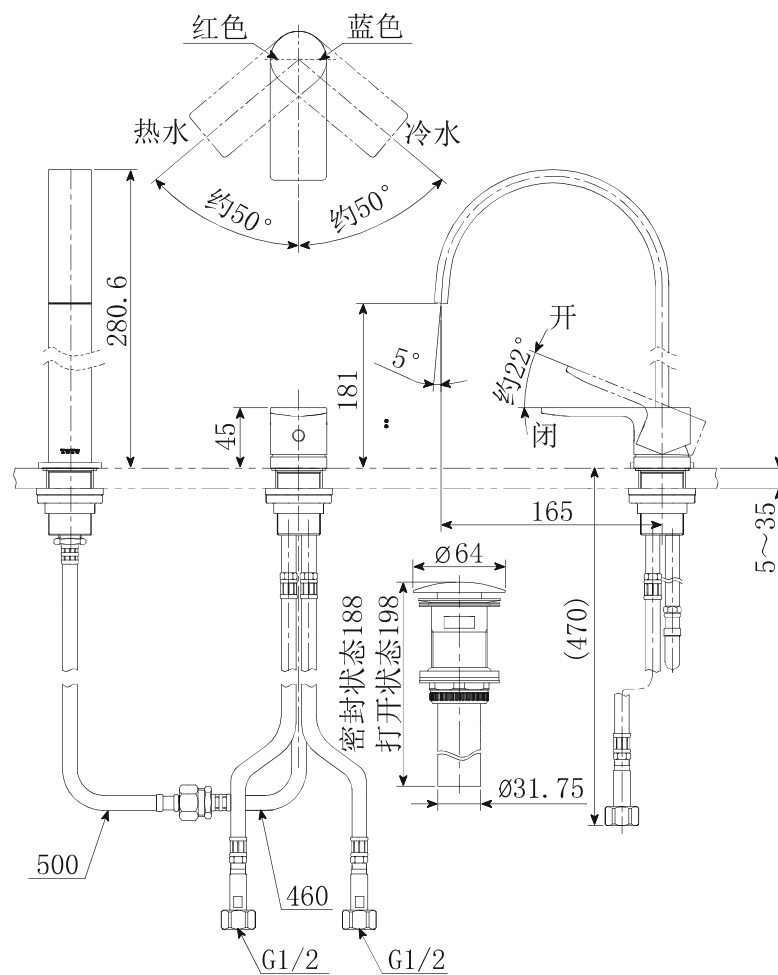
DL369-2\* 铜合金台式单柄双控洗面器水嘴(含排水配件)



注：上記尺寸单位为mm  
 ( ) 内尺寸为参考尺寸

# 安装完成图

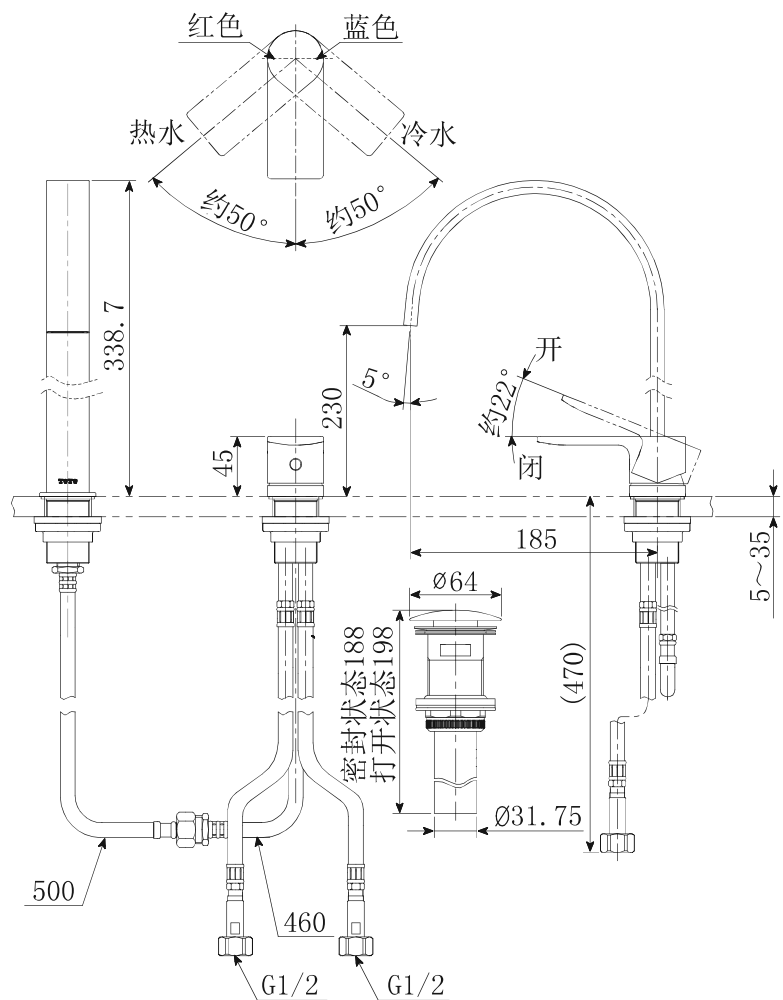
DL370\* 铜合金台式单柄双控洗面器水嘴(含排水配件)



注：上記尺寸单位为mm  
 ( ) 内尺寸为参考尺寸

# 安装完成图

DL370-1\* 铜合金台式单柄双控洗面器水嘴(含排水配件)



注：上記尺寸单位为mm  
( ) 内尺寸为参考尺寸

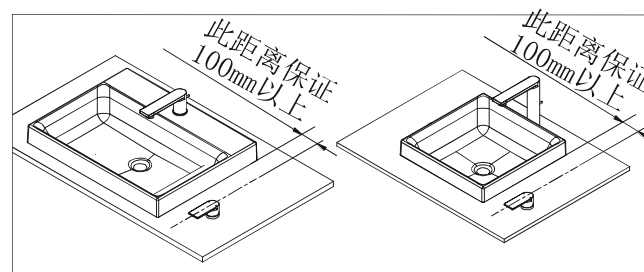
# 水嘴的安装

## 1. 供水管内的清扫

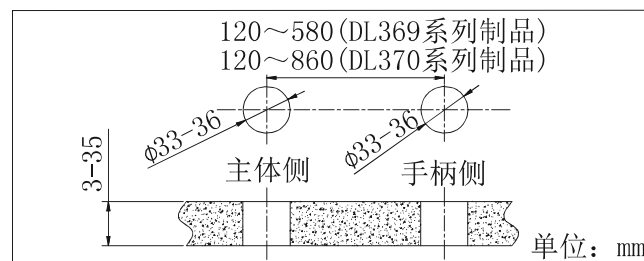
安装之前，一定要冲净供水管内的灰尘。砂砾等异物

## 2. 水嘴的安装

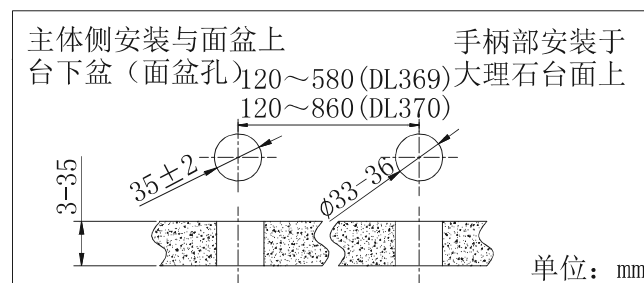
①主体部安装在洗面盆上，手柄部安装在大理石台面上。手柄部安装台面开孔中心距离面盆边缘100mm以上



②-1主体部和手柄部均安装在大理石台面时开孔尺寸设定

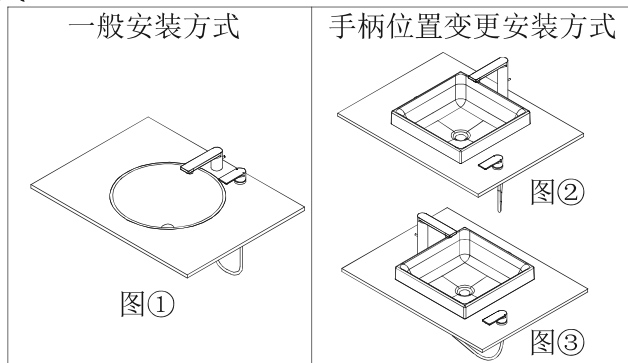


②-2主体部安装于单孔洗面盆上，手柄部安装于大理石台面上时开孔尺寸设定，此安装方式只限定DL369和DL370两款产品。



# 水嘴的安装

## ③安装方式



此系列制品当安装在大理石台面的时候安装具有随意性  
如图①所示：手柄部和主体部可以并排安装于大理石台面上，此种状态的安装台面开孔中心距离要保证120mm

如图②③所示：手柄部和主体部可以自由位置安装于大理石台面上，此种状态的安装由于受到耐压软管长度的限制，DL369系列手柄部和主体部开孔中心距离要保证在580mm以内，DL370系列手柄部和主体部开孔中心距离要保证在860mm以内；对于DL369和DL370两个制品吐水主体部安装在洗面盆的情况下，手柄部的开孔距离洗面盆孔的距离也要按照上述保证。

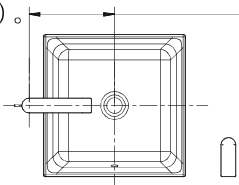
### 注意事项：

1. 软管的安装长度参照完成图，客户安装时可能会因为安装方式的不同，出现进水管长度不足现象，在此情况下，客户可以购买市场销售软管，接在进水管和止水阀间。特别注意图②③。

2. DL369、DL370安装于大理石台面时，主体部的台座由客户确定是否采用，不使用此台座时客户自行将台座丢弃即可。

3. DL370主体部如果要丢弃台座的话，请客户自行在主体部粘贴发泡垫片，防止水渗入台面（DL370附带发泡垫片）。  
DL369/DL369-1保证270以内  
DL369-2保证290以内

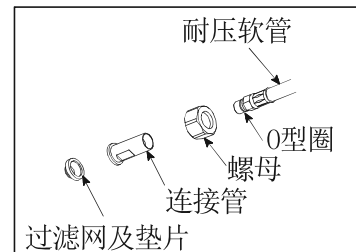
4. DL369系列制品排水金具注意事项，主体部和面盆排水孔的安装距离受到排水金具反冲拉杆长度的限制，距离过远会导致排水金具无法动作，安装请参照右图所示。



# 水嘴的安装

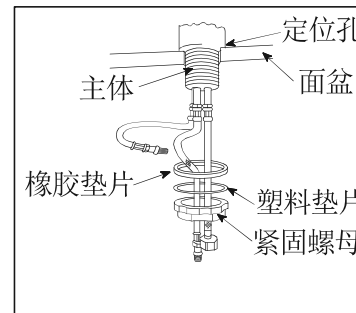
## 3. 手柄部分的安装

①如右图所示，拧下冷热水供水管下端的连接部件（包括螺母、橡胶垫片、连接管）**注意：拆装时不要划伤O型圈**



②如右图所示，调节水嘴手柄部的方向。利用紧固螺母将其固定在大理石台面上。

**注意：安装时如右图所示，将橡胶垫片、塑料垫片、紧固螺母依次套在耐压软管上，然后弯曲其余两根耐压软管装入其中。**

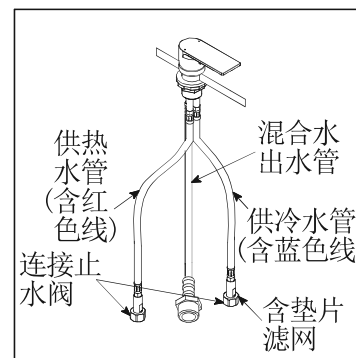


③如右图所示，将冷热供水管下端拆下的连接部件装回去。

**注意：要充分将供水管与连接管拧紧以防从右图的O型圈密封处漏水。**

④将冷、热水进水管连接到供水阀上。

**注意：不要接错冷热水管。安装时不要拆损或拉伸耐压软管，以免损伤耐压软管的连接部位，发生漏水。另外若止水阀的质量不好也会漏水。**

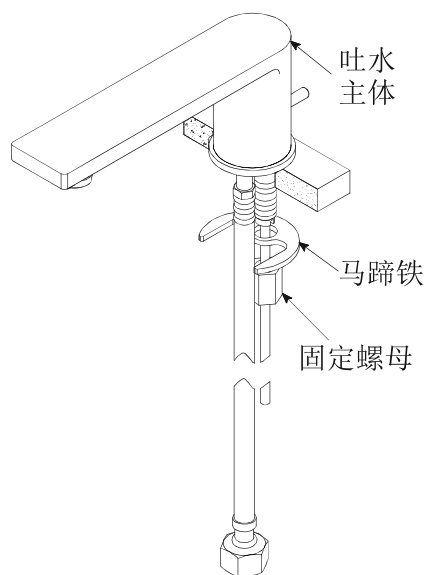


# 水嘴的安装

## 4. 吐水口部的安装

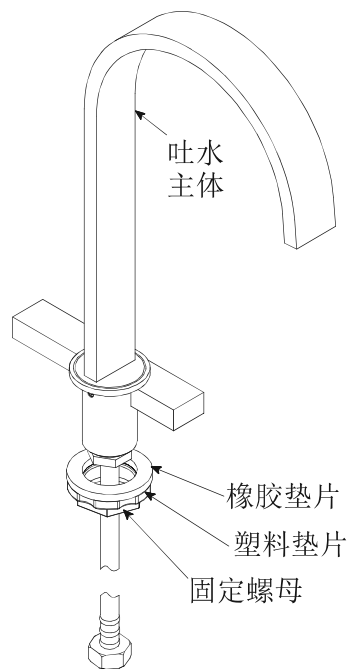
### DL369系列

- ①如图所示，卸下主体下部的固定螺母和马蹄铁；
- ②调整主体的方向，使其达到想要的安装方式；
- ③在将马蹄铁和固定螺母安装到主体上注意要充分拧紧。



### DL370系列

- ①如图所示，卸下主体下部的固定螺母及垫片；
- ②调整主体的方向，使其达到想要的安装方式；
- ③在将垫片和固定螺母安装到主体上注意要充分拧紧。

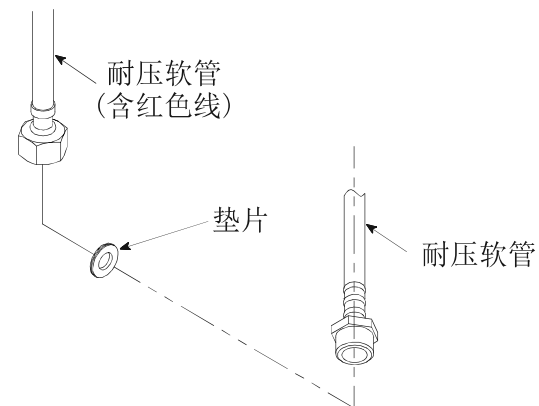


# 水嘴的安装

## 5. 耐压软管的连接

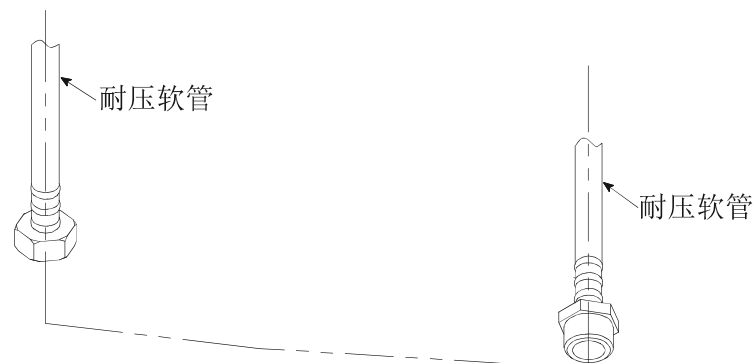
### DL369系列

DL369系列耐压软管的连接，将手柄侧出混合水的软管与吐水口侧的软管直接连接好，中间使用垫片密封。



### DL370系列

DL370系列耐压软管的连接，将手柄侧出混合水的软管与吐水口侧的软管直接连接好。

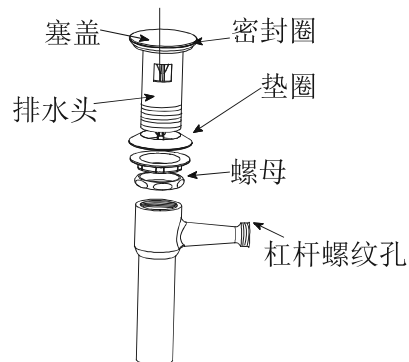




# 水嘴的安装

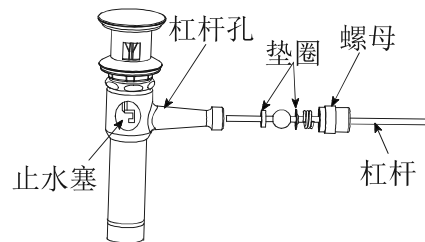
## 排水金具的安装（示例）

### ①排水主体的安装



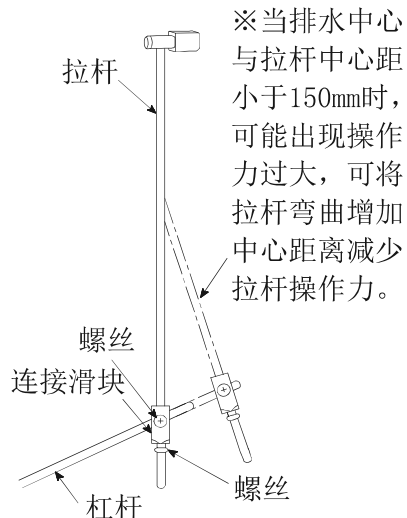
- 把排水头和密封圈从排水主体上卸下。
- 然后把排水主体从面盆下面放入。
- 从面盆上面将排水头和密封圈组合到排水主体上。
- 调节安装杠杆螺纹孔的方向，使其正对墙壁。（若主体安装方向特殊，安装杠杆也随之调整。）
- 将螺母拧至合适位置，避免面盆破损。

### ②排水栓的安装



- 请注意止水塞的方向。
- 将杠杆经过杠杆孔，插入到止水塞孔中，然后把螺母旋紧。

### ③提拉杆的安装



※当排水中心与拉杆中心距小于150mm时，可能出现操作力过大，可将拉杆弯曲增加中心距离减少拉杆操作力。

- 如图所示：先将杠杆穿过连接滑块，然后用连接螺母将提拉杆与连接杆固定，再调整连接滑块的位置，使杠杆与止水塞处于合适位置并用螺丝固定。
- 如果止水塞不能正常升降，请客户自行调节连接滑块在连接杆与杠杆的位置。

### DL370系列用按压式排水金具安装

- 把排水管和螺母及垫片等从排水主体上卸下。
- 将排水主体从面盆上面放入。
- 将垫片从下面放入同时将螺母拧至合适的位置，避免面盆破损。
- 最后将排水管拧紧即可。

# 生产厂家与销售商

执行标准：GB 18145-2014、GB 25501-2019

产品型号：见包装箱上的标签

产品名称：见包装箱上的标签

生产日期：见包装箱上的标签

组装工厂：东陶（大连）有限公司

电 话： (0411) 87624383

厂 址：大连经济技术开发区东北二街17号

东陶(中国)有限公司

全国售后服务电话：800-820-9787(固定电话)

400-820-9787(手机用户)

销售商：东陶(中国)有限公司

地 址：北京市朝阳区光华路1号 北京嘉里中心北楼1915室

网 址：www.toto.com.cn

# Contents

---

## Contents

Contents.....	1
Detailed list.....	2
Service condition and attentions in construction .....	3
Attentions in construction and maintenance .....	4
Installation completion figure .....	5-9
Water nozzle installation .....	10-15
Manufacturer and vendor.....	16

# Detailed list

---

## Detailed list

Main body of water tap .....	1 set
Handle part .....	1 set
Water drainage fittings.....	1 set
Instructions for construction .....	1 copy
Instructions for operation.....	1 copy

The products using this detailed list include:



- DL369\* Copper alloy desk type single-handle double-control wash basin water faucet (including water drainage accessories)
- DL369-1\* Copper alloy desk type single-handle double-control wash basin water faucet (including water drainage accessories)
- DL369-2\* Copper alloy desk type single-handle double-control wash basin water faucet (including water drainage accessories)
- DL370\* Copper alloy desk type single-handle double-control wash basin water faucet (including water drainage accessories)
- DL370-1\* Copper alloy desk type single-handle double-control wash basin water faucet (including water drainage accessories)

## Service condition and attentions in construction

### Use condition

1. Cold water supply\*hot water supply pressure  
Minimum pressure ..... 0.05MPa (flow pressure)  
Maximum pressure ..... 1.0MPa (static pressure)
2. The temperature for water supply is 4~90°C. It is suggested to use the hot water temperature of 60±5°C, Do not use steam to supply hot water.
3. The ambient temperature for use is above 0°C. If not, the water tap may deform and crack due to freezing.
4. Being out of use for a long time may result in internal and external rust to the water nozzle and being unable to be used.
5. If you want to scrap this product, do not treat it as you do for general domestic garbage. Please follow relevant statutes to have it treated, recovered and collected appropriately by an independent recovery system.
6. The product in these instructions has a cleaning function.

### Attentions in construction

-  **Warning:** it means that ignoring this mark and misoperation may cause serious personal injury and death.
-  **Attention:** it means that ignoring this mark and misoperation may cause personal injury or property loss.

### Warning

1. The hot water supply side of the water nozzle is in a condition of high temperature. Do not allow skin to contact with the hardware surface directly. Otherwise, scalding may happen.
2. Do not reverse cold\*hot water pipes. Otherwise, scalding may occur.
3. Do not use steam to supply hot water. Otherwise, scalding may occur.
4. If a customer fails to use the self-contained water inlet filter net of our water faucet, there is such a risk as water leakage or damage due to foreign matters entering into the spool.

## Attentions in construction and maintenance

### Attentions

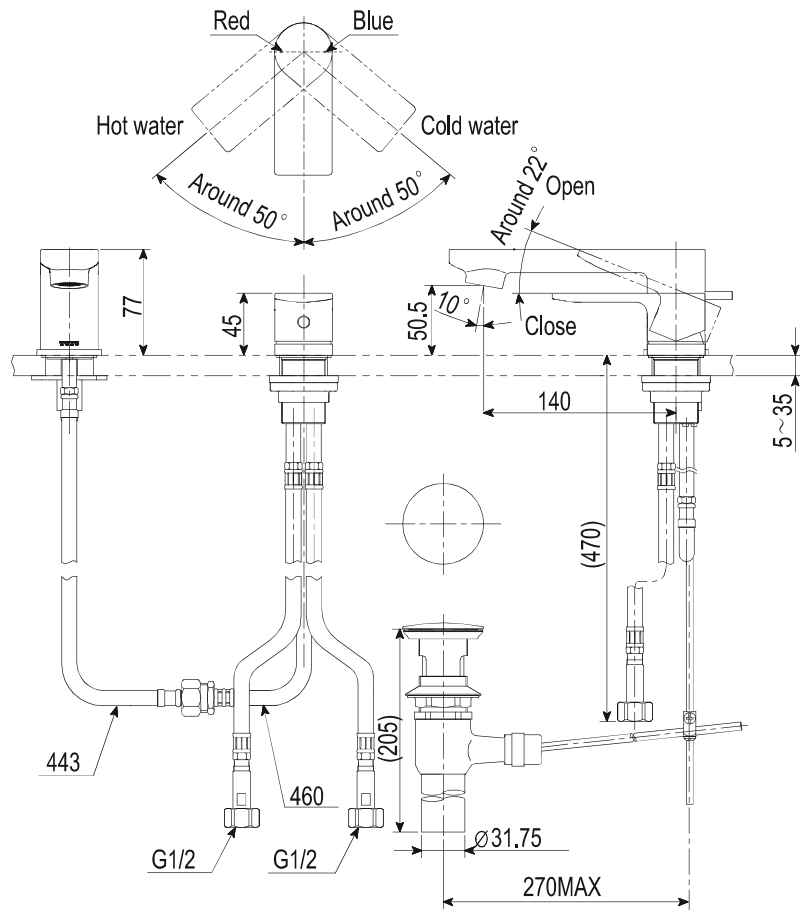
1. As the ceramic spool is precise component, do not dismantle it without authorization. Otherwise, such poor conditions as water leakage, etc may be caused.
2. Do not impact the product. Otherwise, failure, water leakage may occur.
3. It is imperative to use a neutral detergent in cleaning. Other detergents than a neutral one may damage the plating coat or make the surface discolor.
4. Do not use any such detergent as acidic detergent and abstergent, polishing powder, etc. containing thick particles and nylon brush. Otherwise, the plating coat may be damaged, etc.
5. It is allowed to use a piece of soft cloth to wipe or use from time to time a piece of cloth immersed in machine oil or vehicle wax to wipe. However, do not contact with resin components. Otherwise, they may lose the gloss and become rusty.
6. It is suggested not to leave it unused for a long time. Otherwise, this may lead to internal and external rust to water nozzle to such a degree that it cannot be used any more, etc.
7. With the product design being updated constantly, the physical object may not coincide with the figure. However, the basic principle for installation, use is the same.

### Maintenance

- To maintain a beautiful appearance of the product, the user is requested to conduct maintenance and care in the following method.
1. Wipe with a piece of soft cloth frequently and use a piece of soft cloth dipped in water to wipe from time to time.
  2. When dirt exists obviously, please use water to wash sufficiently after wiping with a neutral detergent.

# Installation completion figure

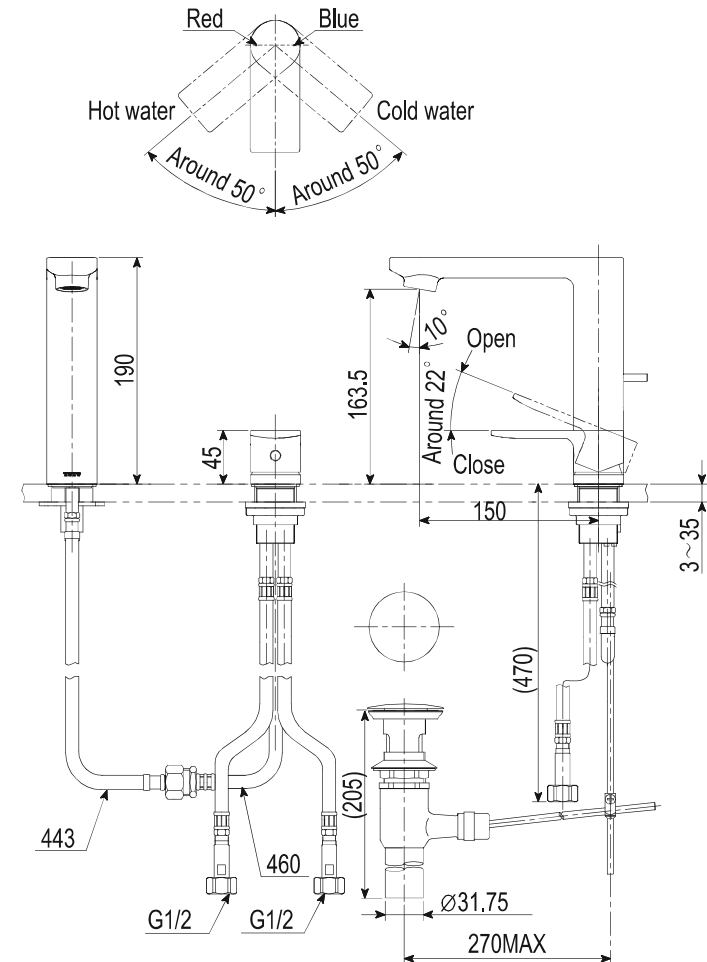
DL369\* Copper alloy desk type single-handle double-control wash basin water faucet (including water drainage accessories)



Note: The above dimensional unit is mm.  
The dimensions in ( ) are reference ones.

# Installation completion figure

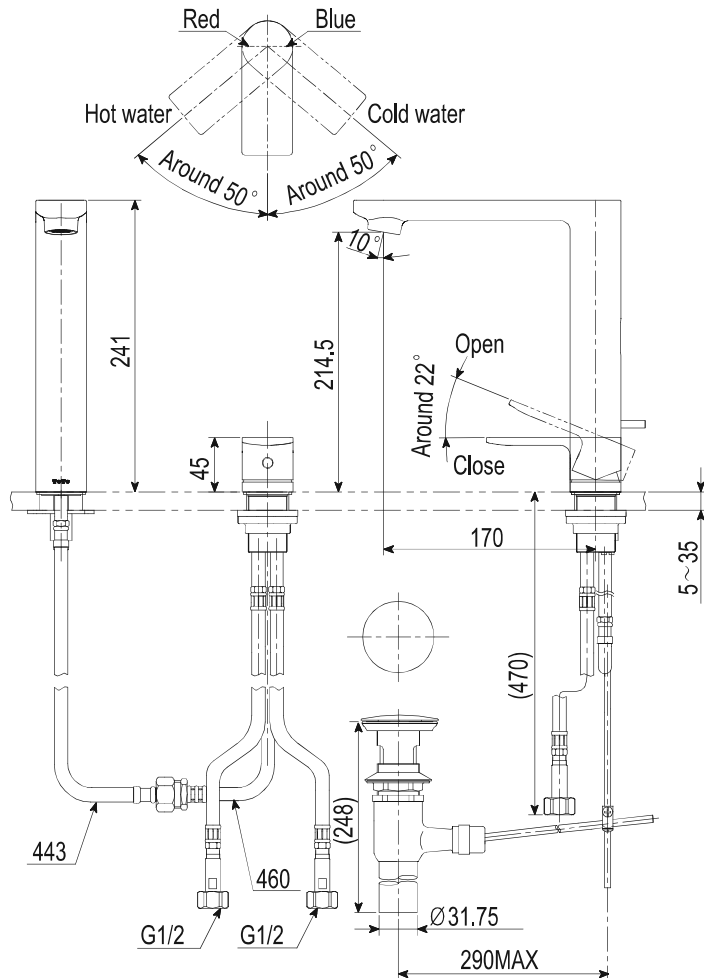
DL369-1\* Copper alloy desk type single-handle double-control wash basin water faucet (including water drainage accessories)



Note: The above dimensional unit is mm.  
The dimensions in ( ) are reference ones.

# Installation completion figure

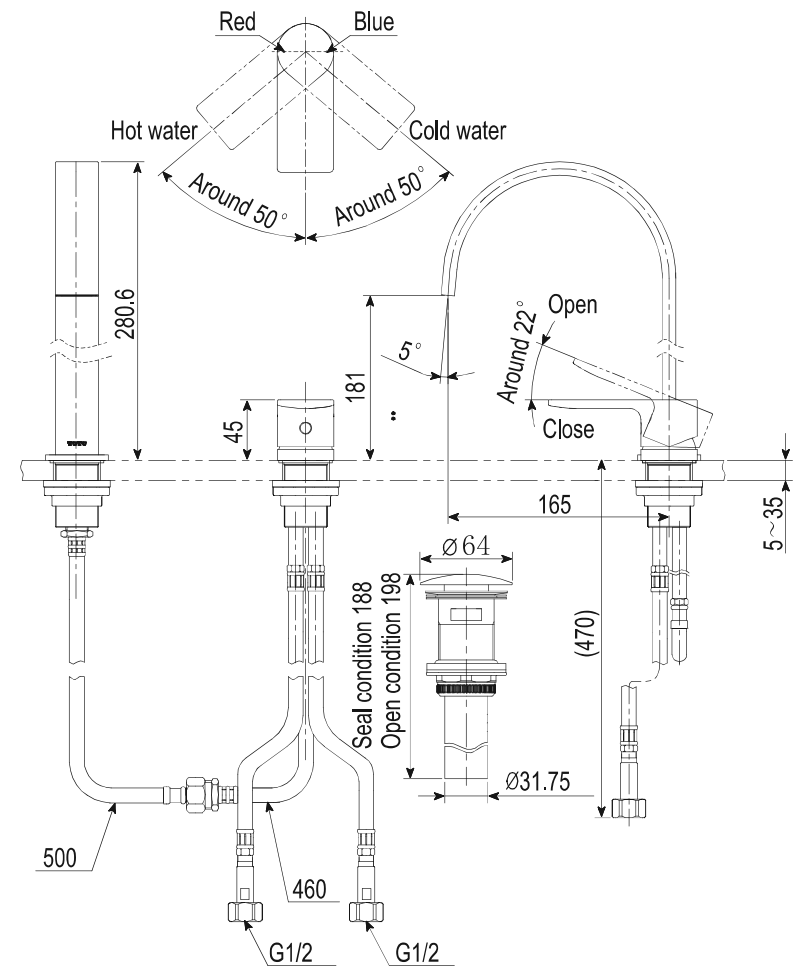
DL369-2\* Copper alloy desk type single-handle double-control wash basin water faucet (including water drainage accessories)



Note: The above dimensional unit is mm.  
The dimensions in ( ) are reference ones.

# Installation completion figure

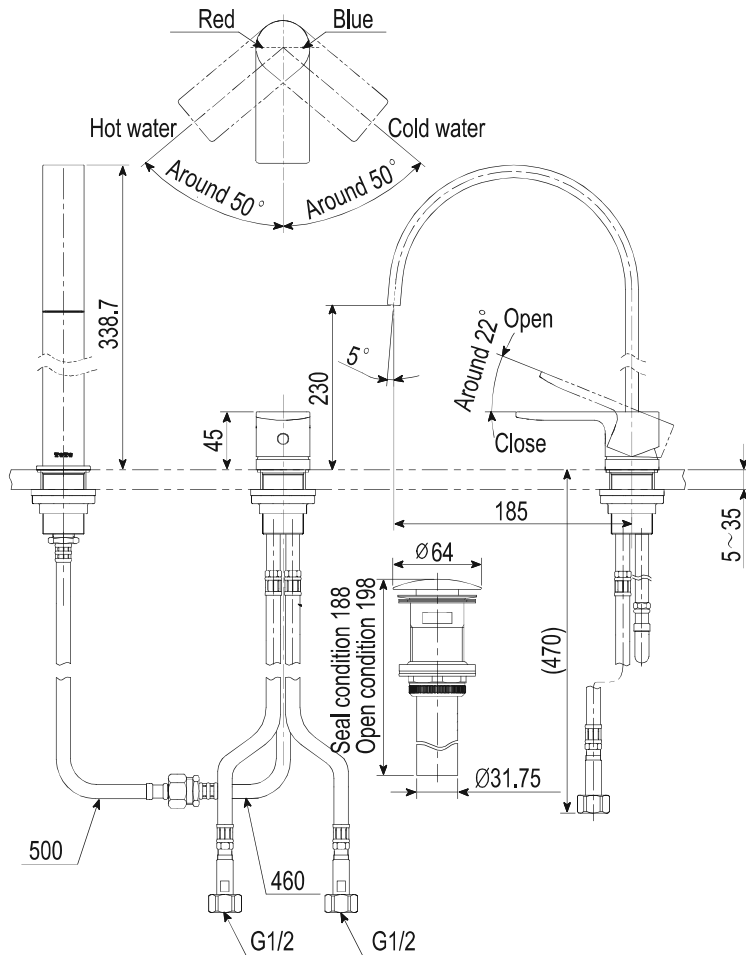
DL370\* Copper alloy desk type single-handle double-control wash basin water faucet (including water drainage accessories)



Note: The above dimensional unit is mm.  
The dimensions in ( ) are reference ones.

# Installation completion figure

DL370-1\* Copper alloy desk type single-handle double-control wash basin water faucet (including water drainage accessories)



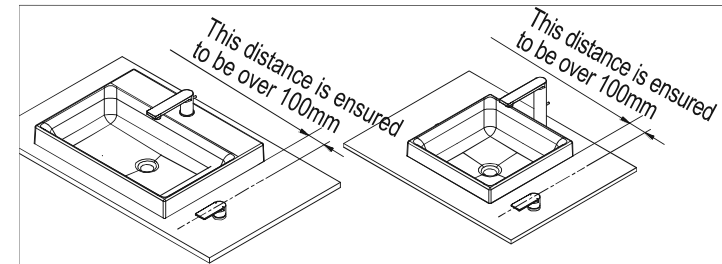
Note: The above dimensional unit is mm.  
The dimensions in ( ) are reference ones.

# Water nozzle installation

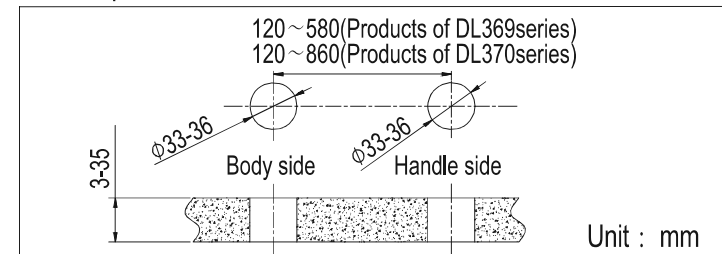
1. Cleaning the internal part of the water supply pipe  
Before installation, be sure to wash away such foreign matters as dust, sand, etc. in the water supply pipe.

2. Water nozzle installation

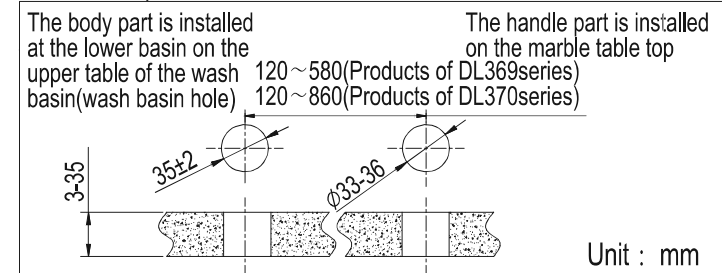
① The body part is installed on the wash basin. Then handle part is installed on the marble table top. The distance from the hole-center on the table top on which the handle part is installed to the wash basin edge is over 100mm.



②-1 Hole dimensioning when both the body part and handle part are installed on the marble table top.

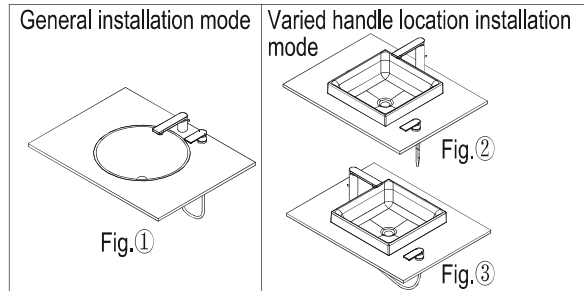


②-2 The body part is installed on the single-hole wash basin. The hole is dimensioned when the handle part is installed on the marble table top. This installation mode is only limited to the two product versions of DL369 and DL370.



# Water nozzle installation

## ③ Installation mode



When installed on marble table top, the installation of the products of this series is free. As shown in Fig. ①: The handle part and body part can be installed on marble table top in parallel. For the installation in this state, center-to-center distance between the installation table top holes should be ensured at 120mm.

As shown in Figures ② and ③: The handle part and body part can be installed on marble table top at free locations. Due to being restricted by the pressure-resistant pipe length for the installation in this state, the center-to-center between the holes of the handle part and body part of DL369 series is to be ensured within 580mm, and the center-to-center between the holes of the handle part and body part of DL370 series is to be ensured within 860mm; for the two products of DL369 and DL370, if the water outlet body part is installed on the wash basin, the distance from the hole of the handle part to the hole of the wash basin is also to be ensured according to what is mentioned above.

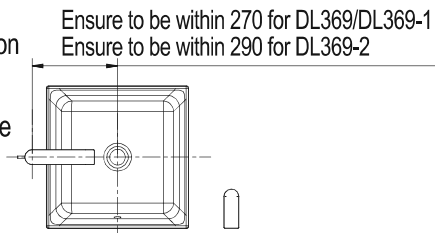
Attentions:

1. Refer to the completion diagram for the installation length of the hose. Due to being different in installation mode, insufficient water inlet pipe length may occur when customers do installation. In this circumstance, a customer can purchase the hose available on market and connect it between the water inlet pipe and water stop valve. Pay attention to Figures ② and ③ in particular.

2. When DL369, DL370 are installed on marble table top, the use of the pedestal of the body part will be determined by customers. If this pedestal is not to be used, just discard it.

3. If the pedestal is to be discarded for DL370 body part, customers are requested to affix foam gasket on the body part to prevent water from penetrating into the table top. (DL370 has foaming gasket).

4. Here are the attentions for the water drainage hardware of DL369 series products. The installation distance between the body part and the water drainage hole of the wash basin is restricted by the backlash drawbar length of the water drainage hardware. If the distance is too long, the water drainage hardware is unable to operate. Please refer to the right diagram in installation.

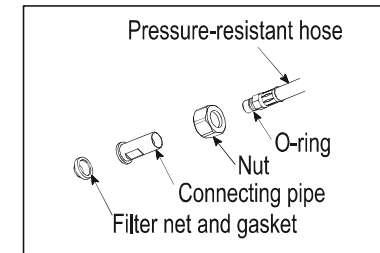


# Water nozzle installation

## 3. Handle part installation

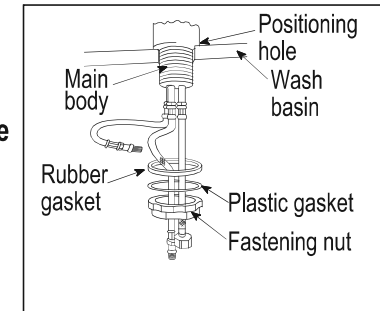
① As shown in the right figure, unscrew the connecting components at the lower end of cold and hot water supply pipes (including nut, rubber gasket, connecting pipe)

⚠ **Attentions: Do not damage the O-ring when disassembling.**



② As shown in the right figure, adjust the direction of the water nozzle handle part and use fastening nut to fix it onto marble table top.

⚠ **Attentions: Installation is as shown in the right figure. Put the rubber gasket, plastic gasket and fastening nut on the pressure-resistant hose in proper order and then bend the remaining two pressure-resistant hoses for installation in it.**

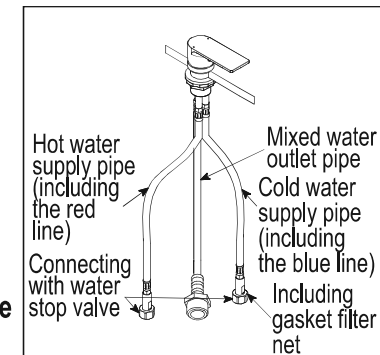


③ As shown in the right figure, install back the removed connecting parts at the lower end of cold and hot water supply pipes.

⚠ **Attentions: Be sure to screw tight both water supply pipe and connecting pipe sufficiently to prevent water leakage from the O-ring location in the right figure.**

④ Connect the cold, hot water inlet pipes to the water supply valve.

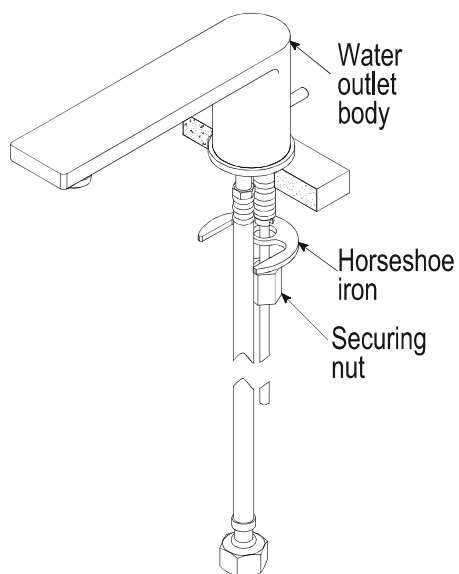
⚠ **Attentions: Do not connect wrongly the cold and hot water pipes. In installation, do not cause removal damage to or tension the pressure-resistant hose to avoid damaging the connecting location of the pressure-resistant hose and resulting in water leakage. Besides, water leakage can also occur if the water stop valve quality is not good.**



# Water nozzle installation

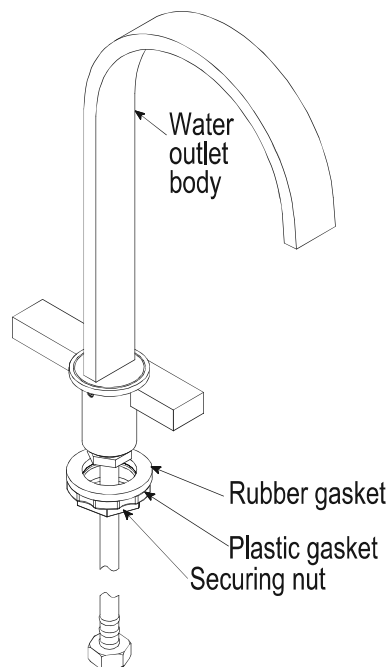
## 4. Water outlet part installation DL369 series

- ① As shown in the figure, remove the securing nut and horseshoe iron under the body;
- ② Adjust the direction of body to make it achieve the desired installation mode;
- ③ Note sufficient tightening when installing the horseshoe iron and securing nut onto the body.



## DL370 series

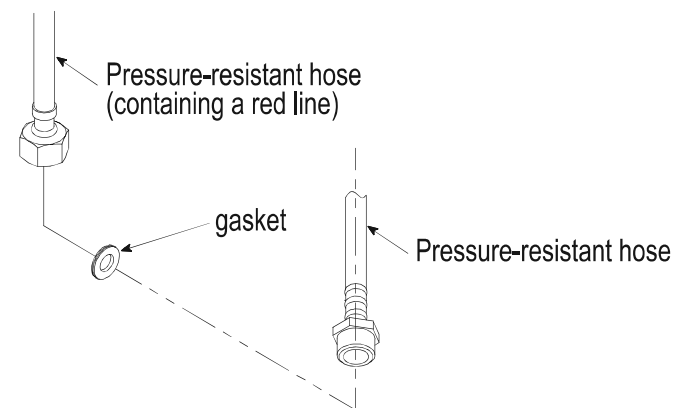
- ① As shown in the figure, remove the securing nut and washer under the body;
- ② Adjust the direction of the body to make it achieve the desired installation mode;
- ③ Note sufficient tightening when installing the gasket and securing nut onto the body.



# Water nozzle installation

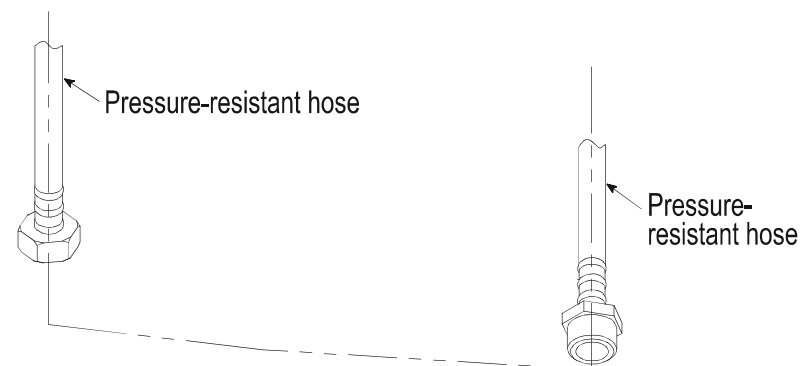
## 5. Pressure-resistant hose connection DL369 series

In connecting the DL369 series pressure-resistant hose, connect the mixed water outlet hose on the handle side with the hose on the water outlet side directly with gasket to be used in between for sealing.



## DL370 series

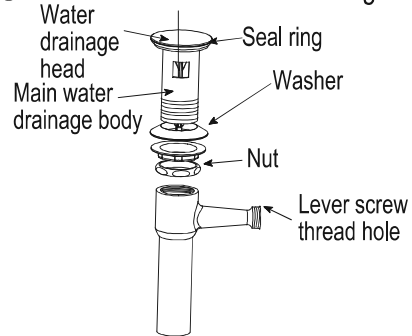
In connecting the DL370 series pressure-resistant hose, connect the mixed water outlet hose on the handle side with the hose on the water outlet side directly.





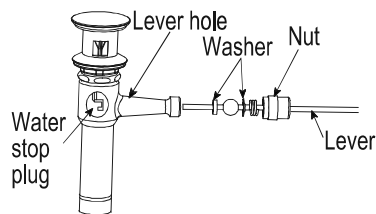
# Water Nozzle Installation

## ① Installation of main water drainage body



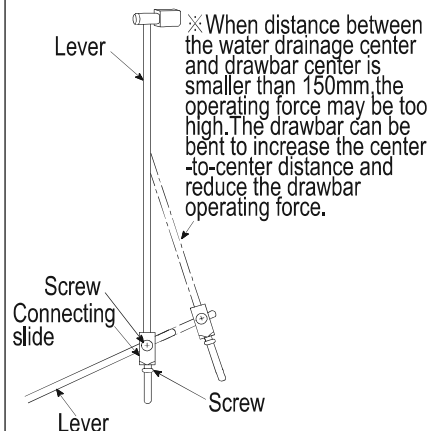
- Remove the water drainage head and seal surface from the main water drainage body.
- Then place the main water drainage body in from the underneath of wash basin.
- Combine on wash basin the water drainage head and seal ring onto the water drainage body.
- Adjust the direction of the installation lever screw thread hole to make it right opposite to wall. (If the body installation direction is special, the installation lever is adjusted therewith.)
- Screw the nut to a proper position to avoid damage to wash basin.

## ② Water drainage cock installation



- Please pay attention to the direction of the water stop plug.
- Insert the lever into the water stop plug hole through the lever hole and then screw tight the nut.

## ③ Draw bar installation



- As shown in the figure, first have the lever run through the connecting slide. Then use the connecting nut to fix the drawbar and connecting bar. Then adjust the position of the connecting slide to make the lever and water stop plug be at a proper position and fix with screw.
- If the water stop plug is unable to go up and down normally, customers are requested to adjust the position of the connecting slide on the connecting rod and lever themselves.

DL370 series are installed using press type water drainage fittings

- Remove the water drainage pipe and nut and gasket from the main water drainage body.
- Place the main water drainage body in from the upper side of the wash basin.
- Place the gasket in from the underneath and screw the nut to a proper position to avoid damage to the wash basin.
- Finally just screw tight the water drainage pipe.

# Manufacturer and vendor

Applicable standard: GB 18145-2014、GB 25501-2019

Product Model No.: See the label on the packaging case

Product name: See the label on the packaging case

Production date: See the label on the packaging case

Assembly factory: TOTO(Dalian)Co.,Ltd.

Telephone: (0411)87624383

Factory address: 17 Dong Bei Second Street, Economic & Technical

Development zone, Dalian

TOTO(China)Co.,Ltd.

After-sale service toll free telephone all over the country:

800-820-9787 (fixed telephone)

400-820-9787 (for mobile phone users)

Vendor: TOTO(China)Co.,Ltd.

Address: Room 1915, North Building of Beijing Jiali Center, No.1,

Guanghua Road, Chaoyang District, Beijing

Website: [www.toto.com.cn](http://www.toto.com.cn)