

TOTO

不锈钢台式单柄双控洗面器水嘴



TLP03301型·TLP03302型

为了充分发挥产品功能，请细读本安装说明书的内容，并正确地安装。安装后，务请向客户仔细地说明使用方法。

1. 安全上的注意事项（为了安全起见，请务必遵守）




安装前，务请细读本「安全上的注意事项」的内容，并正确地安装。

- 为了安全、正确的使用产品，防止给您或者他人的人身及财产安全造成损失，此说明书采用了许多标志。各标志与含义如下：

	警告	这一标志表示如果无视该标志栏的内容，进行错误操作的话，可能导致人员的死亡或重伤的。
	注意	这一标志表示如果无视该标志栏的内容，进行错误操作的话，可能导致人员伤害或物品损失。

- 需遵守的内容通过以下标志加以区分、说明。

	表示不可行，“禁止”之意。 左图表示“禁止拆解”。
	表示必须“强制”实行的内容。 左图表示“必须实行”。

 警告	
	冷热水管请勿装反 否则可能因使用冷水时吐热水而造成烫伤。
	供热水温度不得超过90℃，建议供热水温度为60℃。供热水管请勿使用蒸汽。 否则可能会造成产品使用寿命缩短、损坏、烫伤以及因发生漏水而造成弄湿家具等财产损失。
	除了本说明书内所记载的项目以外，禁止拆解 否则可能造成产品破损、烫伤·受伤，以及由于漏水造成家庭财产污损。

2. 规格

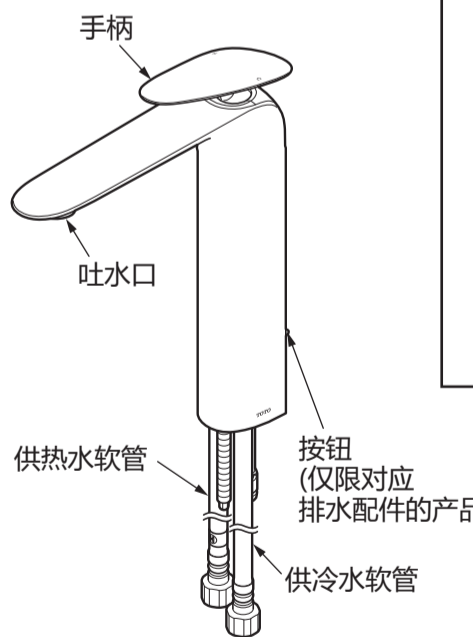
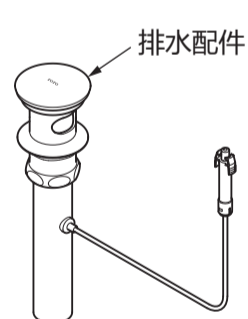

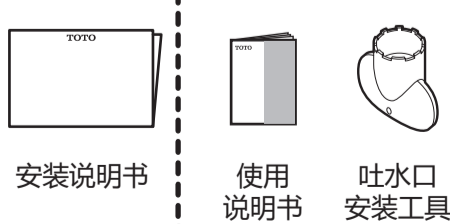
供冷水·供热水压力	最低水压	0.05 MPa (流动压)
	最高水压	1.0 MPa (静压)
	推荐使用压力	0.1~0.5 MPa (流动压)
供水温度	4~90℃, 建议供热水温度60℃.	
使用环境温度	1~40℃	
用途	普通家庭用	
吐水流量	5.0升/分钟 内置定流量阀	
水效等级	1级	

3. 安装前须知

- 为确保正常使用，冷水供水压力必须高于或等于热水供水压力。如果必须给热水侧加压时，热水侧压力必须低于冷水水压。
- 为了减少热水供给设备到产品间的管道阻力，请实行最短距离的排管。水管必须包裹保温材料。
- 使用燃气热水器供热时，因燃气热水器使用条件、供冷水压力的不同，可能会发生燃气热水器不能点火的情况。
- 为了易于进行水势的调节和器具的检查，务必另行准备进水角阀。
- 包装产品之前，因执行通水试验，可能会在产品内部留有残水，但是产品性能上毫无问题。
- 安装进水角阀后，请务必冲洗干净供冷水管和供热水管内的垃圾。否则可能因垃圾堵塞导致吐水量减少或吐水状态紊乱。

4. 零件的确认

务请确认有无下列零件。

水龙头主体	排水配件(仅限对应排水配件的产品)
 <p>手柄 吐水口 供热水软管 按钮 (仅限对应排水配件的产品) 供冷水软管</p>	 <p>排水配件 滤网式密封圈</p>
附属品	其他
 <p>安装配件 弹簧垫圈 螺母</p>	<div style="border: 1px dashed black; padding: 5px;"> <p>务必交给客户</p>  <p>安装说明书 使用说明书 吐水口安装工具</p> </div>

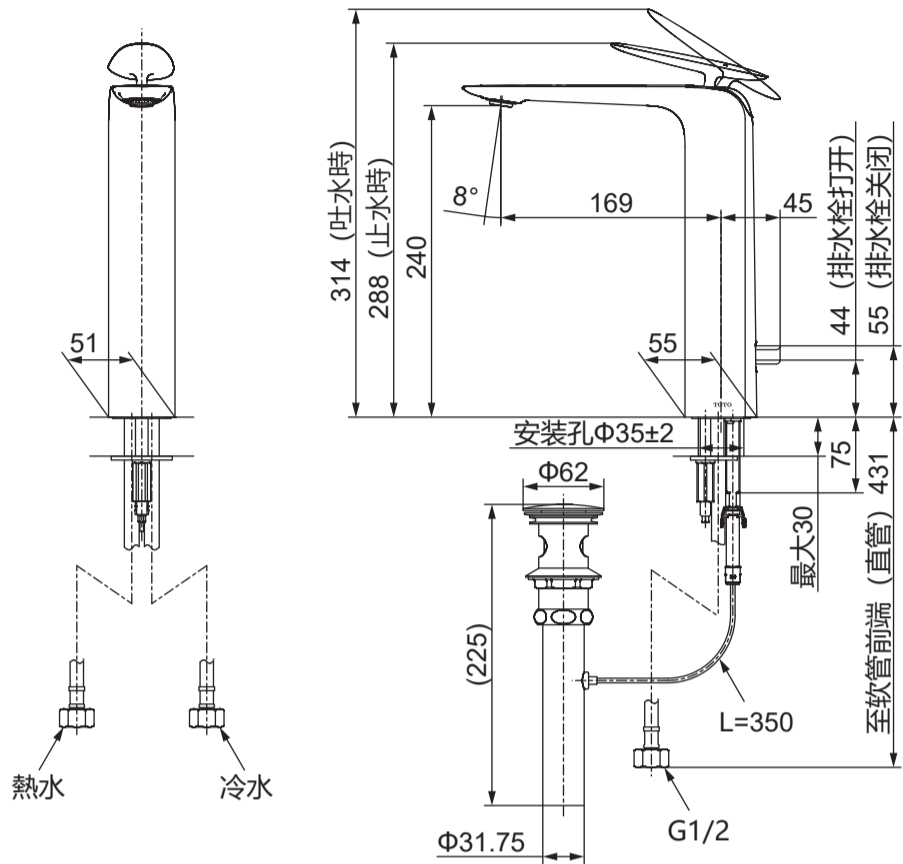
※根据产品型号，图片与实物可能稍有差异。

接下页

5. 完成图

※因产品型号不同，图片与实物可能稍有差异。

(单位：mm)



6-1. 安装步骤

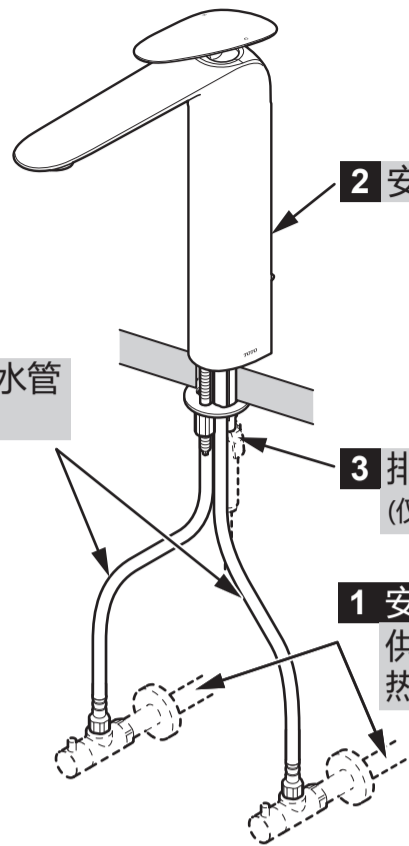
5 水嘴安装后的通水确认

4 供冷水管和供热水管的连接

2 安装水龙头主体

3 排水配件的连接
(仅限排水配件产品)

1 安装前
供冷水管和供热水管内部的清扫



1 安装前，供冷水管和供热水管内部的清扫

安装水龙头前应安装进水角阀
然后请务必冲洗干净供冷水管和供热水管内的垃圾或沙土等。

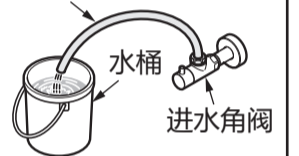
重要

注意

否则因供冷水管和供热水管内的垃圾或沙土堵塞滤网而导致发生下列情况。

- ①吐水量少
- ②难以调节温度

市场销售的软管



先准备市场销售的软管和水桶等，再将该软管等连接到进水角阀，慢慢地打开进水角阀，以便冲洗供冷水管和供热水管内的垃圾或沙土等。

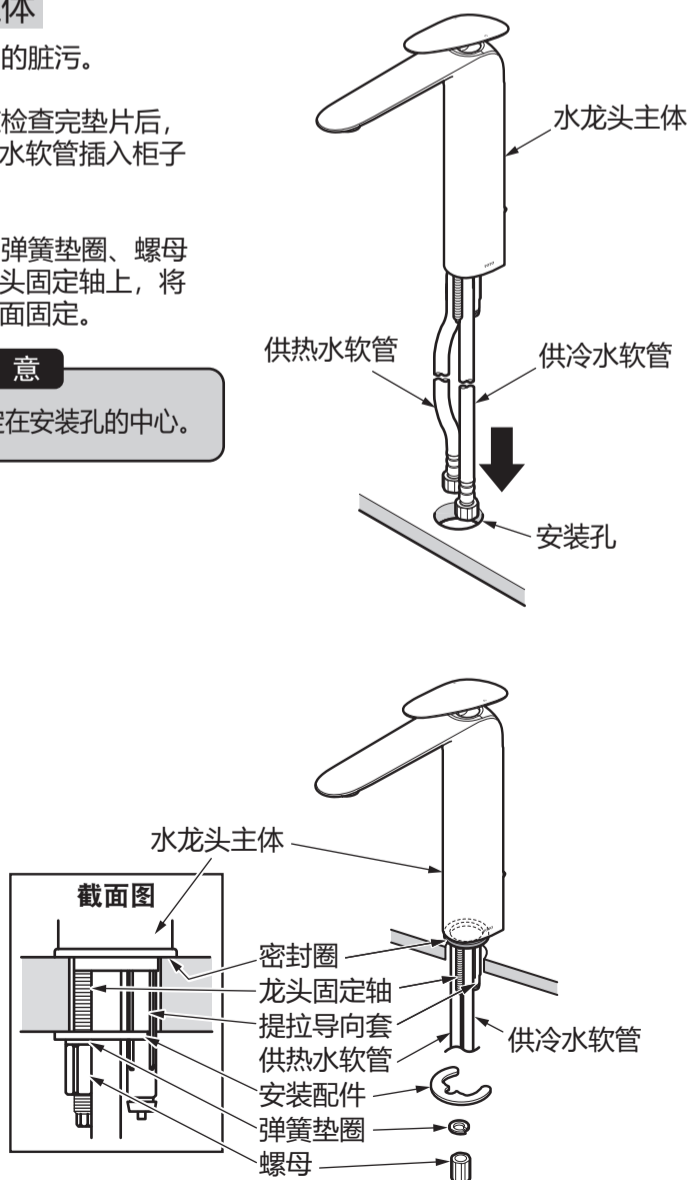
6-2.

2 安装水龙头主体

- ①清除安装孔周围的脏污。
- ②如下图所示，在检查完垫片后，请将供冷水、热水软管插入柜子的孔内。
- ③按照安装配件、弹簧垫圈、螺母的顺序安装到龙头固定轴上，将龙头主体面向正面固定。

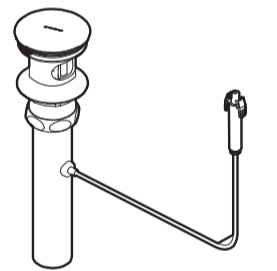
注意

请将龙头主体固定在安装孔的中心。

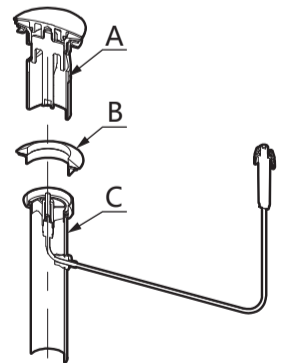


3 排水配件的安装 (示例)

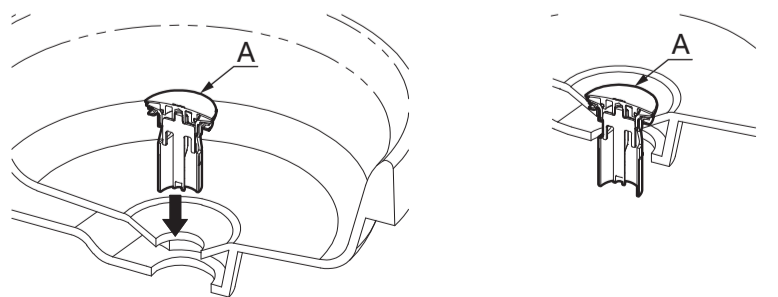
①排水配件的包装状态



②排水配件的分解
按照图示将排水配件拆卸分为A、B、C三部分。



③把A部分从洗面盆的排水口上方放入。

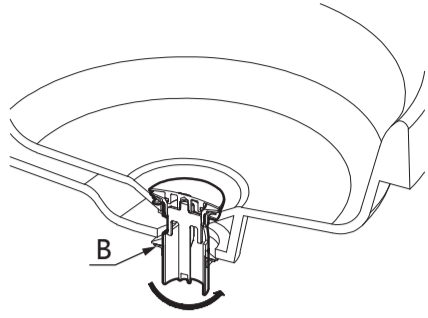


接下页

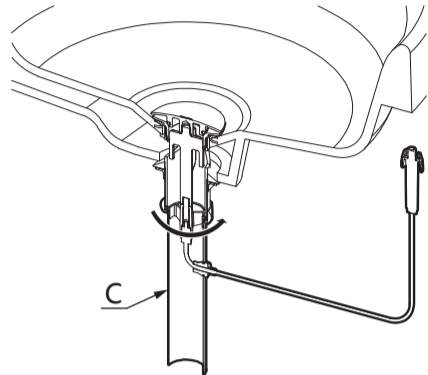
6-3.

④将B部分从洗面盆的排水口下方旋入A部，旋转螺母直到B部上端面和洗面盆紧密贴紧为止。

※B部中间的树脂垫片请勿疏漏。



⑤C部的螺母与A部下端螺纹对齐后，旋转C部螺母，直至拧紧。

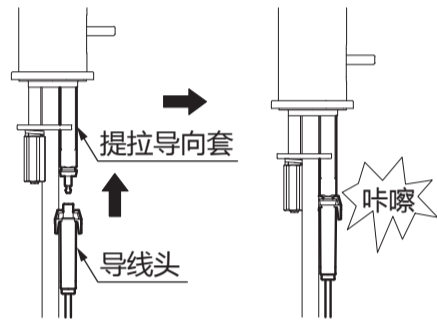


⑥连接部位的安装（如图所示）

- 客户将排水金具的导线头扣入提拉杆导向套底部即可。
- 听到咔嚓声为止。

注意

不要用力推，以免造成损坏现象。

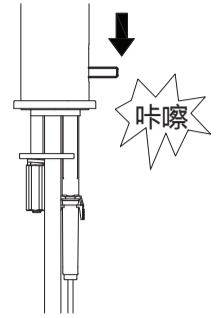


⑦按下拉杆捏手，听到咔嚓声为止。

※确认是否安装好：
按下拉杆捏手、面盖部弹起再次提拉杆捏手，面盖部关闭止水。

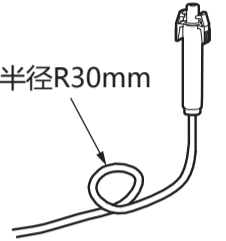
注意

不要用力推，以免造成损坏现象。



⑧※排水胶皮线的最小弯曲半径为R30mm。

最小弯曲半径R30mm



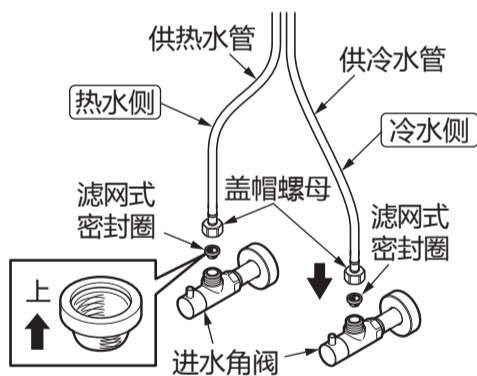
6-4.

4 供冷水管和供热水管的连接

将供冷水管和供热水管确实地固定在进水角阀上。

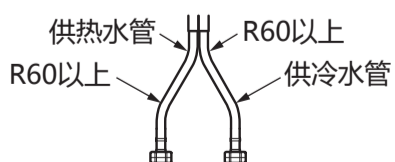
注意

- 为了防止使供冷水管和供热水管松开，确实地固定供冷水管和供热水管，直至旋紧为止。
- 注意滤网式密封圈的方向。



安装供冷水管和供热水管时的注意事项

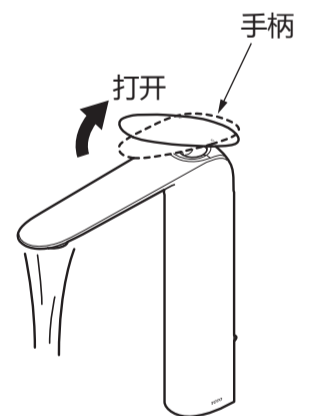
- 请注意避免用力过大弄弯管道而折断。
管道的最小弯曲半径为60mm。弯曲半径小于最小弯曲半径时，因供水管道过度弯折，可能导致流量不足或破损、漏水的现象发生。
- 请勿将供水管道在水嘴安装面处过度弯折。
- 供水管道长度不足时请勿强行安装。
否则管道可能会折断。
- 安装时请勿缠绕供水管。
外部加强层的磨损会导致供水管损伤，进而引起各项性能下降。



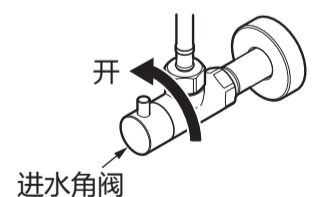
5 水嘴安装后的通水确认

吐水确认

安装结束后，打开管道总阀、水嘴，以确认吐水口是否正常吐水。同时请确认连接部件有无漏水。



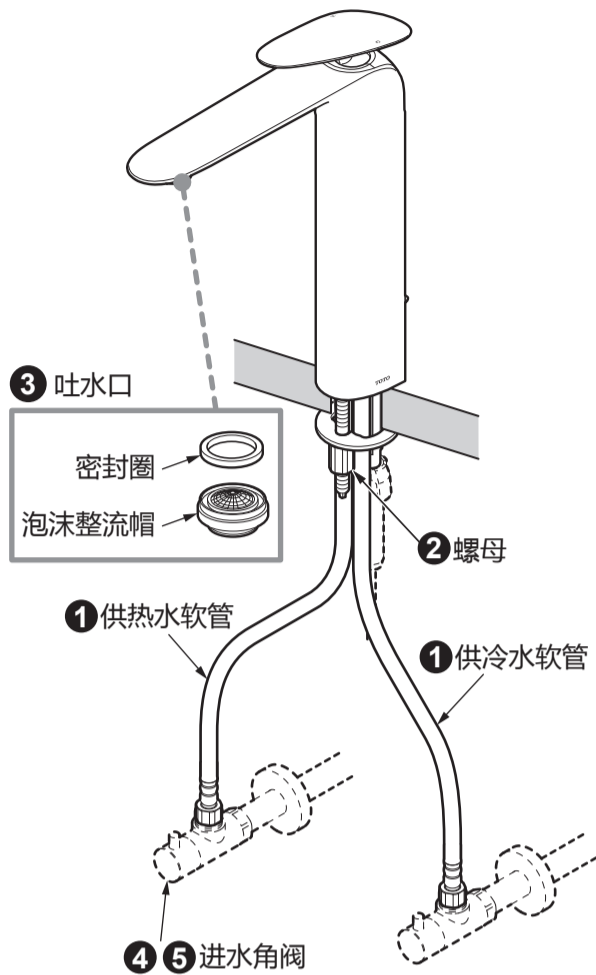
请在完全打开进水角阀的状态下使用。



接下页

7. 检查项目

安装结束后，请确认下列事项。



漏水检查

请检查是否漏水。

1 供冷水、热水软管与止水阀是否安装牢固？

↳ **6.4. - 4** 连接供冷水管·供热水管 参照

松动检查

请检查有无松动。

2 螺母有无松动？

↳ **6.2. - 2** 安装水龙头主体 参照

流量及吐水温度检查

流量过少或无法正常调节温度时，请确认以下项目。

2 吐水口有无垃圾堵塞？

↳ 清扫吐水口。

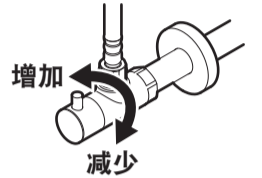


拆卸、安装吐水口时，请使用随附的吐水口开关工具。

4 止水阀是否打开？

4 水势是否过强？

↳ **6.4. - 5** 施工后的调节 参照



※请务必将包装箱内所附带的使用说明书等交给客户。

TOTO

Single Handle Faucet with Restroom Counter



TLP03301 • TLP03302

Install the product according to this Installation Manual so that the product fulfills its function. When the installation is over, fully explain how to use the single handle faucet to the customer.


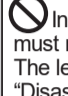

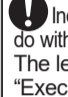
1. Safety Precautions (Be sure to follow all precautions for safety sake.)





Please read these Safety Precautions before installation work in order to install the product properly.

• This manual employs various indications in order to install the product properly and to prevent harm to the customer and other people, as well as damage to their properties. The indications and meanings are as follows:

 WARNING	This indication means that if the content in the column of this indication is ignored or handled wrongly, death or serious injury may occur.
 CAUTION	This indication means that if the content in the column of this indication is ignored or handled wrongly, injury or property damage may occur.

• The contents you must observe are classified into the following symbols; their meanings are explained.

	 Indicates things that you must not do as "Prohibited". The left figure indicates that "Disassembly is Prohibited".
	 Indicates things that you must do with out fail as "Mandatory". The left figure indicates to "Execute it without fail".

 WARNING	
	Do not connect the cold water pipe and the hot water pipe reversely. Even if you try to turn on the cold water, the hot water comes out and may scald you.
	Do not use supply water at a temperature higher than 90°C. If you use the water at a temperature higher than 90°C, the water may scald you and the life of the faucet may shorten causing it to break and leak water that may wet household articles and cause damage to your property.
	Do not disassemble or remodel the product with other items than what are described in this manual. Otherwise, the water may scald or injure you and the product may break and leak water that may wet household articles and cause damage to your property.

CAUTION



Do not subject the product to strong force or impact.

Otherwise, the product may break and leak water that may wet household articles and cause damage to your property.

Do not use the product in any place where freezing can be expected.

Otherwise, parts may break and leak water that may wet household articles and cause damage to your property.

2. Specifications

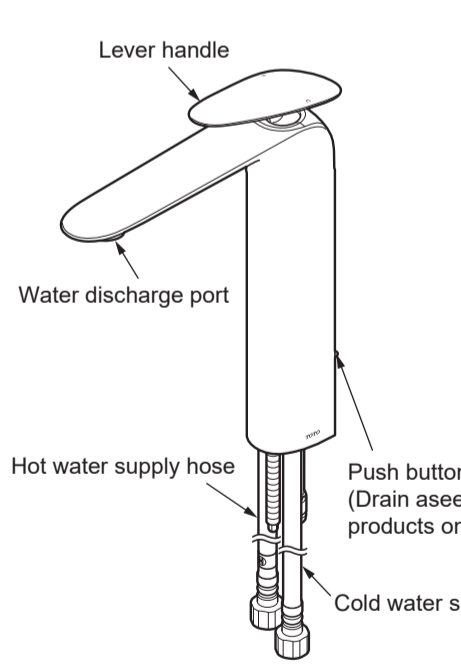
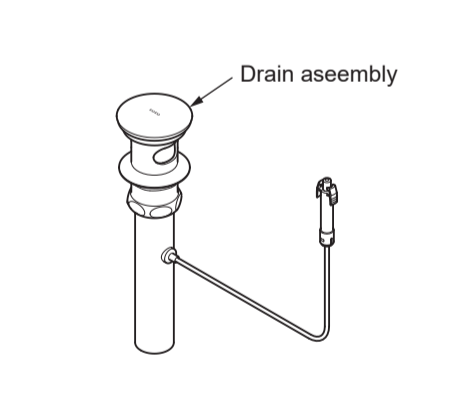



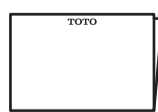


Cold / Hot water supply pressure	Minimum water pressure	0.05 MPa (Dynamic)
	Maximum water pressure	1.0 MPa (Static)
	Recommended water pressure	0.1~0.5 MPa (Dynamic)
Temperature water supply	4~90°C. Recommended hot water temperature 60°C	
Environmental temperature used	1~40°C	
Application	For bidet in general house	
Water discharge volume	5.0 L/min. constant flow valve incorporated	

3. Before Installation

- In order to prevent scalding due to erroneous operation, be sure to set the cold water supply pressure higher than the hot water supply pressure or set them to the same pressure. Even when applying pressure to the hot water side, be sure to set the hot water supply pressure side lower than the cold water side.
- Connect the hot-water supply pipe at a minimum length from the water heater in order to reduce resistance and be sure to wrap the water supply pipe with thermal insulation.
- In the case of an instantaneous hot-water heater, the water heater may not ignite according to the conditions such as performance and water pressure of the water heater.
- In order to facilitate water pressure adjustment and equipment checking, be sure to prepare a water shutoff valve separately.
- Since the flow is examined before packaging the product, some water may remain in the product, but nothing is wrong with the product.
- After the water shutoff valve is mounted, flush dirt in the cold-/hot-water supply pipes completely away. Otherwise, the inside of pipe may become clogged with debris, causing a reduction in water discharge volume or preventing water discharge.

4. Identification of Parts

Identify the following parts.

Faucet body	Drain assembly (Drain assembly products only)
 <p>Lever handle</p> <p>Water discharge port</p> <p>Hot water supply hose</p> <p>Push button (Drain assembly products only)</p> <p>Cold water supply hose</p>	 <p>Drain assembly</p> <p>Packing with filter</p>
Accessories	Others
 Mounting metal  Spring washer  Nut	 Installation Manual  Operation Manual  Spout opening/closing tool <div style="border: 1px dashed black; padding: 5px; margin-top: 10px;"> <p>Hand it over to the customer without fail.</p> </div>

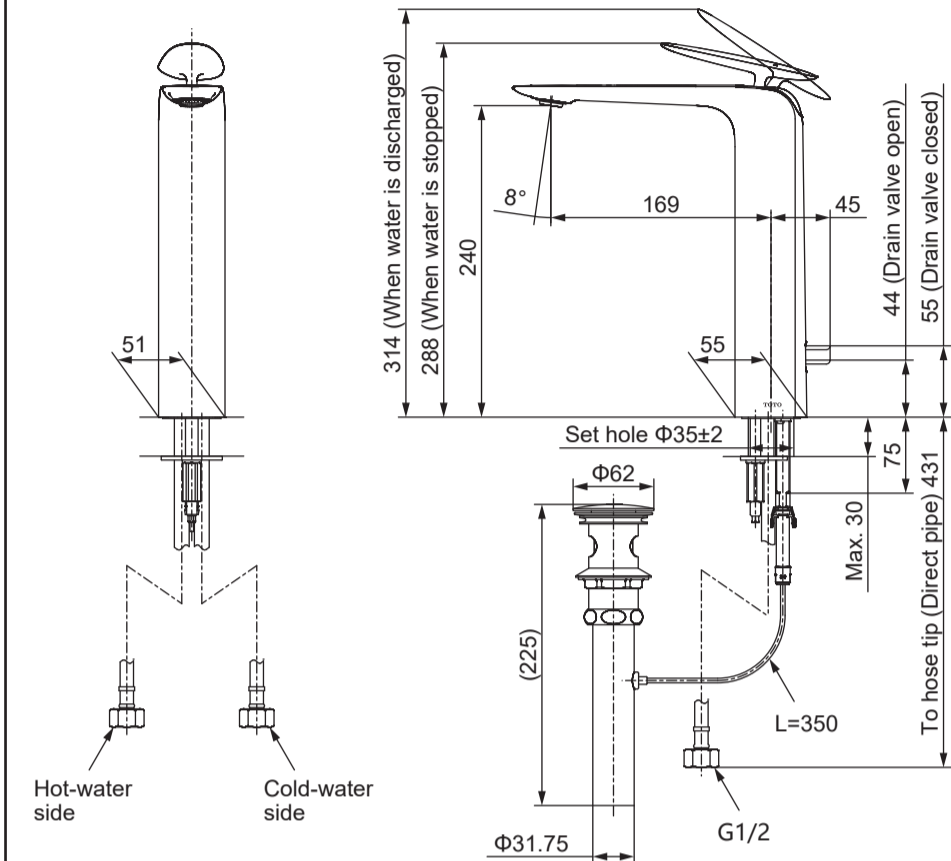
*The shape of the actual product may differ somewhat from drawings depending on the model number.

Continued on the back cover.

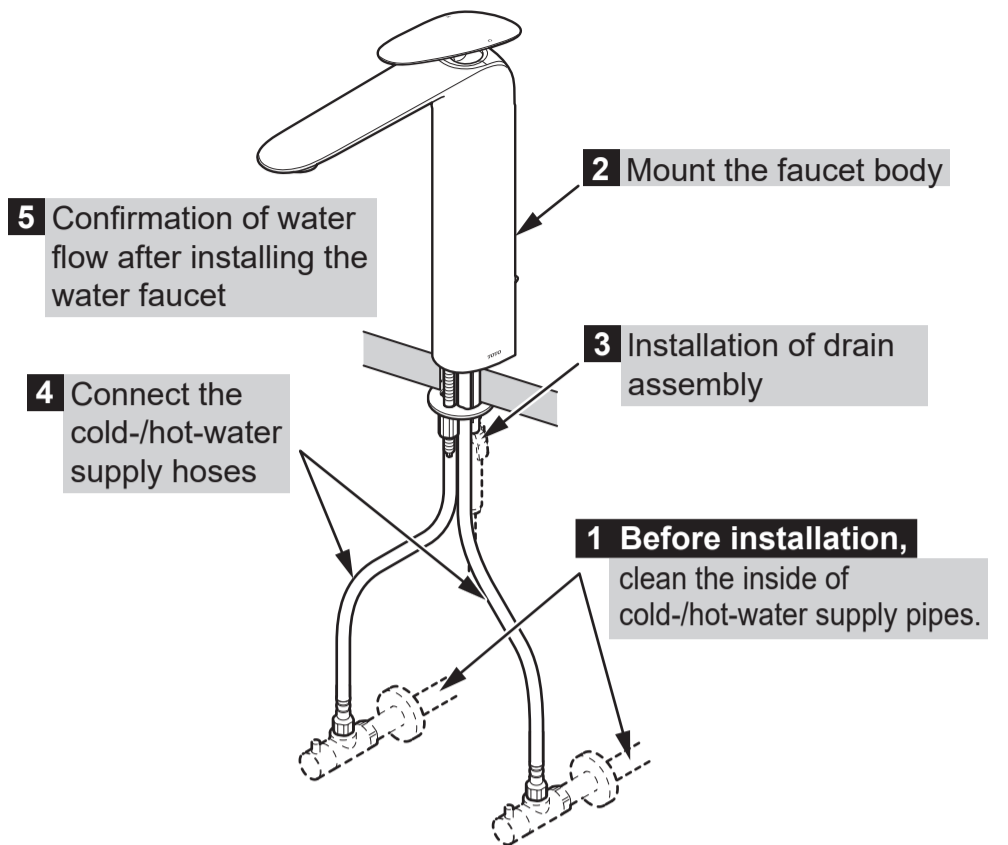
5. Completion Drawing

*The shape of the actual product may differ somewhat from drawings depending on the model number.

(Unit: mm)



6-1. Installation Procedure



1 Before installation, clean the inside of cold-/hot-water supply pipes.

Before mounting the water shutoff valve and water faucet.
Be sure to wash away dust and sand from inside the cold-/hot-water supply pipes.

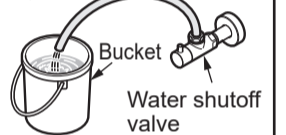
IMPORTANT

Cautions

If the insides of the cold-/hot-water supply pipes are not cleaned, dirt and sand in the cold-/hot-water supply pipes can clog the filter and cause the following trouble.

- (1) Little water volume is discharged.
- (2) The temperature cannot be adjusted well.

Commercially available flexible hose, etc.



Prepare a commercially available flexible hose and bucket, connect the commercially available flexible hose, etc. to the water shutoff valve, slowly open the water shutoff valve and wash away dust and sand from inside the cold-/hot-water supply pipes.

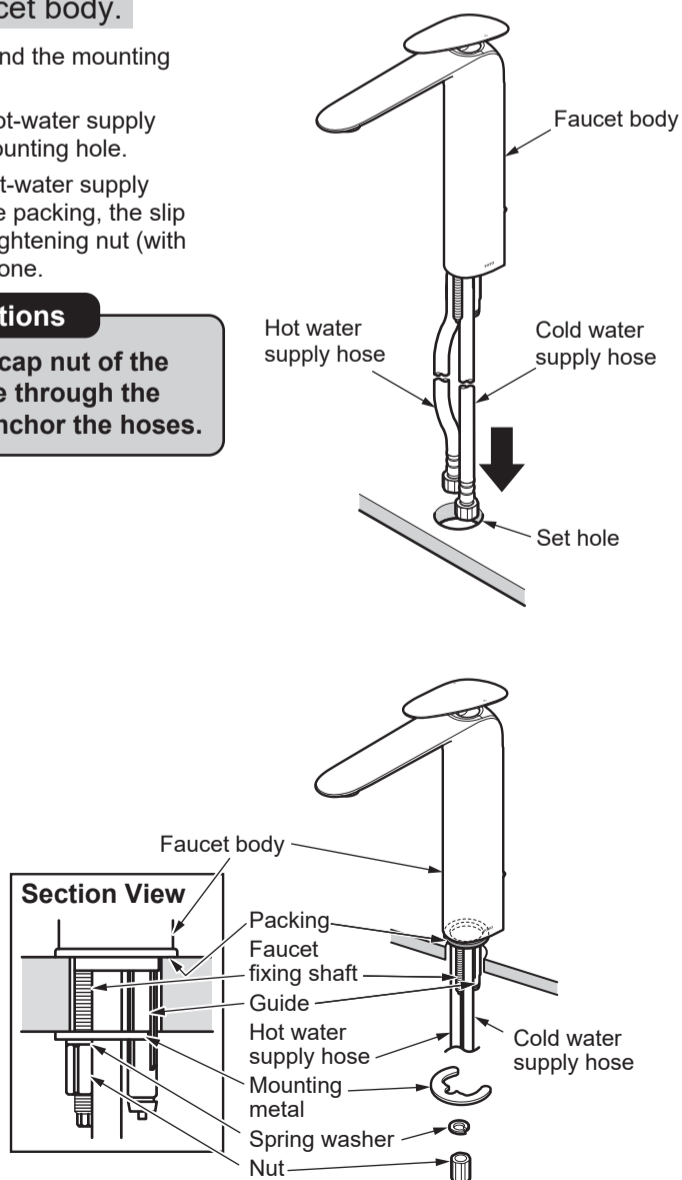
6-2.

2 Mount the faucet body.

1. Remove dirt around the mounting holes.
2. Insert the cold-/hot-water supply hoses into the mounting hole.
3. Pass the cold-/hot-water supply hoses through the packing, the slip washer and the tightening nut (with spill port) one by one.

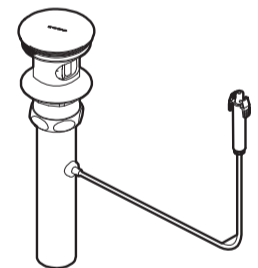
Cautions

Then, pass the cap nut of the connecting pipe through the spill port and anchor the hoses.

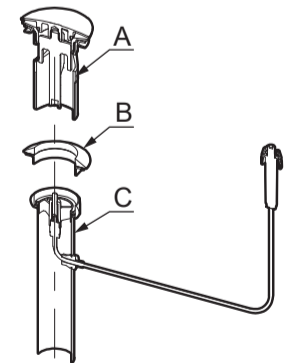


3 Installation of drain assembly (Example)

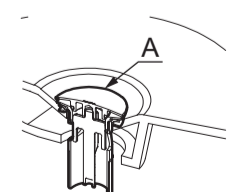
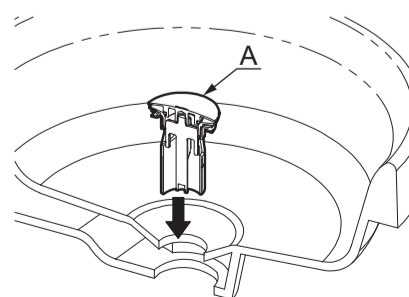
1. Package status of drain assembly.



2. Disassembling of drain Please disassemble the drain into Part A, B and C as shown in the figure.



3. Put Part A from above the drain port of the lavatory.

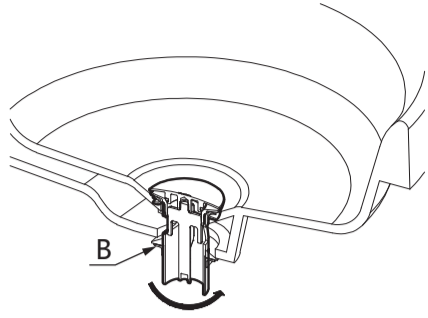


Continues on the next page.

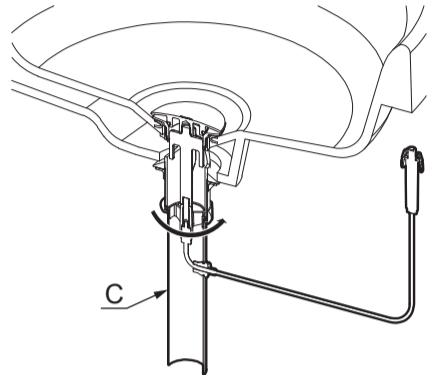
6-3.

4. Screw Part B from the bottom of the lavatory into Part A, turn the nut until the upper end of Part B is secured to the lavatory.

*Please don't forget the gasket in the middle of Part B.

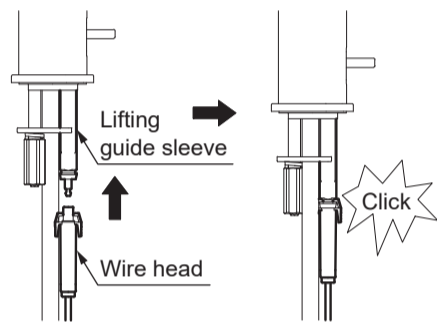


5. After the nut of Part C is aligned with the lower end thread of Part A, turn the nut in Part C until it is tightened.



6. Connecting part installation (as shown in the figure)

- User shall buckle the wire head of the drain assembly into the bottom of the lifting guide sleeve.
- Until it clicks.

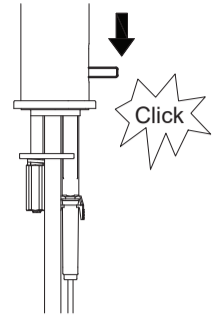


Cautions

Do not push it with force to avoid any damage.

7. Press the drain lift rod until it clicks.

*Check if it is well installed: Press the drain lift rod and the cover part will pop up, then pull the drain lift rod again and the cover part will closed to stop the water.

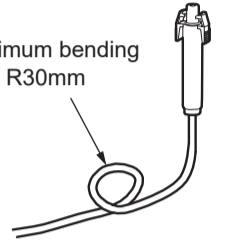


Cautions

Do not push it with force to avoid any damage.

8. *The minimum bending radius of the drain rubber wire is R30mm.

The minimum bending radius is R30mm



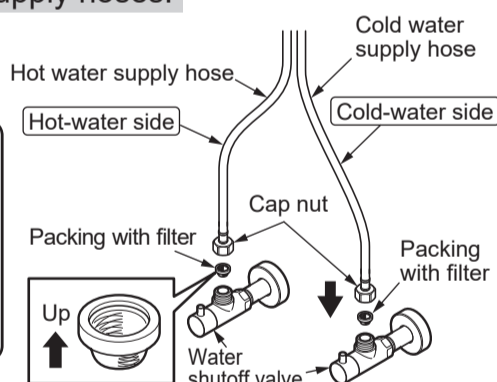
6-4.

4 Connect the cold-/hot-water supply hoses.

Connect the cold-/hot-water hoses surely with the water shutoff valves.

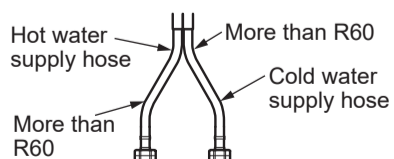
Cautions

- To prevent the cold-/hot-water supply hoses from drooping, anchor them so that they do not move.
- Pay attention to the direction of the packing with filter.



Cautions in the installation of the cold-/hot-water hoses

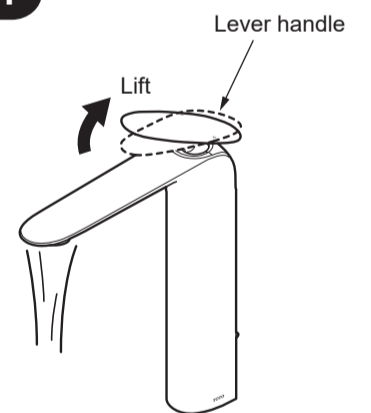
- Use care not to bend the hose with more force than necessary. The minimum bending radius is 60 mm. If the hose with a bending radius smaller than this, sufficient flowrate may not be obtained and the hose may break and leak water.
- Do not proceed with the installation work with a hose that is bent extremely from the end face of the faucet body.
- Do not pull the hose with undue force. Otherwise, the hose may bend.
- Avoid unnecessary contact with the hoses. Otherwise, the hose performance may deteriorate due to external damage to the external reinforcing layer caused by rubbing.



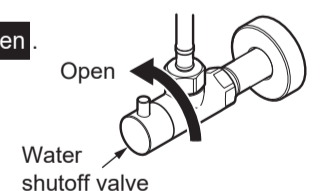
5 Confirmation of water flow after installing the water faucet

Turn-on water confirmation

After the completion of installation, open the main tap in the plumbing and confirm that water comes out from the spout. Also, check the hose connections and clearances for any water leakage.

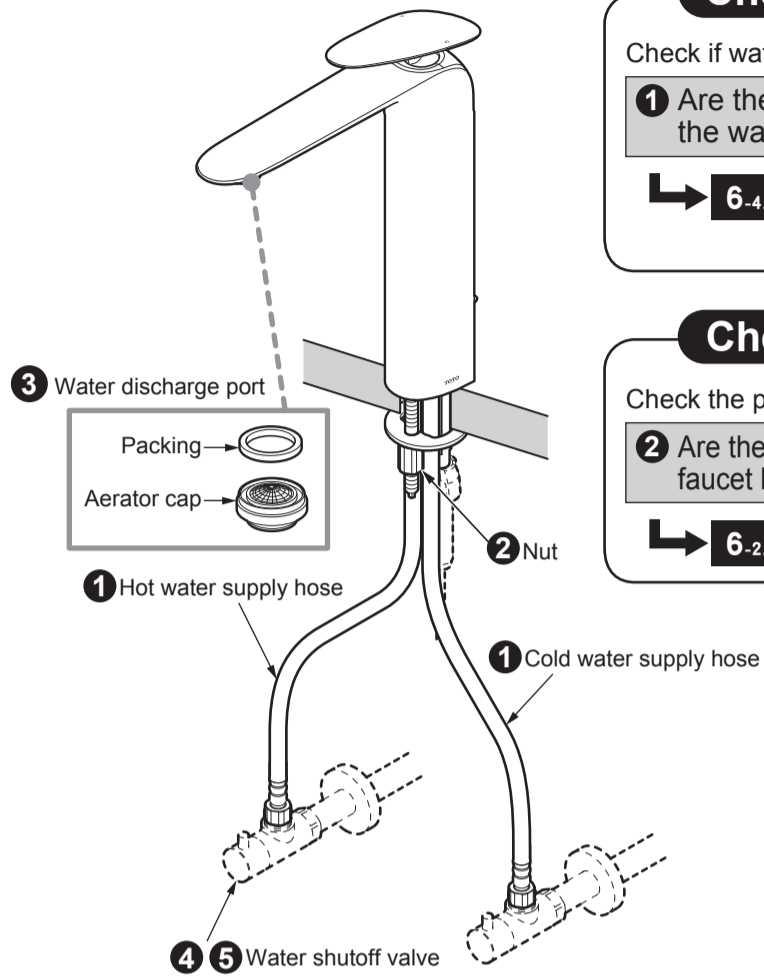


Use the product with the water shutoff valve fully open.



7. Checking Items

When the installation is over, check the following items.



Checking water leakage

Check if water leaks.

1 Are the cold-/hot-water supply hoses and the water shutoff valve mounted securely?

↳ **6-4.** — Refer to **4** Connect the cold-/hot-water hoses.

Checking for looseness

Check the product for looseness.

2 Are the tightening nuts of the whole water faucet body and the spout securely tightened?

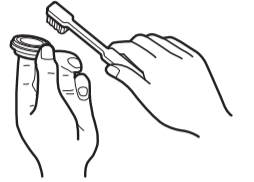
↳ **6-2.** — Refer to **2** Mount the faucet body.

Checking of the flowrate, water discharge condition and water discharge temperature

If only a little water flows from the faucet and the temperature cannot be adjusted well, check the following items.

2 Is the water discharge port clogged with dirt?

↳ Clean the water discharge port.

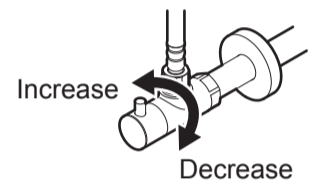


To remove and reinstall the spout, use the spout opening/closing tool supplied with the product.

4 Is the water shutoff valve open?

4 Is the water pressure too strong?

↳ **6-4.** — Refer to **5** Turn-on water confirmation.



* Hand the attached operation manual, etc. over to the customer without fail.