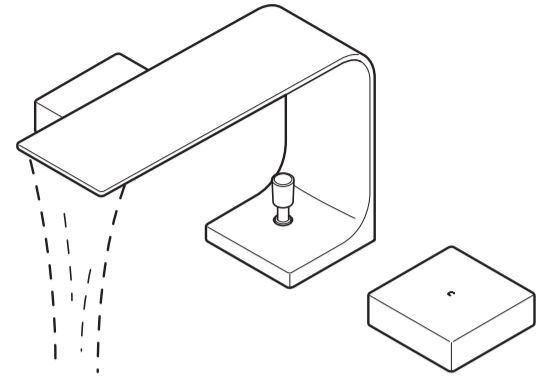


TOTO

CN 安装说明书
EN Installation Manual

CN 铜合金台式双柄双控洗面器水嘴
(含排水配件)

EN **Wide Spread Faucet**



TLP02201型
TLP02201 Type



CN ◆为了能够发挥产品功能，请细读本安装说明书的内容，并正确地安装。
安装后，请务必向客户仔细地说明使用方法。





EN ◆For best results, install the product correctly according to the instructions in this Installation Manual.
After installation, thoroughly explain how to use the product to the customer.




安全上的注意事项 (为了安全起见, 请务必遵守)





安装前, 务请细读本「安全上的注意事项」的内容, 并正确地安装。

- 为了安全、正确地使用产品, 防止给您或者他人的人身及财产安全造成损失, 此说明书采用了各种标志。各种标志与含义如下:

	警告	此标志表示无视此标志的内容进行操作的话, 可能导致人员死亡或重伤。
	注意	此标志表示无视此标志的内容进行操作的话, 可能导致人员伤害或物质财产损失。

		表示不可行, 「禁止」之意。 左图表示「禁止拆卸」。
		表示必须「强制」实行的内容。 左图表示「必须实行」。



 注 意	
	禁止 不要施加强力或冲击 否则可能会造成破损, 以及因发生漏水而造成的家具浸湿等财产损失。
	必须实行 请勿在室外或可能结冰的地方使用。 否则可能会造成破损, 以及因发生漏水而造成的家具浸湿等财产损失。





 警 告	
	禁止 冷热水管勿装反。 否则可能因使用冷水侧时吐热水而造成烫伤。 使用时, 供热水温度不得超过90°C. 建议供热水温度为60°C。供热水管请勿使用蒸汽。 否则可能会造成产品使用寿命缩短、易破损、烫伤, 以及由于漏水而造成的家庭财产污损。
	禁止拆解 非专业维修人员绝对不能进行说明书记载检修项目外的产品拆解、修理和改造。 否则, 可能因产品性能受损导致烫伤、受伤, 或因漏水而引起家具浸湿等财产损失。
	禁止碰触 使用高温热水时, 切勿直接碰触水嘴本体 处于高温状态的水嘴本体可能会造成烫伤




Safety Precautions (Be sure to follow all precautions for safety sake.)






Please read these Safety Precautions before installation work in order to install the product properly.

- This manual employs various indications in order to install the product properly and to prevent harm to the customer and other people, as well as damage to their properties. The indications and meanings are as follows:

	WARNING	This indication means that if the content in the column of this indication is ignored or handled wrongly, death or serious injury may occur.
	CAUTION	This indication means that if the content in the column of this indication is ignored or handled wrongly, injury or property damage may occur.

		Indicates things that you must not do as "Prohibited". The left figure indicates that "Disassembly is Prohibited".
		Indicates things that you must do without fail as "Mandatory". The left figure indicates to "Execute it without fail".

 CAUTION	
	Do not subject the product to strong force or impact. Otherwise, the product may break and leak water that may wet household articles and cause damage to your property.
	Do not use the product in any place where freezing can be expected. Otherwise, parts may break and leak water that may wet household articles and cause damage to your property.

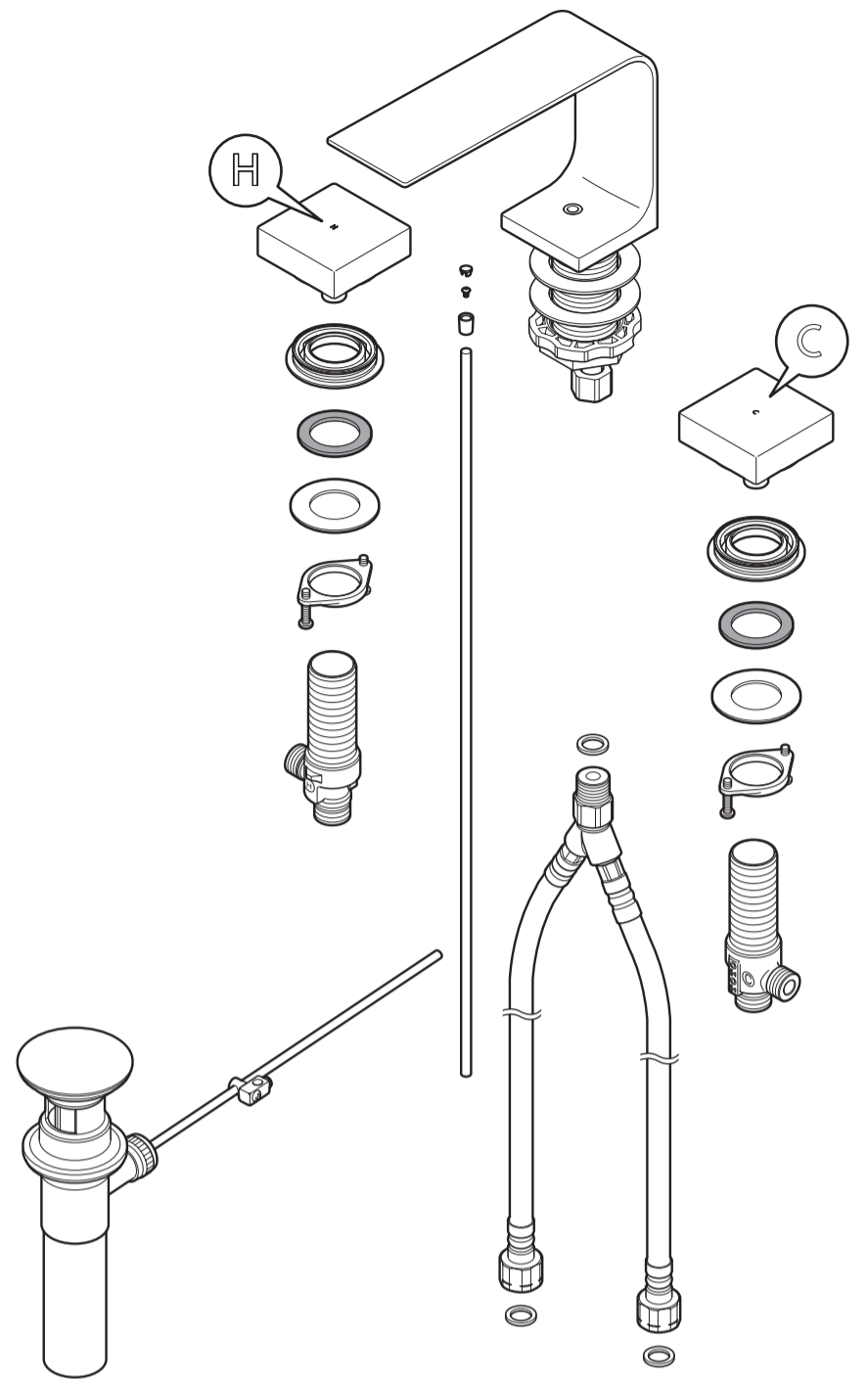
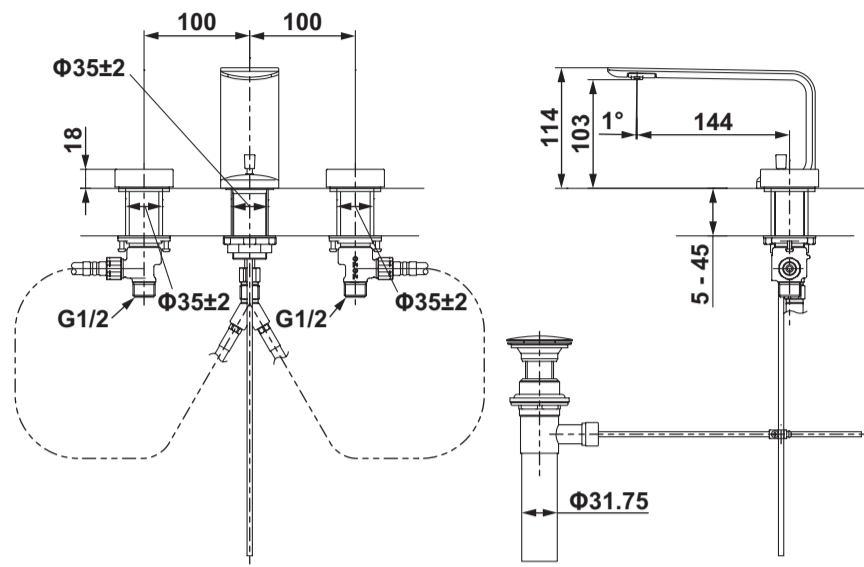
 WARNING	
	Do not connect the cold water pipe and the hot water pipe reversely. Even if you try to turn on the cold water, the hot water comes out and may scald you.
	Do not use supply water at a temperature higher than 90°C. If you use the water at a temperature higher than 90°C, the water may scald you and the life of the faucet may shorten causing it to break and leak water that may wet household articles and cause damage to your property.
	Do not disassemble or remodel the product with other items than what are described in this manual. Otherwise, the water may scald or injure you and the product may break and leak water that may wet household articles and cause damage to your property.
	When you use the high-temperature hot water, do not directly touch the spout. The spout is heated hot and you may get scalded.

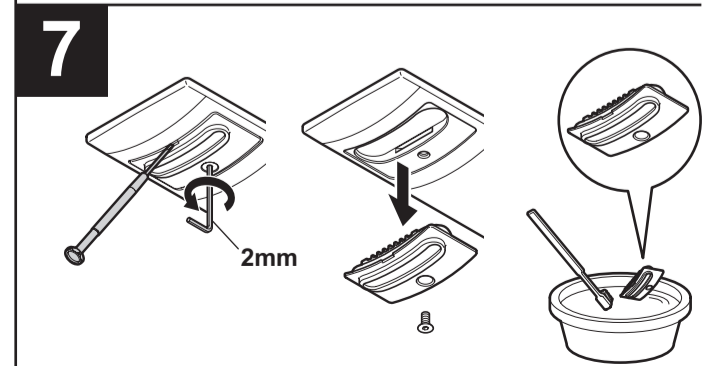
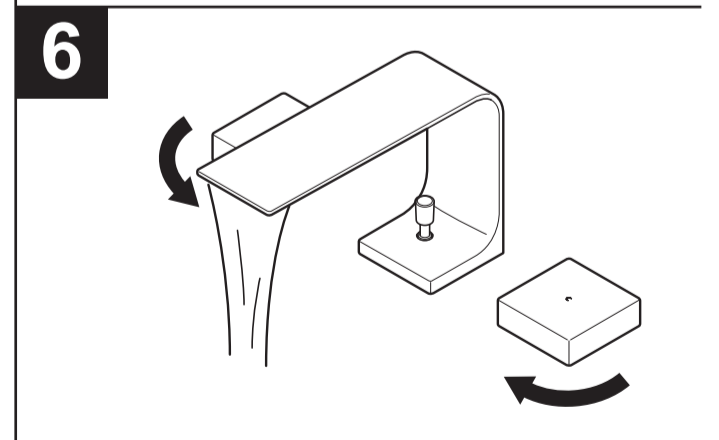
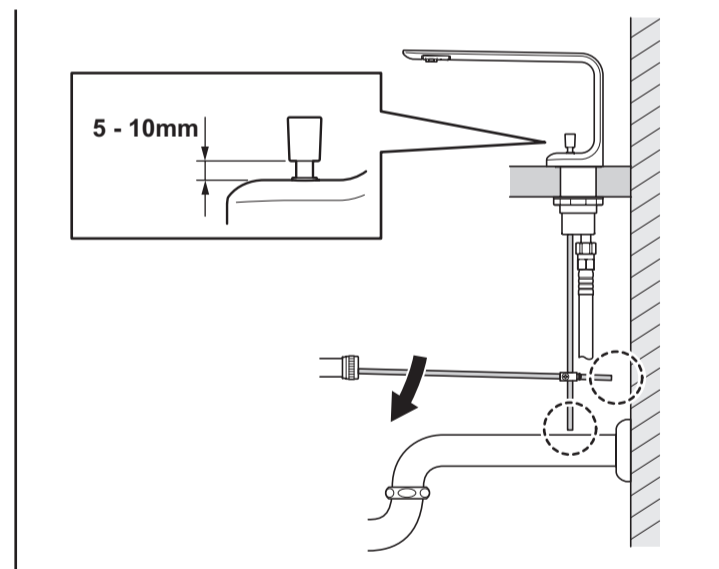
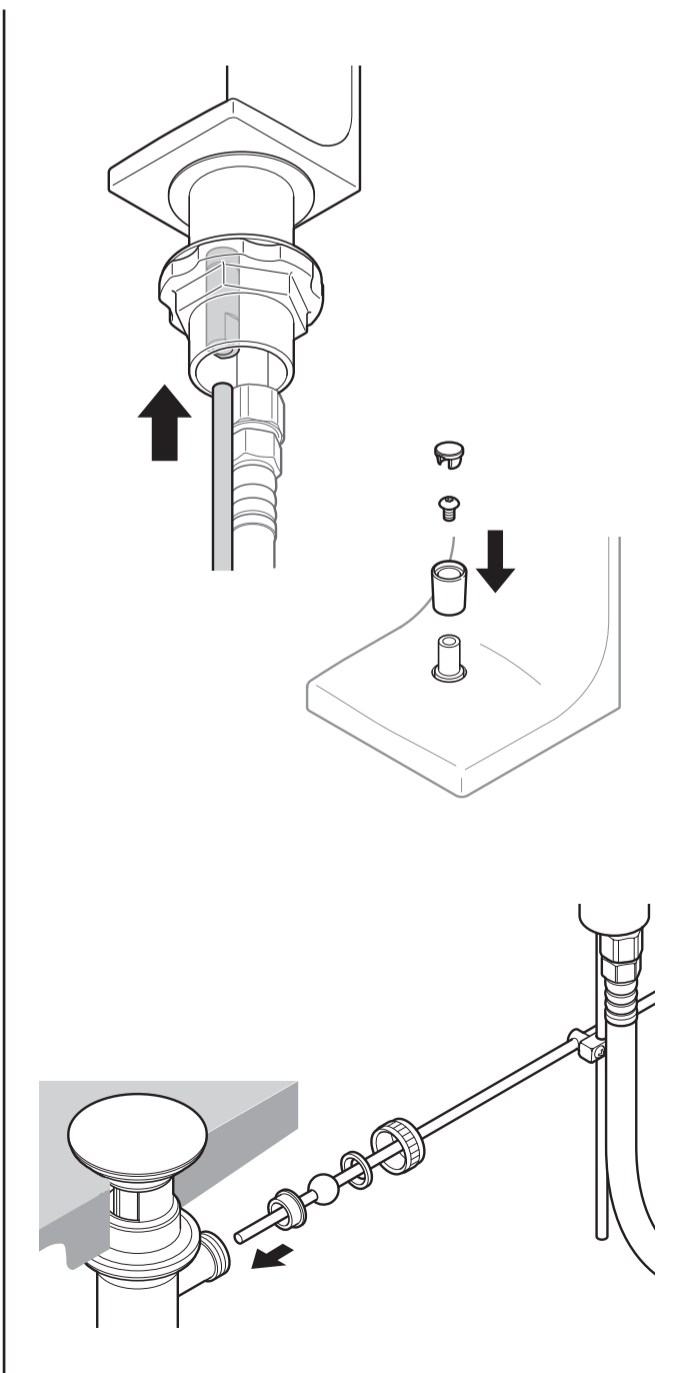
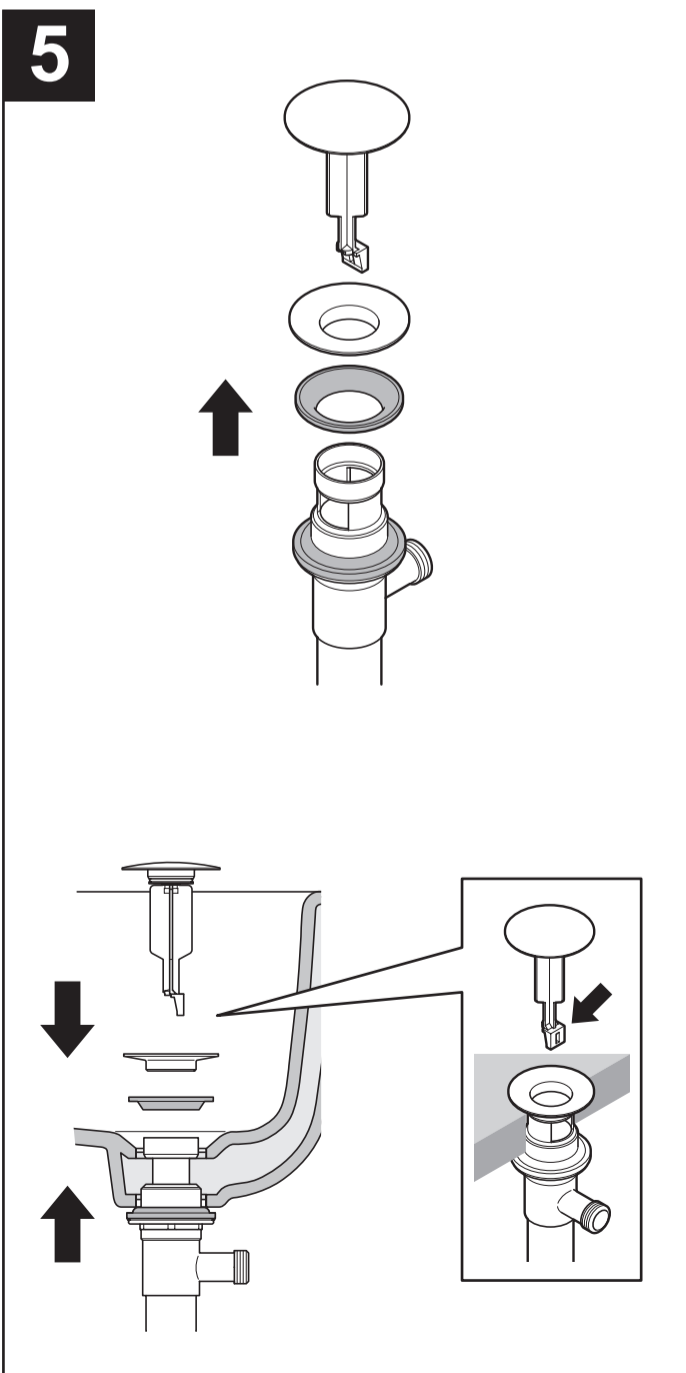
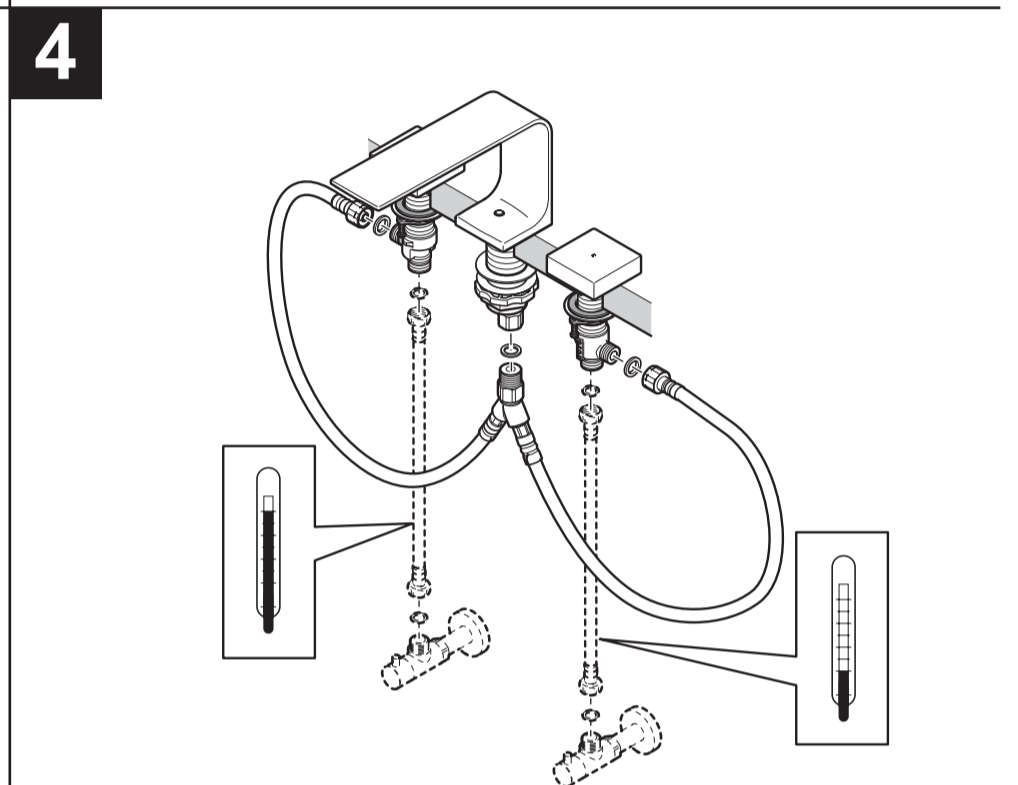
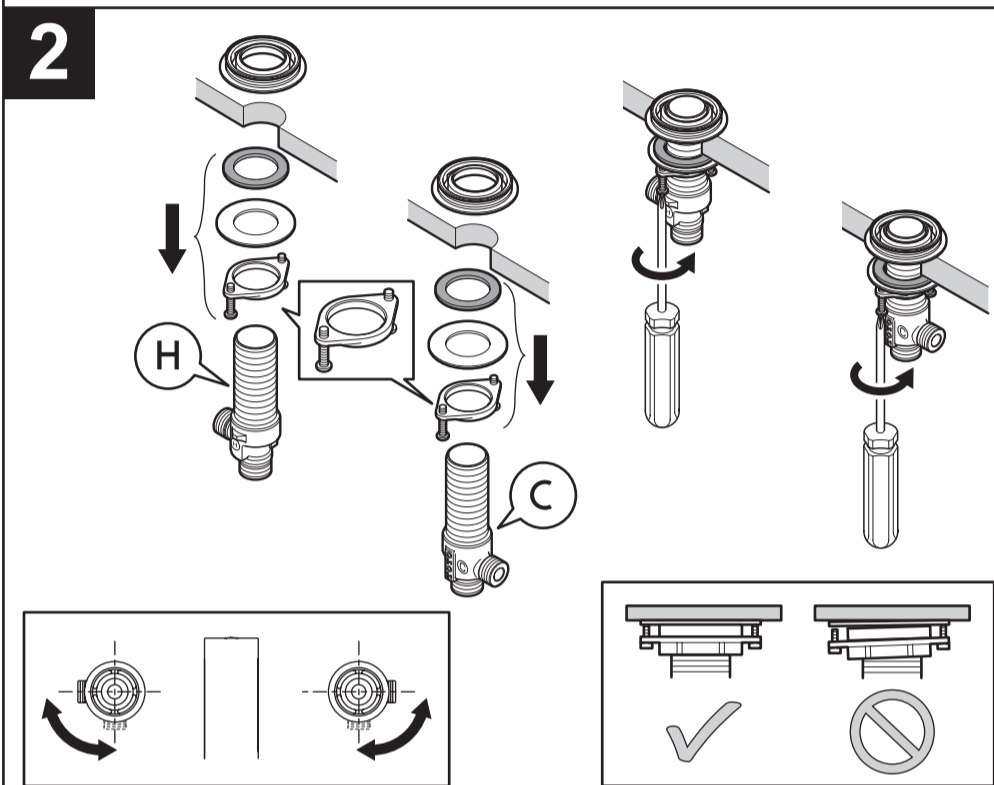
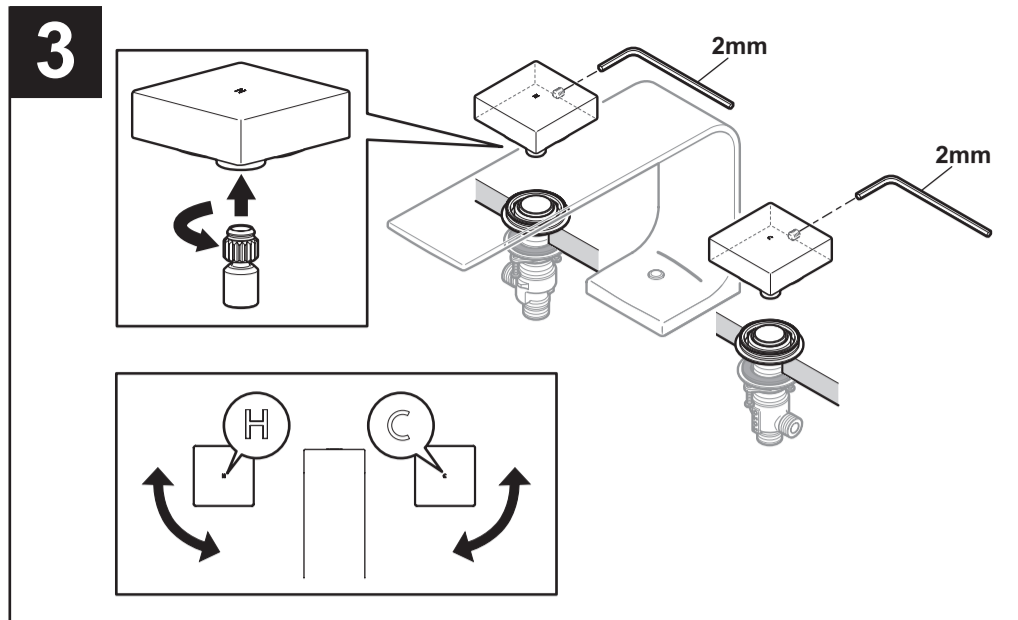
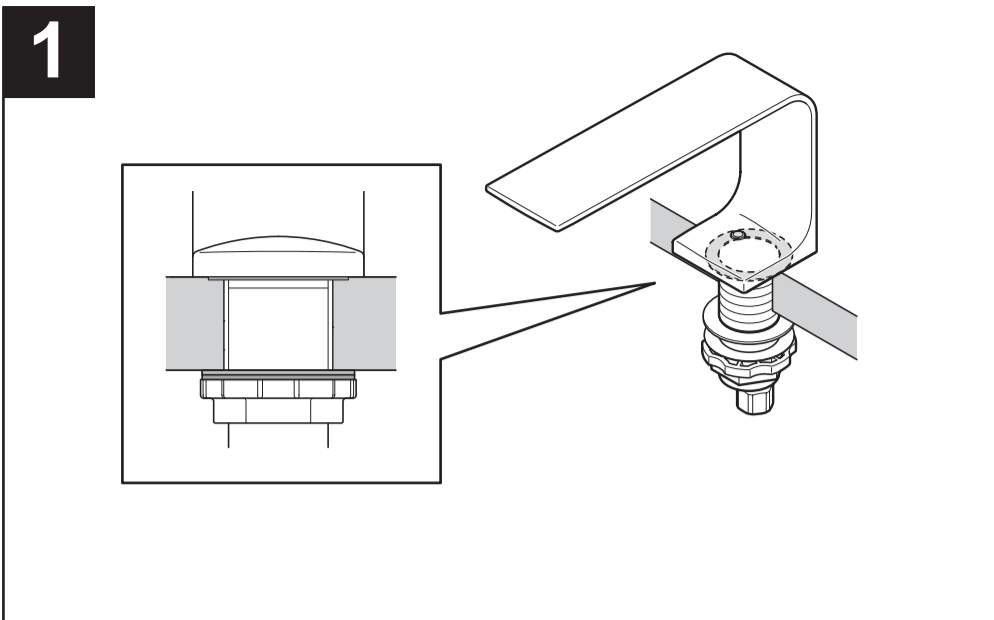
CN ※因产品型号不同，图片与实物可能稍有差异。

EN *The shape of the actual product may differ somewhat from drawings depending on the model number.

CN TLP02201型 **EN** TLP02201 Type

(mm)





CN

安装前的须知

- 供水压力超过1.0MPa时，请务必使用市场销售的减压阀，将供水压力降至0.1~0.5Mpa。
为了让客户能更舒适地使用本产品，推荐的供水压力为0.1~0.5MPa。
- 为防止误操作而导致的烫伤，冷水水压必须高于或等于热水水压。
如必须给热水侧加压时，热水侧压力也必须低于冷水水压。
- 为了减少供热设备到水嘴间的阻力，请按最短距离进行排管。
水管须包裹保温材料。
- 包装产品之前，因执行通水试验，可能会在产品内部留有残水，但是产品性能上毫无问题。
- 为了易于调节流量及维护保养，请务必另行准备进水角阀及冷·热水软管。

安装前，请务必执行供冷水管和供热水管内部的清扫

安装产品前

请另行准备市场销售的软管等与水桶。将软管连接到供冷水管和供热水管上，然后，再将供冷水管和供热水管内的垃圾或沙土等冲洗干净。

- ❗ 否则因供冷水管和供热水管内的垃圾或沙土堵塞阀芯而导致下列情况发生。
①吐水量少 ②吐水不止

水嘴的安装

- 1 ①清除安装孔周围的污垢。
②如图，首先将密封圈（小）装入水嘴本体，然后从台面上方将水嘴本体装入安装孔。依次将密封圈（大）、滑动垫圈从下方装入，并用固定螺母旋紧。

- ❗ 请将水嘴本体固定于安装孔的中心。

CN

软管的连接

- 4 ①将密封圈装入供冷·热水软管的固定螺母中，然后分别连接阀体部·角阀并旋紧固定螺母。
②如图，先将密封圈装入连接管连接螺母中，然后与水嘴本体连接。之后，再将密封圈装入连接管接头螺母中，分别与阀体部接头连接。

- ❗ 请确认密封圈没有遗漏。
●为避免连接管、供水软管折断、损伤，请注意不要强行弯折或拽拉连接管、供水软管。

排水配件的连接

- 5 ①从排水配件本体上拆下止水塞、排水头以及异型密封圈。
②从下方将排水配件本体穿过洗面器的排水口。
③如图所示方向按异型密封圈、排水头的顺序依次固定在排水配件本体上。
④将杠杆盒朝着水嘴侧，用螺母拧紧、固定（注意避免损坏洗面器）。
⑤边注意止水塞的方向，边穿过排水配件本体。
⑥从水嘴本体下方将拉杆插入引导管内。
⑦按拉杆、按钮、螺丝、装饰盖之顺序进行安装。
⑧在杠杆靠近拉杆的一侧穿过垫圈、螺母、固定配件，靠近排水侧穿过垫圈。

阀体部的安装

- 2 ①将阀体部安装螺母旋入阀体部螺纹的底部，然后，依次将垫圈、密封圈装入阀体部。
②从安装台面下方，将阀体部装入安装孔。从台面上方旋入阀体固定台座。
③旋紧安装螺丝（2个），直至垫圈压紧为止。

- ❗ 请务必将标有H标签的阀体部安装在热水侧，C标签的阀体部安装在冷水侧。
●请务必将各本体部安装在安装孔中央。

手柄的安装

- 3 将手柄插入阀体部。然后，用内置的定位螺丝固定。
※此时，定位螺丝应处于背面。

- ❗ 请在关闭状态下，调整手柄上的C·H标志，使其符合图示要求。
●请调整手柄位置，使其在操作过程中始终处于图示范围之内。
※通过调整阀芯轴上的嵌件，可以微调手柄的位置。

- 9 拉杆穿过固定配件后，将拉杆尖端穿过杠杆盒上的止水塞孔，并拧紧螺母进行固定。
（安装现场准备的排水管）

- ❗ 杠杆或拉杆与墙壁或排水管触碰时，可按需截短拉杆和杠杆

- 10 在杠杆下降到底的状态下，用拉杆连接件和螺丝固定杠杆和拉杆，并调整拉杆按钮与水嘴本体之间的间隙在5-10mm范围内。

安装结束后的确认 吐水·漏水的确认

- 6 ①打开管道总阀，确认水嘴是否正常吐水。
②请确认连接部有无漏水。
※高供水压力场合手柄操作会变重，请在不减少流量的基础上调节止水栓（手柄操作会变轻快）。

过滤网的清扫

- 7 安装结束后，请务必清扫过滤网。
如过滤网堵塞，不仅流量会减小，而且会造成只吐冷水或热水等问题，导致产品无法充分发挥应有的功能。请向客户说明需要定期清扫。

松动的确认

确认手柄、水嘴及排水配件有无松动。

规格

使用压力范围：最大	1.0 Mpa(静止时)
：最小	0.05 Mpa(流动时)
推荐使用压力：	0.1 - 0.5 Mpa
测试压力：	1.6 Mpa
热水温度：	最高 90 °C
推荐供水温度：	60 °C

EN

Before Installation

- If the water supply pressure exceeds 1.0 MPa, reduce the pressure to about 0.1 - 0.5 MPa using a commercially available pressure reducing valve. We recommend a water supply pressure of about 0.1 - 0.5 MPa for comfortable use of the faucet.
- In order to prevent scalding due to erroneous operation, be sure to set the cold water supply pressure higher than the hot water supply pressure or set them to the same pressure. Even when applying pressure to the hot water side, be sure to set the hot water supply pressure side lower than the cold water side.
- Connect the hot-water supply pipe at a minimum length from the water heater in order to reduce resistance and be sure to wrap the water supply pipe with thermal insulation.
- Since the flow is examined before packaging the product, some water may remain in the product, but nothing is wrong with the product.
- In order to make it easier to adjust the water pressure and check the equipment, be sure to separately prepare a water shutoff valve, a cold-water supply hose and a hot-water hose.

Cleaning the cold-/hot-water supply pipes before mounting the product.

Before mounting the product
Prepare a commercially available flexible hose, etc. and a bucket, connect the flexible hose to the cold-/hot-water supply pipes and flush out debris and sand in the cold-/hot-water supply pipes.

- ! If you do not clean the inside of the cold-/hot-water supply pipes, debris, sand, etc. in the pipes may get caught in the valve and cause the following phenomenon.
- (1) Little water volume is discharged.
 - (2) Water does not stop

Mounting of the spout

- 1 (1) Remove dirt around the mounting holes.
(2) Pass the spout through the (small) packing, insert the spout into the counter from above, and screw in the (large) packing, the spring washer and the mounting nut to anchor the spout.

! Anchor the spout so that it comes to the center of the mounting hole.

EN

Connection of the hoses

- 4 (1) Put the packing in the cap nut of the cold-/hot-water hoses, and screw the hose into the valve body and the water shutoff valve to anchor it.
(2) Put the packing in the cap nut of the connecting pipe, and screw the connecting pipe into the hose joint to anchor it. Put the packing in the cap nut of the connecting hose of the hose joint and screw the connecting hose into the valve body to anchor it.

- ! • Make sure that the packing is mounted.
• Pay attention not to bend the connecting hose and cold-water hose with more force than necessary or pull them with undue force.

Connect the Pop-up waste

- 5 (1) Remove the Pop-up waste lid, the flange and the atypical packings from the Pop-up waste body.
(2) Fit the Pop-up waste body from below through the water discharge port of the wash bowl.
(3) Anchor the off-type packing and flange to the Pop-up waste body in this order so as to sandwich the wash bowl.
(4) Turn the kick lever box to the faucet side and tighten it with a flanged nut for anchoring, using care so that wash bowl does not break.
(5) Pass it through the Pop-up waste body, paying attention to the direction of the Pop-up waste lid.
(6) Insert the pulling bar into the guide from below the spout body.
(7) Mount the pushbutton, screw and the lid on the pulling bar in this order.
(8) Fit washer, the cap nut and the anchoring metal fitting on the kick lever water faucet side and fit washer on the Pop-up waste side.

Anchoring the valve body

- 2 (1) Mount the body mounting nut, washer and packing in this order on the product body. Screw in the body mounting nut down to the lowest thread.
(2) Insert the body from under the counter and screw in the mounting metal fitting until it touches the body.
(3) Press the 2 screws of the body mounting nut strongly against the washer.

- ! • Be sure to mount the hot-water supply valve body (Label H) on the left side of the spout and mount the cold water supply valve body (Label C) on the right side of the spout.
• Mount the valve body in the center so that it does not deviate from the mounting hole.

How to mount the handle

- 3 Insert the handle into the valve body and anchor it with the setscrew incorporated in the handle.

* Set it so that the setscrew comes to the backside.

- ! • Mount the handle so that C/H comes to the positions shown in the figure when the index of the handle shows the water off.
• Mount the handle so that it comes to the position in the figure when the handle is operated.
* The handle position can be fine-adjusted by replacing the adjusting bush.

- 9 After passing the pulling bar through the anchoring metal fittings, pass the kick lever through the hole of the Pop-up waste lid of the kick lever box and anchor it with the cap nut.
(Connect the water drainpipe [procured in the field].)

! If the kick lever and the pulling bar interfere with the wall and the water drain pipe cut them to a length that they do not interfere.

- 10 Adjust the clearance between the spout and the pushbutton to 5 - 10mm with the kick lever lowered to the lowest position and anchor the kick lever and the pulling bar with the screw of the anchoring metal fitting.

Checking after installation Water flow and water leaks

- 6 • Open the main valve of the piping and make sure that the water comes out from the spout.
• Check the connections for water leaks.
* If supply water pressure is high and handle operation is heavy, please adjust the flow rate by stop valve without being too small. (Handle operation will be lighter.)

How to clean the filter

- 7 Be sure to clean the filter after mounting.
If the filter is clogged, the flowrate decreases and only cold water or scalding hot water comes out, thus the product does not fulfill its purpose.
Explain things to the customer and recommend cleaning from time to time.

How to check for looseness

Check the handle, spout and water drain metal fitting for any looseness.

Specifications

Operating pressure range : Max	1.0 MPa (Static)
: Min	0.05 MPa (Dynamic)
Recommended Operating pressure :	0.1 - 0.5 MPa
Test pressure :	1.6 MPa
Hot water temperature :	Max. 90 °C
Recommended hot water temperature :	60 °C