

# 施工说明书 Installation Manual

安装产品前请仔细阅读本施工说明书，并保留备用。  
Before installing the product, please read the Installation Manual carefully and keep it for future reference.

# TOTO

# TOTO

OG4951Y(A)  
2020.09

# 目录

## 目 录

目 录 .....	1
明细单 .....	2
使用条件与施工上的注意 .....	3
施工上的注意与保养 .....	4
安装完成图 .....	5-9
水嘴的安装 .....	10-14
生产厂家与销售商 .....	15

# 明细单

## 明 细 单

水嘴主体部 .....	1套
耐压软管 .....	2根
排水金具 .....	1套
阀芯本体部 .....	2套
手柄部 .....	2套
吐水口拆卸治具 .....	1个
施工说明书 .....	1本
使用说明书 .....	1本

使用此明细单的产品包括：

- TLG07201\* 铜合金台式双柄双控洗面器水嘴(含排水配件)
- TLG08201\* 铜合金台式双柄双控洗面器水嘴(含排水配件)
- TLG09201\* 铜合金台式双柄双控洗面器水嘴(含排水配件)
- TLG10201\* 铜合金台式双柄双控洗面器水嘴(含排水配件)
- TLG11201\* 铜合金台式双柄双控洗面器水嘴(含排水配件)

# 使用条件与施工上的注意

## 使用条件

1. 供冷水\*热水压强：  
最低压强……………0.05MPa（流动压）  
最高压强……………1.0MPa（静压）  
推荐使用压强………0.1~0.5MPa（流动压）  
检测压强……………1.6MPa（静压）
2. 供水温度在4℃~90℃，建议使用热水温度60℃，供热水请勿使用蒸汽。
3. 使用环境温度0℃以上。如果不高于0℃，水嘴会出现变形、冻裂现象。
4. 长时间不使用时，可导致水嘴内部及外部锈蚀不能使用等现象。
5. 如果您需要废弃本产品，请勿将其作为一般生活垃圾处理，请依照法规经由独立的回收体系进行合适的处理、恢复和回收。
6. 本说明书中的产品具有清洗功能。

## 施工上的注意

**⚠警告** 表示如果无视此标志而误操作时，有可能造成人员重伤或死亡。

**⚠注意** 表示如果无视此标志而误操作时，有可能造成人身伤害或财产损失。

### ⚠警告

1. 水嘴的供热水一侧处于高温状态，请注意勿使皮肤直接接触五金配件表面，否则可能会烫伤。
2. 请勿配反冷\*热水配管，否则可能会烫伤。
3. 供热水请勿使用蒸汽，否则可能会烫伤。

### ⚠注意

1. 由于陶瓷阀芯是较精密的部件，请勿擅自分解，否则可能会造成漏水等不良。
2. 请勿撞击本产品，否则可能会造成故障、漏水。

# 施工上的注意与保养

## ⚠注意

3. 随着产品式样的不断更新，实物存在与图示不符的情况，但基本安装、使用原理相同。
4. 由于出厂前进行通水检查，故水嘴内可能有残留水，并非产品有问题。

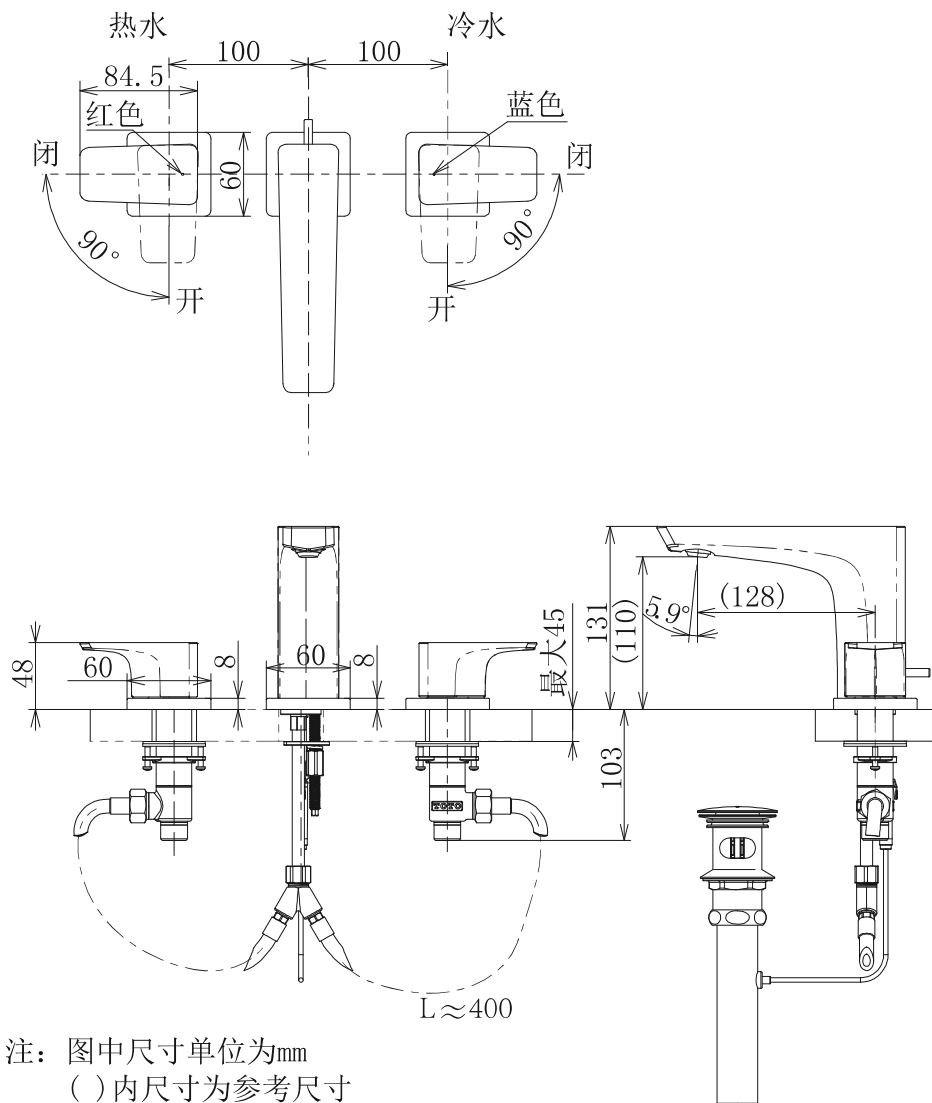
## 保养

为长期保持产品的美观，请用户按以下方法维护保养。

1. 经常用软布擦拭，间或用软布蘸水擦拭。
2. 当有污垢且较明显时，请用中性洗涤剂擦拭后充分进行水洗。

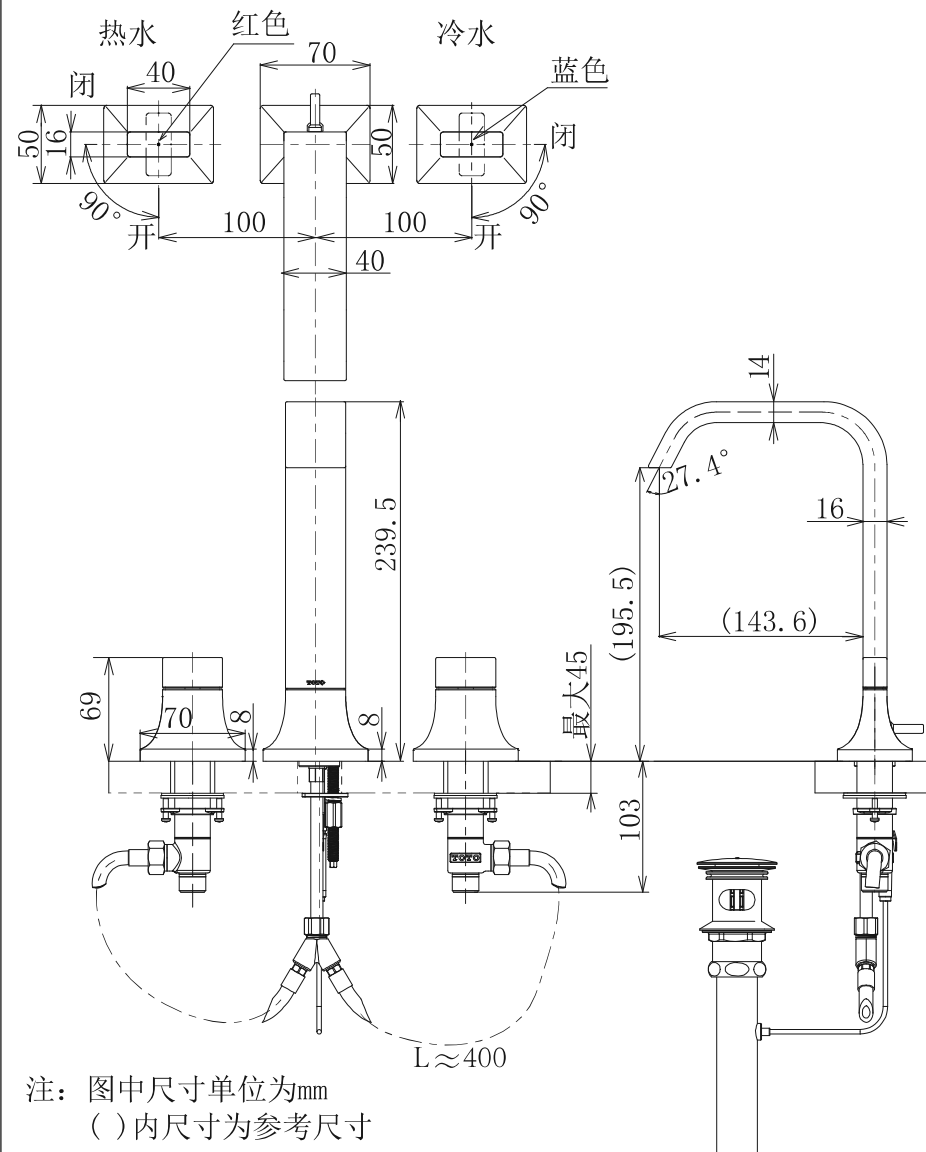
# 安装完成图

TLG07201\*系列  
铜合金台式双柄双控洗面器水嘴



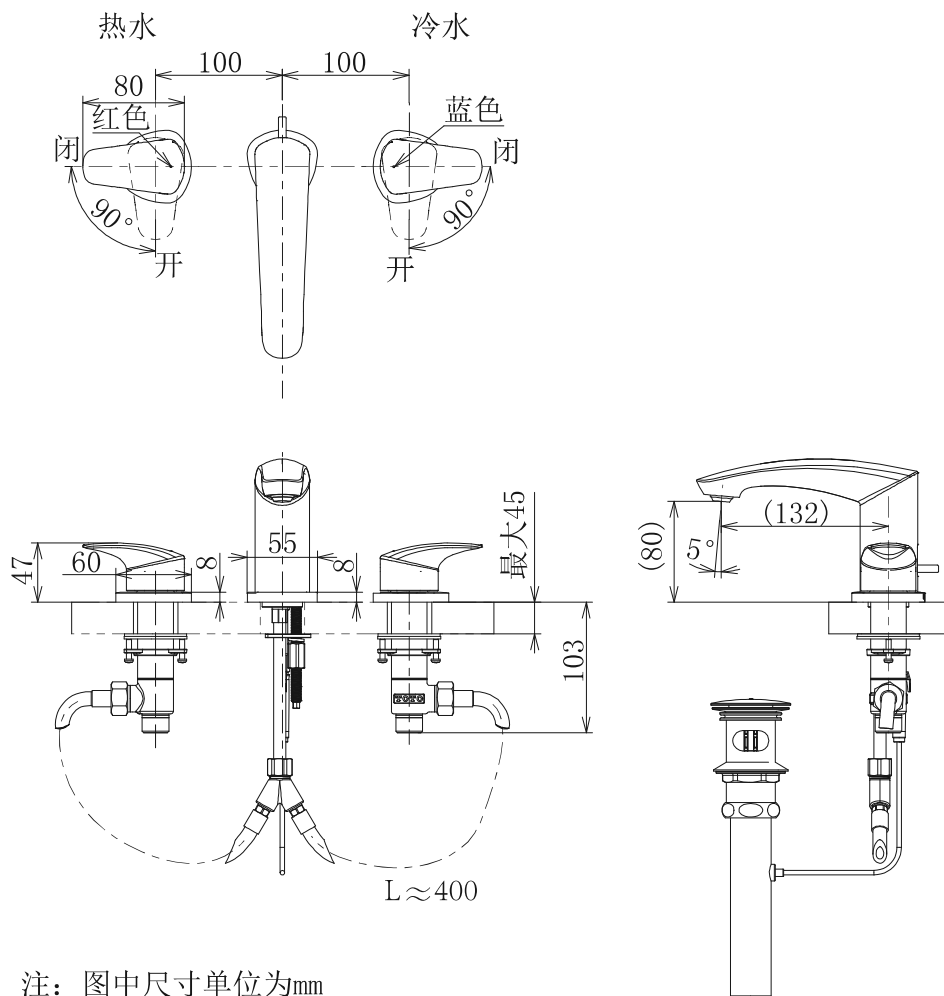
# 安装完成图

TLG08201\*系列  
铜合金台式双柄双控洗面器水嘴



# 安装完成图

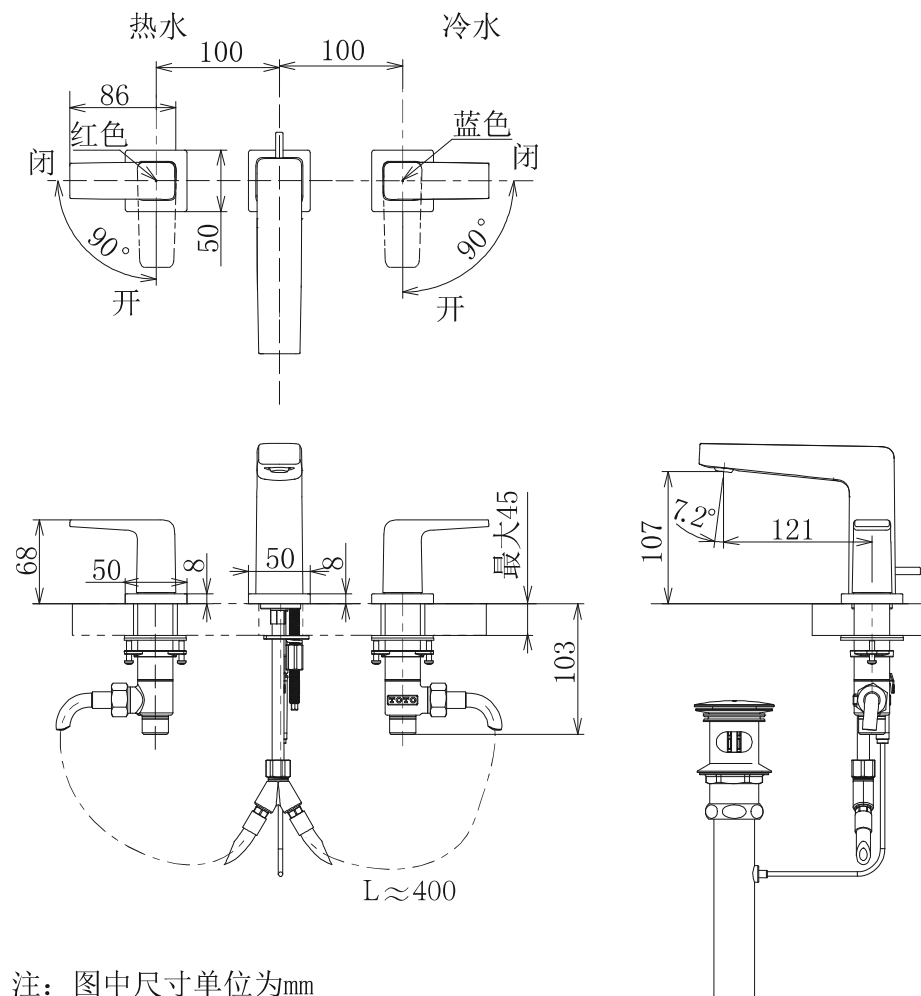
TLG09201\*系列  
铜合金台式双柄双控洗面器水嘴



注：图中尺寸单位为mm  
( )内尺寸为参考尺寸

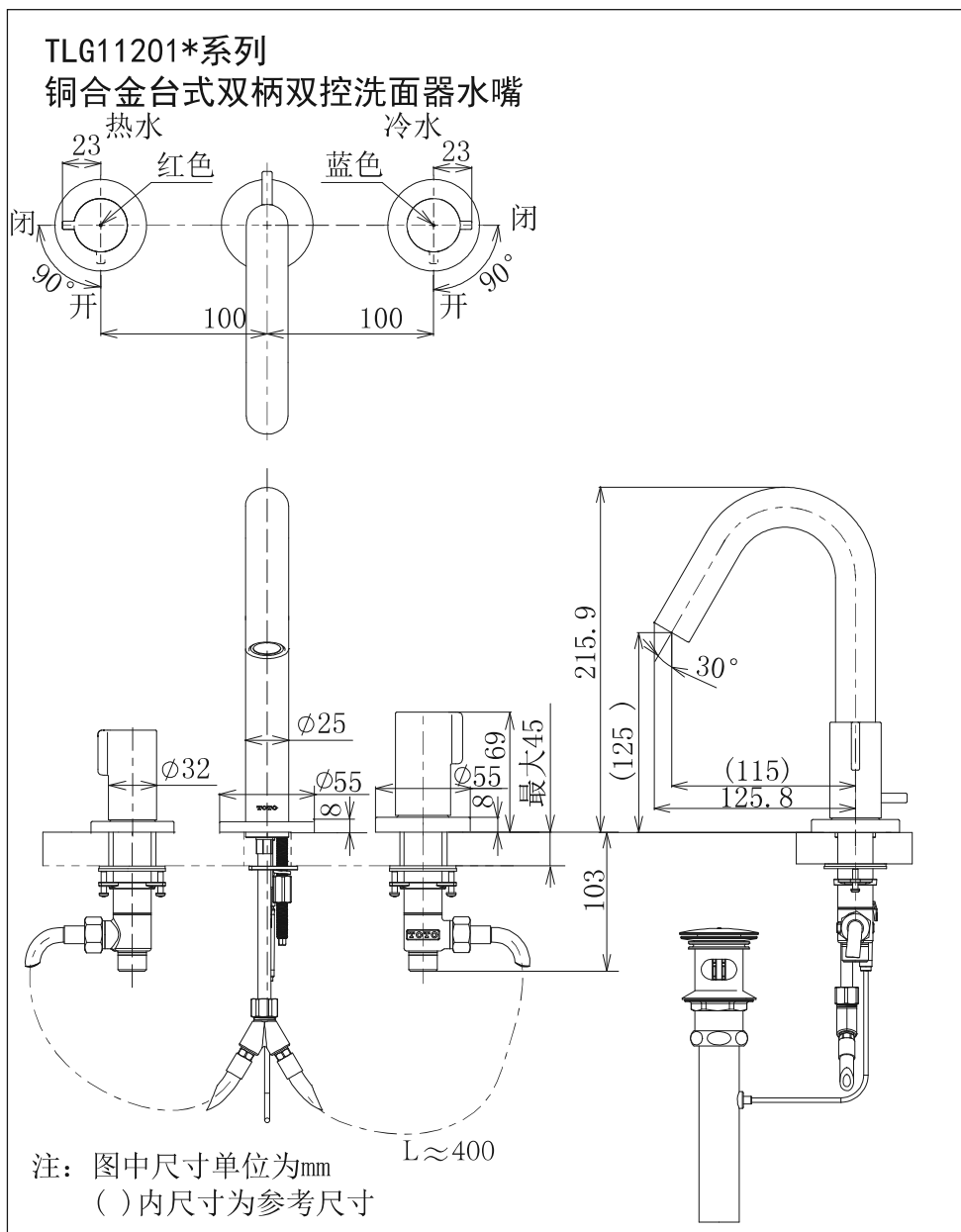
# 安装完成图

TLG10201\*系列  
铜合金台式双柄双控洗面器水嘴



注：图中尺寸单位为mm  
( )内尺寸为参考尺寸

# 安装完成图



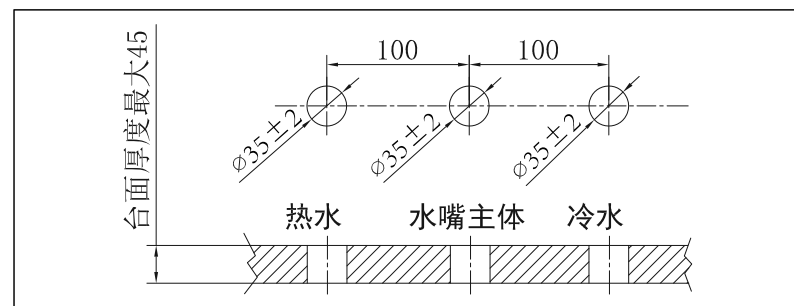
# 水嘴的安装

## 1. 供水管内的清扫

安装前，一定要冲净供水管内的灰尘，砂砾等异物。

## 2. 孔的设定

(1) 台面孔的设定。



(2) 使用已有安装孔的洗面盆时，请注意安装孔是否合适。

## 3. 水嘴主体部的安装 (图1)

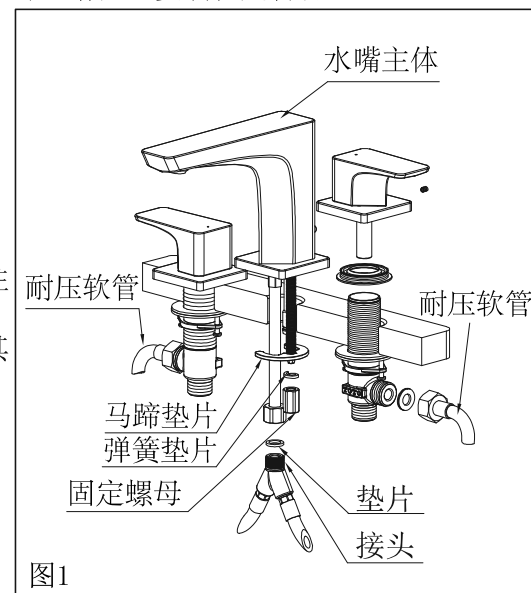
(1) 在安装前必须清除安装孔周围的污物，主体的安装参照下图。

(2) 卸下水嘴主体下部的固定螺母、弹簧垫片、马蹄垫片。

(3) 将水嘴主体从台面上方往下穿过安装孔。

(4) 调整水嘴主体方向，使其正面朝前；然后从台面的下部用马蹄垫片、弹簧垫片和固定螺母将水嘴固定在台面上。

(5) 放入垫片，紧固螺母固定接头。



# 水嘴的安装

## 4. 阀体的安装 (图2)

(1) 在安装前必须清除安装孔周围的污物。

(2) 卸下阀体上的固定台座。

(3) 将阀体从台面下方往上穿过安装孔。

**注意：**安装时务必注意冷热方向，不可装反（阀体上带 ⊕ 为热水侧，带 ⊙ 为冷水侧）。

(4) 将固定台座拧紧到阀体上。

(5) 用耐压软管上的螺母将耐压软管、垫片与阀体拧紧。

(6) 将阀体上的紧固螺母拧紧，然后拧动紧固螺母上的螺钉，使阀体充分固定在台面上。

**注意：**T型阀体的旋转范围如图3扇形部分。

## 5. 手柄部的安装 (图4)

(1) 拧松手柄部的螺丝。

**注意：**螺丝不用完全卸下，拧松即可。

(2) 将手柄部安装到阀体上（可根据视觉效果调整手柄的安装方向）。

**注意：**

① 安装时务必注意冷热方向，不可装反（手柄上红色为热水侧，蓝色为冷水侧）。

② 安装时务必注意开闭方向，不可装反（热水侧逆时针为开，顺时针为闭；冷水侧顺时针为开，逆时针为闭）。

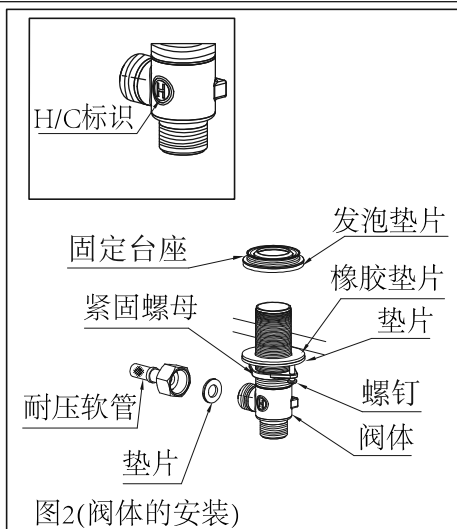


图2(阀体的安装)

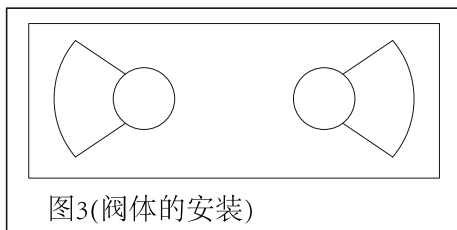


图3(阀体的安装)

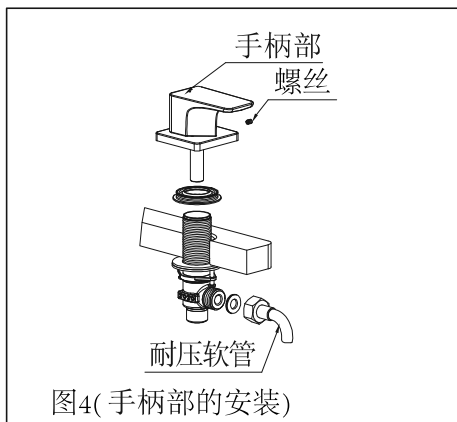
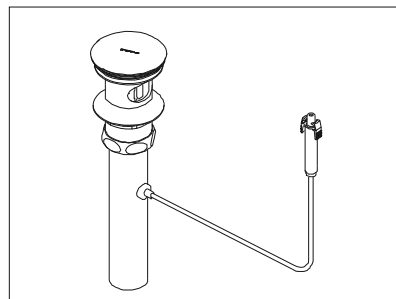


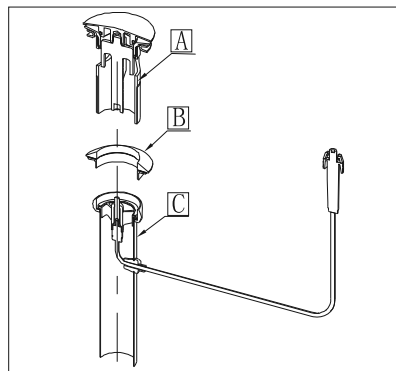
图4(手柄部的安装)

# 水嘴的安装

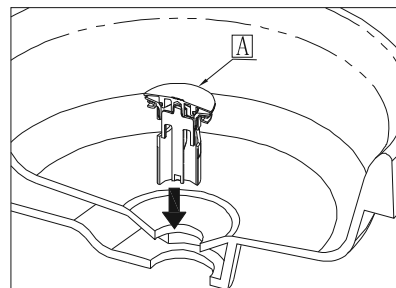
## 6. 排水配件的安装 (示例)



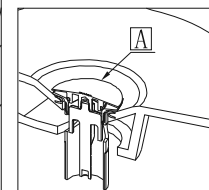
(1) 排水配件的包装状态



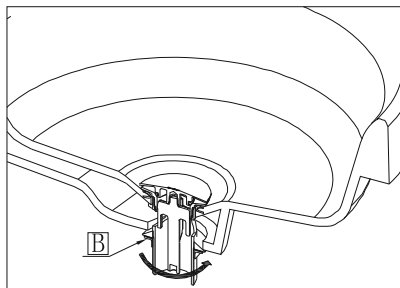
(2) 排水配件的分解  
按照图示将排水配件拆卸分为A、B、C三部分。



(3) 把A部分从洗面盆的排水口上方放入。

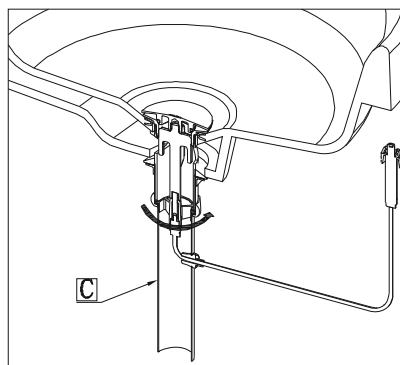


# 水嘴的安装

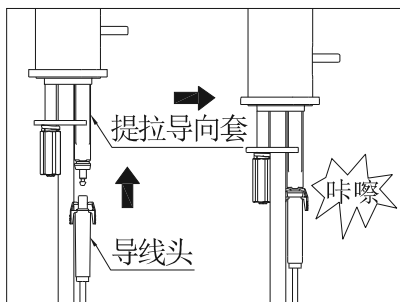


(4) 将B部分从洗面盆的排水口下方旋入A部，旋转螺母直到B部上端面 and 洗面盆紧密贴紧为止。

※B部中间的树脂垫片请勿疏漏。



(5) C部的螺母与A部下端螺纹对齐后，旋转C部螺母，直至拧紧。



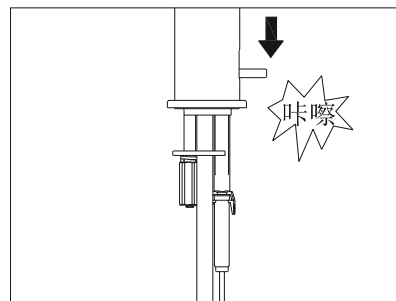
(6) 连接部位的安装(如图所示)

a. 客户将排水金具的导线头扣入提拉杆导向套底部即可。

b. 听到咔嚓声为止。

注意：不要用力推，以免造成损坏现象。

# 水嘴的安装

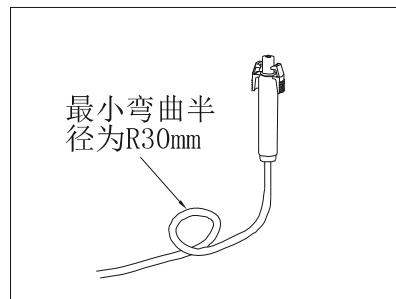


(7) 按下拉杆握手，听到咔嚓声为止。

※确认是否安装好：

按下拉杆握手、面盖部弹起再次提拉拉杆握手，面盖部关闭止水。

注意：不要用力按，以免造成损坏现象。



(8) ※排水胶皮线的最小弯曲半径为R30mm。



# 生产厂家与销售商

执行标准：GB18145-2014、GB25501-2019

产品型号：见包装箱上的标签

产品名称：见包装箱上的标签

生产日期：见包装箱上的标签

组装工厂：东陶（大连）有限公司

电 话： (0411) 87624383

厂 址：大连经济技术开发区东北二街17号

东陶(中国)有限公司

全国售后服务电话：800-820-9787(固定电话)

400-820-9787(手机用户)

销售商：东陶(中国)有限公司

地 址：北京市朝阳区光华路1号 北京嘉里中心北楼1915室

网 址：www.toto.com.cn

# Table of Contents

## Table of Contents

Table of Contents .....	1
Specification.....	2
Use Conditions and Attention on Installation .....	3
Attention and Maintenance for Installation .....	4
Installation completion diagram .....	5-9
Installation of Spout.....	10-14

# Specification

## Specification

Main Body of the Spout .....	1 set
Water supply hose .....	2 pieces
Drain Assembly .....	1 set
Valve Spool Body.....	2 sets
Handle .....	2 sets
Fixture for Disassembly for Spout .....	1 piece
Installation Manual .....	1 booklet
User Manual.....	1 booklet



Products using this specification include  
 TLG07201\* "GE" Wide spread lavatory faucet  
 TLG08201\* "GC" Wide spread lavatory faucet  
 TLG09201\* "GM" Wide spread lavatory faucet  
 TLG10201\* "GB" Wide spread lavatory faucet  
 TLG11201\* "GF" Wide spread lavatory faucet

# Use Conditions and Attention on Installation

## Use Conditions

1. Pressure for cold water \* hot water supplying  
 Minimum pressure.....0.05 MPa (flow pressure)  
 Maximum pressure.....1.0 MPa (static pressure)  
 Recommended pressure.....0.1 ~ 0.5 MPa (flow pressure)  
 Detection pressure.....1.6 MPa (static pressure)
2. The water supply temperature is between 4° C and 90° C. It is recommended to use hot water temperature of 60° C. Do not use steam when supplying hot water.
3. Ambient temperature of the use above 0° C. If it is lower than 0° C, the spout will have some issues such as deformations, cracking, etc.
4. When it is not used for a long time, it may cause the inside and outside of the spout to rust and corrode, leading to malfunction.
5. If you need to dispose of this product, do not dispose of it as general household waste. Please follow the regulations to properly dispose, recover and recycle it through an independent recycling system.
6. The products stated in the Manual have a cleaning function.

## Attention on Installation

-  Warning : Indicates that if you overlook this sign, causing misoperation, it may result in serious injury or death.
-  Attention : Indicates that if you overlook this sign, causing misoperation, it may cause personal injury or property damage.

### Warning

1. As one side of the spout to supply hot water is in a high-temperature state, do not let the skin be directly in contact with the surface of the hardware fitting; otherwise it may cause burn injuries.
2. Do not assemble cold \* hot water tubing incorrectly; otherwise it may cause burn injuries.
3. Do not use steam when supplying hot water; otherwise it may cause burn injuries.

### Attention

1. The ceramic cartridge is a precise component, so please do not disassemble it arbitrarily, otherwise poor conditions including water leakage may occur.
2. Please avoid impact to this product, otherwise failure and water leakage may occur.

## Attention and Maintenance for Installation

### ⚠️ Attentions

3. With the constant update of product models, the physical form may not be consistent with the diagram form, but the basic installation and application principles are the same.
4. Due to water supply inspection before this product leaves the factory, there may be residual water in the faucet, and this is not a product problem.

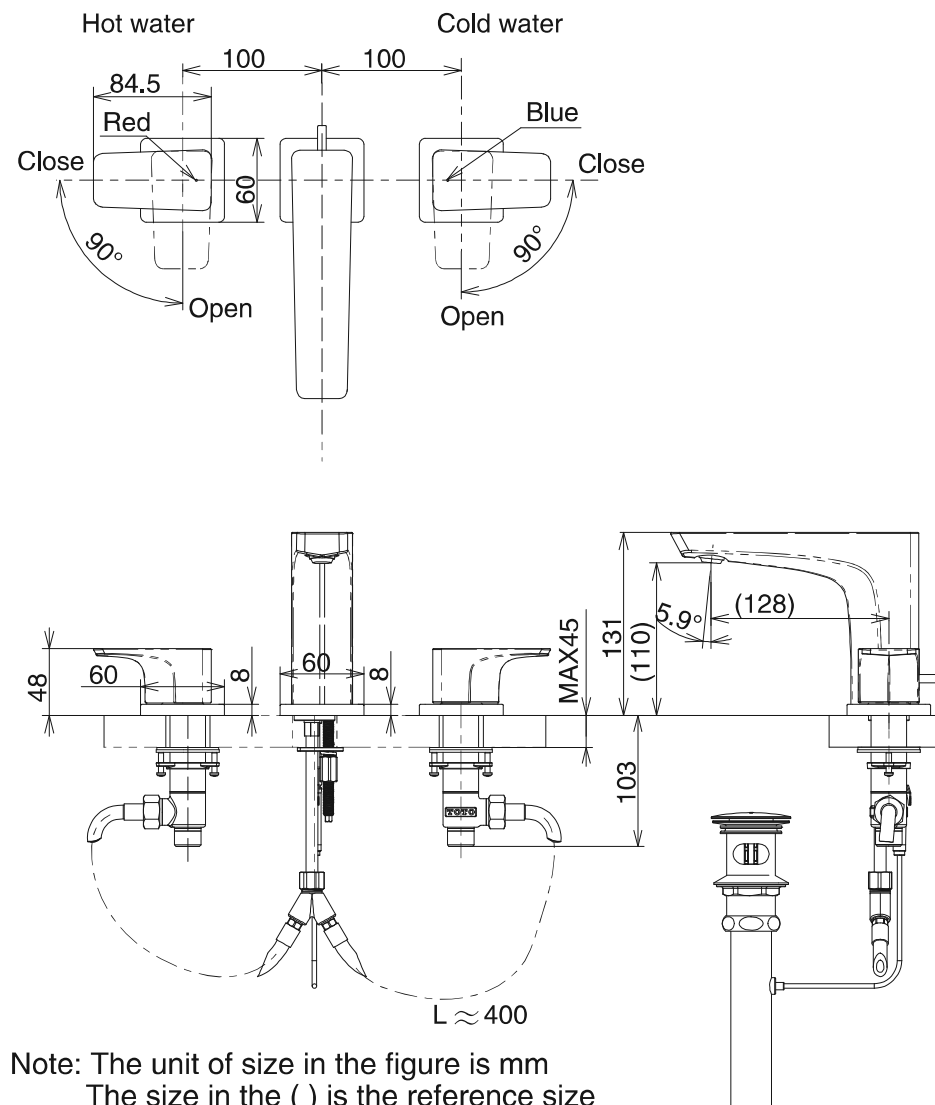
### Maintenance

In order to maintain the decent appearance of the product for a long time, please maintain it according to the following methods.

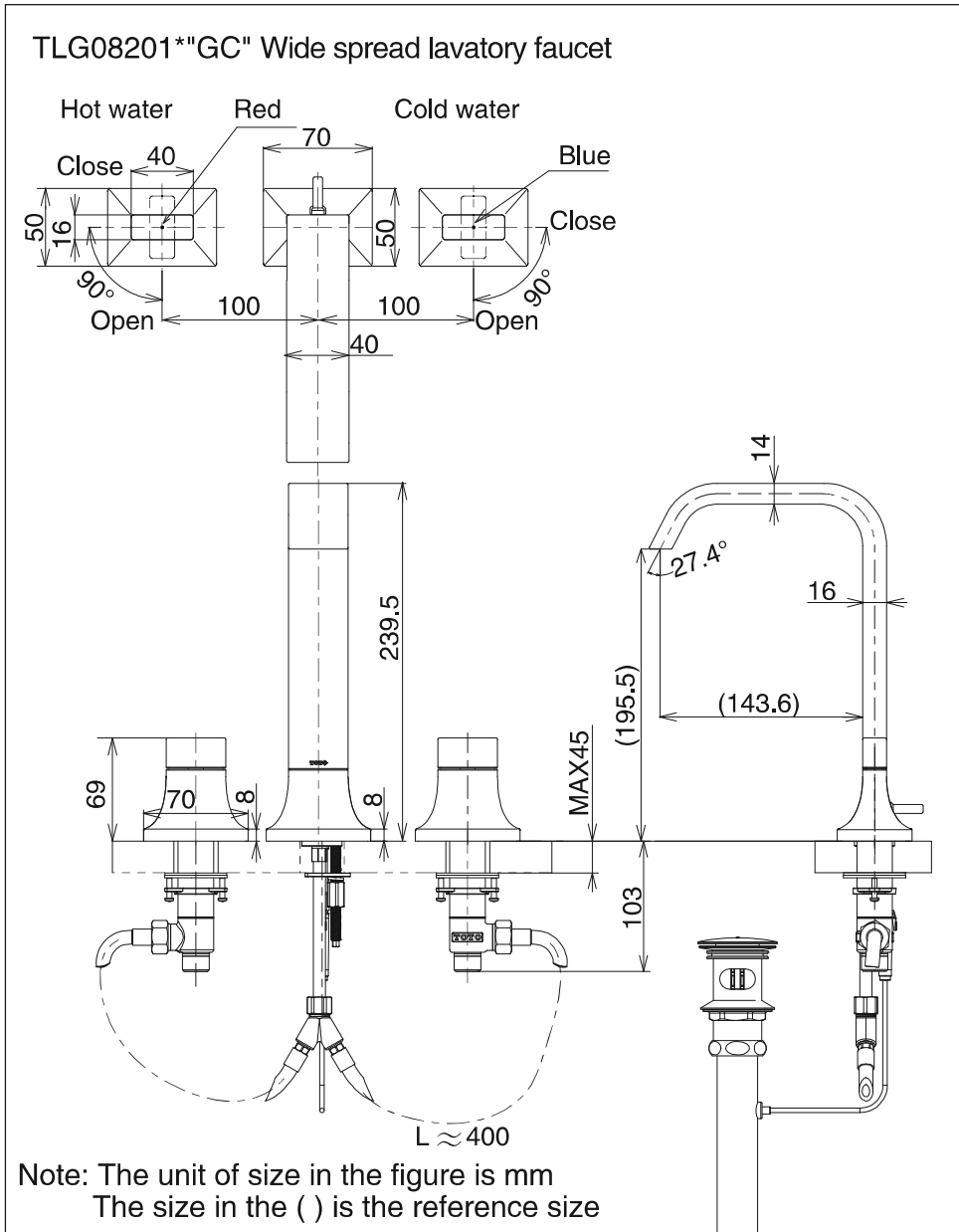
1. Wipe with a soft cloth often, or wipe with a soft cloth with water occasionally.
2. When there is dirt and it is obvious, please wash it with water thoroughly after wiping it with neutral detergent.

## Installation completion diagram

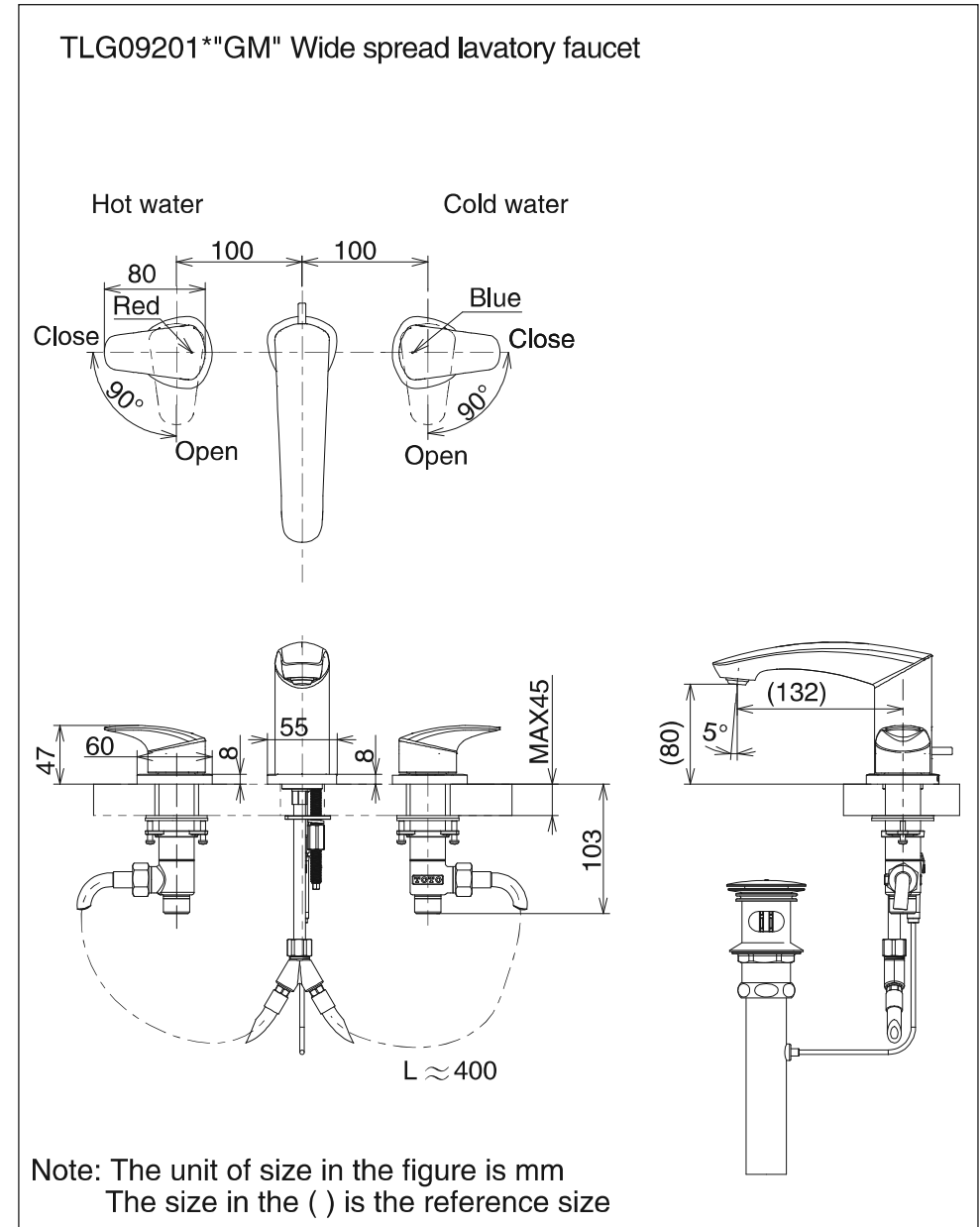
TLG07201 "GE" Wide spread lavatory faucet



# Installation completion diagram

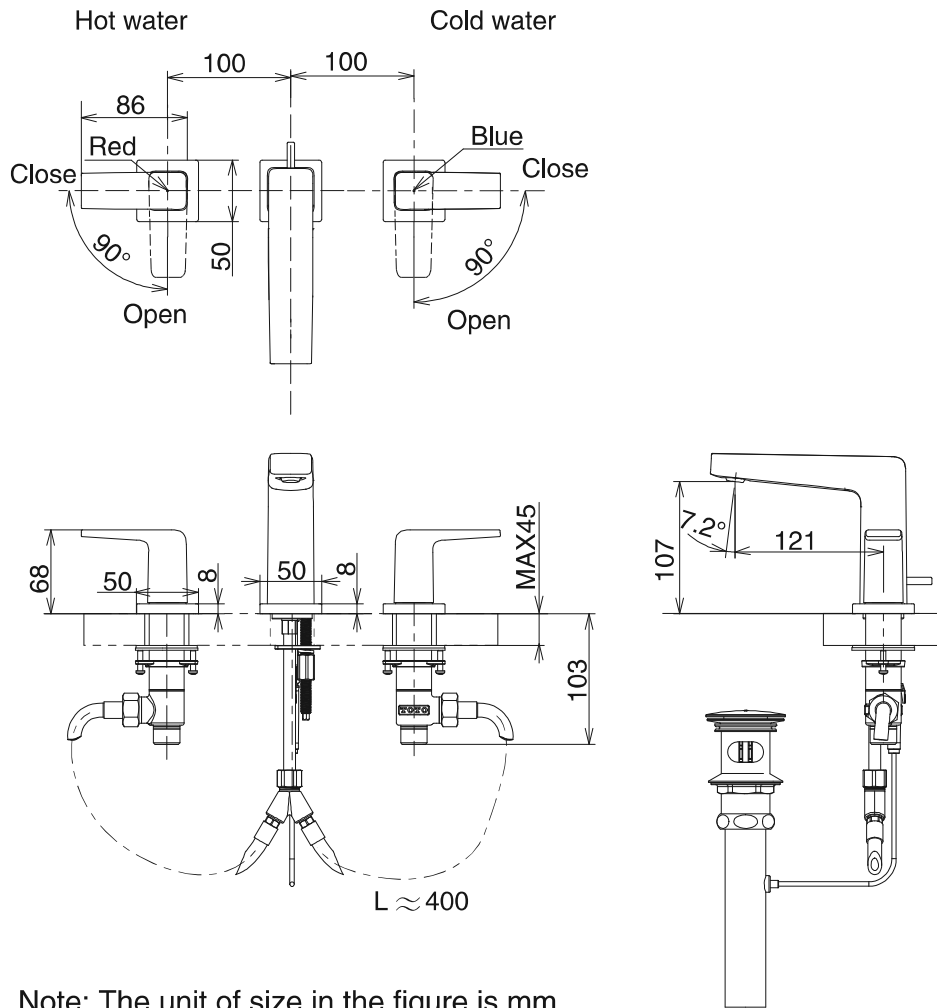


# Installation completion diagram



# Installation completion diagram

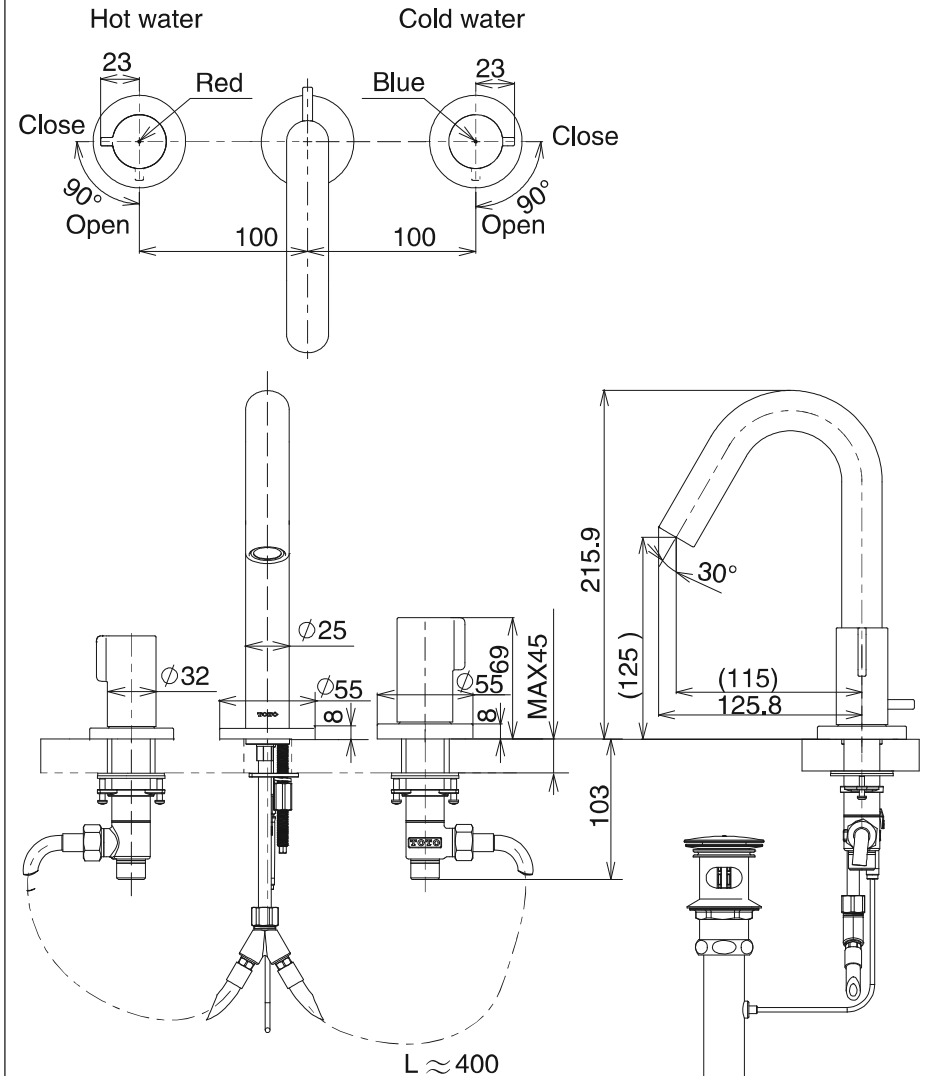
TLG10201\*\*"GB" Wide spread lavatory faucet



Note: The unit of size in the figure is mm  
The size in the ( ) is the reference size

# Installation completion diagram

TLG11201\*\*"GF" Wide spread lavatory faucet



Note: The unit of size in the figure is mm  
The size in the ( ) is the reference size

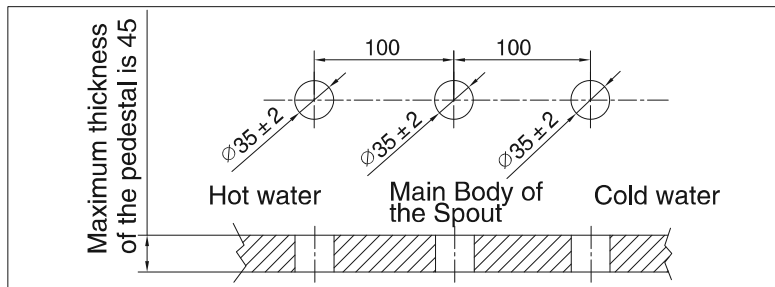
# Installation of Spout

## 1. Cleaning in the water supply pipe

Before installation, be sure to flush foreign matter such as dust and gravel in the water supply pipe.

## 2. Hole setting

(1) Hole Setting on the pedestal



(2) Please be sure that the mounting hole is qualified when using the lavatory with pre-drilled mounting hole.

## 3. Installation of faucet (Figure1)

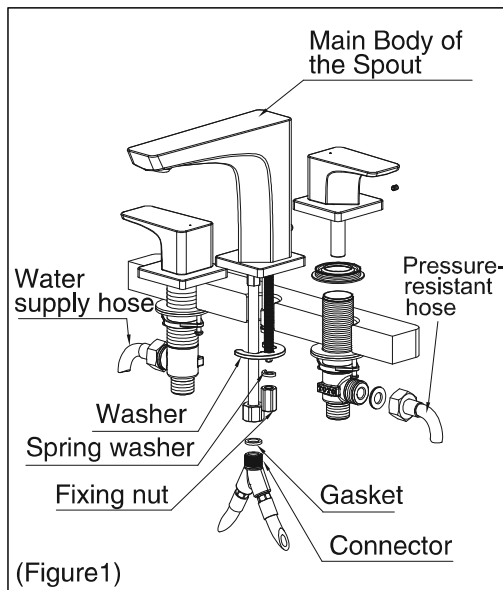
(1) The dirt around the mounting hole must be removed before installation and refer to the figure below for the installation of the main body.

(2) Remove the mounting nut, spring washer and washer under the main body of the faucet.

(3) Mount the faucet through the mounting hole from above the lavatory.

(4) Adjust the direction of the faucet so that it faces the front; then use the washer, spring washer and mounting nut to secure the faucet on the lavatory.

(5) Put in the gasket, tighten the mounting nut and fix the connector.



(Figure1)

# Installation of Spout

## 4. Valve body installation (Figure2)

(1) The dirt around the mounting hole must be removed before installation  
 (2) Remove the fixing collar on the valve body  
 (3) Thread the valve body upward through the mounting hole from under the lavatory.

**Note:** During installation, be sure to check the cold and hot directions to avoid reverse installation (the side with H on the valve body is hot water and the side with C is cold water).

(4) Screw tightly the fixing collar onto the valve body.

(5) Use the nut on the water supply hose to screw tightly the water supply hose and gasket to the valve body.

(6) Fasten the mounting nut on the valve body, and then tighten the screws on the fastening nut to fix the valve body sufficiently onto the lavatory.

**Note:** The rotating range of the T-type valve body is as shown in fan-shaped area of the Figure3.

## 5. Handle installation (Figure 4)

(1) Loosen the screws of the handle.

**Note:** It is not necessary to fully remove the screws, just loosen them.

(2) Install the handle onto the valve body (installation direction of handle can be adjusted according to the visual effect).

**Note:**

① During installation, be sure to check the cold and hot directions to avoid reverse installation (the handle with red is hot water and the handle with blue is cold water).

② During installation, be sure to check the opening and closing directions to avoid reverse installation (the anticlockwise direction is opening and the clockwise direction is closing at the hot water side; the clockwise direction is opening and the anticlockwise direction is closing at the cold water side).

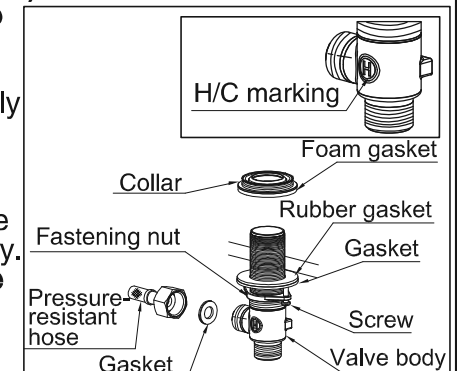


Figure 2. ( Valve body installation)

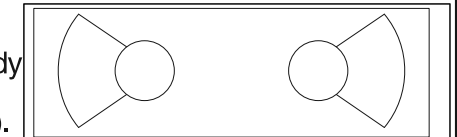


Figure 3.

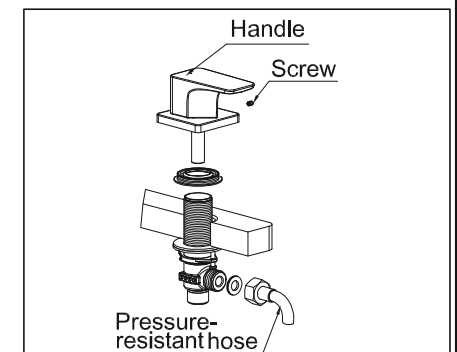
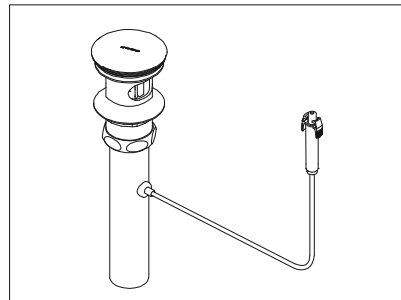


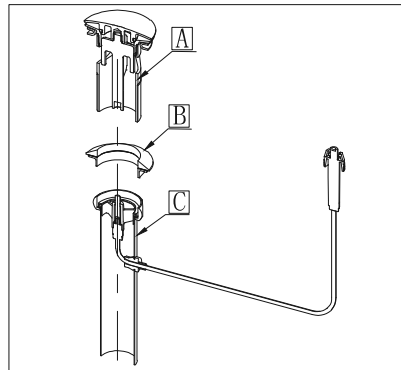
Figure 4.(Handle installation)

# Installation of Spout

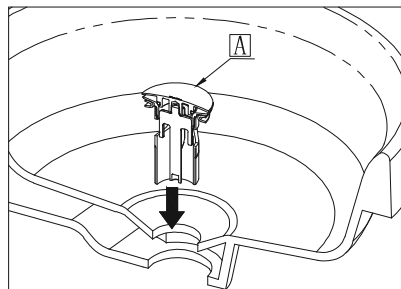
## 6. Installation of drain assembly (Example)



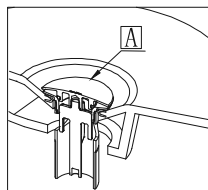
(1) Package status of drain assembly



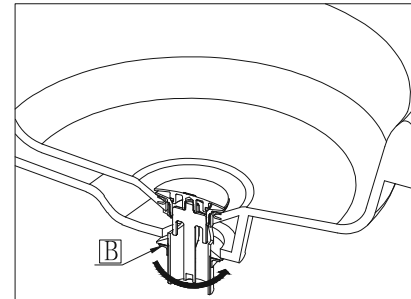
(2) Disassembling of drain  
Please disassemble the drain into Part A, B and C as shown in the figure



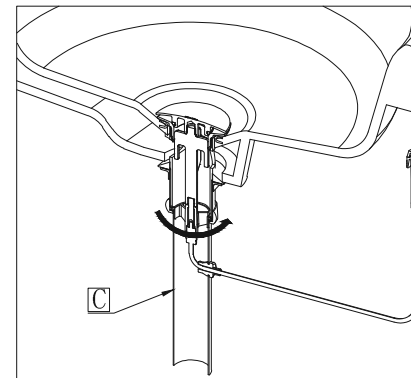
(3) Put Part A from above the drain port of the lavatory.



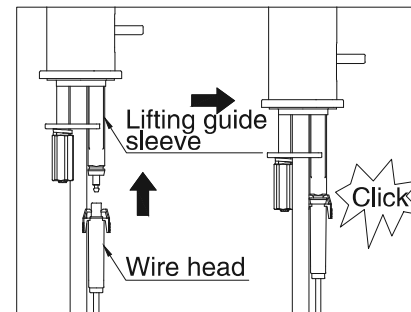
# Installation of Spout



(4) Screw Part B from the bottom of the lavatory into Part A, turn the nut until the upper end of Part B is secured to the lavatory.  
※ Please don't forget the gasket in the middle of Part B.

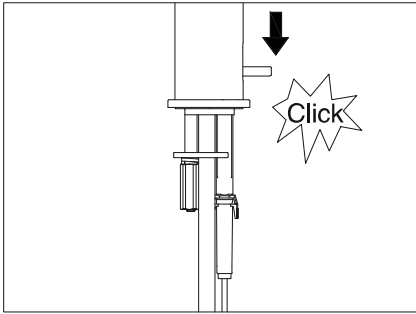


(5) After the nut of Part C is aligned with the lower end thread of Part A, turn the nut in Part C until it is tightened.

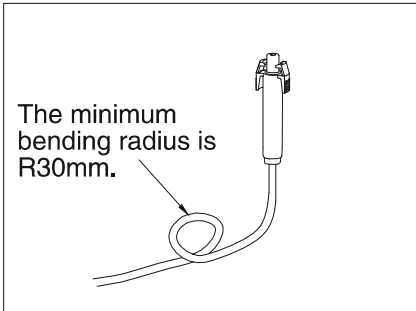


(6) Connecting part installation (as shown in the figure)  
a. User shall buckle the wire head of the drain assembly into the bottom of the lifting guide sleeve.  
b. Until it clicks.  
**Note: Do not push it with force to avoid any damage.**

# Installation of Spout



(7) Press the drain lift rod until it clicks.  
※ Check if it is well installed:  
Press the drain lift rod and the cover part will pop up, then pull the drain lift rod again and the cover part will closed to stop the water.  
**Note: Do not press it with force to avoid any damage.**



(8) ※ The minimum bending radius of the drain rubber wire is R30mm.

TOTO Asia Oceania Pte. Ltd.

Telephone: 65-6744-6955

FAX: 65-6841-0819

Address : 10 Eunos Road 8 #12-07 Singapore Post Centre  
Singapore 408600

Website: [asia.toto.com](http://asia.toto.com)

TOTO KOREA LTD.

전화번호 : (02)-3141-8236

FAX 번호 : (02)-3141-8240

주소 : 서울시 마포구 상수동 351-16번지 로이코빌딩 3층

홈페이지 : <http://www.totokr.co.kr>